

Fluid Outlet Filter

307273ZAG

EN

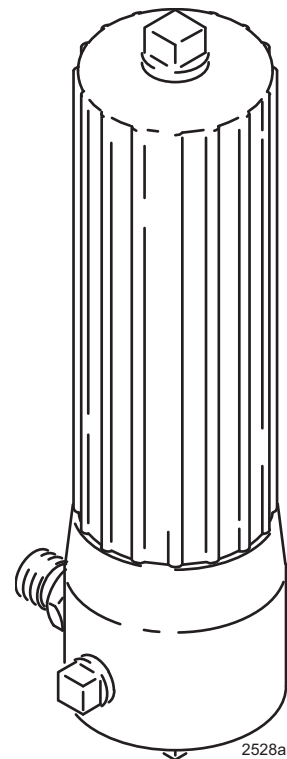
For filtering of finishing materials. For professional use only.

See page 3 for model information, including maximum working pressure and approvals.



Important Safety Instructions

Read all warnings and instructions in this manual before using the equipment.
Save these instructions.



Model 214570 shown



Contents







Contents	2	Kits and Accessories	27
Models	3	High Pressure Ball Valves	27
Warnings	4	Stainless Steel Screens	27
Installation	6	Optional Filter Support	27
Operation	6	Technical Specifications	28
Pressure Relief Procedure	6	California Proposition 65	28
Maintenance	6	Graco Standard Warranty	30
Cleaning the Filter	6		
Parts	8		
Model 214570, Series B	8		
Model 236789, Series A	8		
Model 218029, Series B	9		
Model 241317, Series A	9		
Model 24V925, Series A	9		
Model 24T914, Series A	9		
Model 223160, Series B	10		
Model 24A587, Series B	10		
Model 239800, Series A	11		
Model 240183, Series A	12		
Model 26A069, Series A	12		
Model 238782, Series A	13		
Model 248851, Series A	13		
Model 239060, Series A	14		
Model 239244, Series A	15		
Model 239962, Series A	16		
Model 239964, Series A	17		
Model 239063, Series A	18		
Model 24F658, Series A	19		
Model 239963, Series A	20		
Model 239961, Series A	21		
Model 240169, Series A	22		
Model 240170, Series A	23		
Model 239286, Series A	24		
Model 237481, Series A	25		
Model 241107, Series A	25		
Model 24F620, Series A	26		
Model 24U609, Series A	26		
Model 26B236, Series A	27		

Models

Part	Series	Description	Outlet Size	Maximum Working Pressure psi (MPa, bar)
214570	B	Aluminum bowl, polyethylene support	1/4 npt	3000 psi (21 MPa, 210 bar)
236789	A	Aluminum bowl, polyethylene support	3/8 npt	3000 psi (21 MPa, 210 bar)
237481	A	Aluminum bowl, polyethylene support	3/8 npt	3000 psi (21 MPa, 210 bar)
239286	A	Aluminum bowl, polyethylene support	1/4 npt	3000 psi (21 MPa, 210 bar)
218029	B	Carbon steel bowl, polyethylene support	1/4 npt	5000 psi (35 MPa, 350 bar)
239060	A	Carbon steel bowl, polyethylene support	1/4 npt	5000 psi (35 MPa, 350 bar)
24F620	A	Carbon steel bowl, polyethylene support	1/4 npt	5000 psi (35 MPa, 350 bar)
239244	A	Carbon steel bowl, polyethylene support	1/4 npt	5000 psi (35 MPa, 350 bar)
241317	B	Carbon steel bowl, polyethylene support	1/4 npt	5000 psi (35 MPa, 350 bar)
239962	A	Carbon steel bowl, polyethylene support	1/4 npt	5000 psi (35 MPa, 350 bar)
239964	A	Carbon steel bowl, polyethylene support	1/4 npt	5000 psi (35 MPa, 350 bar)
240169	A	Carbon steel bowl, polyethylene support	1/4 npt	5000 psi (35 MPa, 350 bar)
24T914	A	Carbon steel bowl, polyethylene support	1/4 npt	5000 psi (35 MPa, 350 bar)
241107	A	Carbon steel bowl, polyethylene support	3/8 npt	5000 psi (35 MPa, 350 bar)
223160	B	Stainless steel bowl, polyethylene support	1/4 npt	5000 psi (35 MPa, 350 bar)
24A587	B	Stainless steel bowl, polyethylene support	1/4 npt	5000 psi (35 MPa, 350 bar)
239063	A	Stainless steel bowl, polyethylene support	1/4 npt	5000 psi (35 MPa, 350 bar)
239300	A	Stainless steel bowl, polyethylene support	1/4 npt	5000 psi (35 MPa, 350 bar)
239800	A	Stainless steel bowl, polyethylene support	1/4 npt	5000 psi (35 MPa, 350 bar)
239961	A	Stainless steel bowl, polyethylene support	1/4 npt	5000 psi (35 MPa, 350 bar)
239963	A	Stainless steel bowl, polyethylene support	1/4 npt	4000 psi (28 MPa, 280 bar)
240170	A	Stainless steel bowl, polyethylene support	1/4 npt	5000 psi (35 MPa, 350 bar)
238782	A	Stainless steel bowl, polyethylene support	3/8 npt	5000 psi (35 MPa, 350 bar)
248851	A	Stainless steel bowl, polyethylene support	3/8 npt	5000 psi (35 MPa, 350 bar)
240183	A	Stainless steel bowl, polyethylene support	1/2 npt	5000 psi (35 MPa, 350 bar)
24F658	A	Stainless steel bowl, polyethylene support	1/2 npt	5000 psi (35 MPa, 350 bar)
24U609	A	Stainless steel bowl, polyethylene support	1/2 npt	5000 psi (35 MPa, 350 bar)
24V925	A	Carbon steel bowl, polyethylene support	1/4 npt	5000 psi (35 MPa, 350 bar)
26A069	A	316 sst bowl, polyethylene support	1/4 npt	5000 psi (35 MPa, 350 bar)
26B236	A	Stainless steel bowl, polyethylene support	1/4 npt	5000 psi (35 MPa, 350 bar)





Warnings

The following warnings are for the setup, use, grounding, maintenance, and repair of this equipment. The exclamation point symbol alerts you to a general warning and the hazard symbols refer to procedure-specific risks. When these symbols appear in the body of this manual or on warning labels, refer back to these Warnings. Product-specific hazard symbols and warnings not covered in this section may appear throughout the body of this manual where applicable.

 <h2 style="margin: 0;">WARNING</h2>	
    	<p>SKIN INJECTION HAZARD</p> <p>High-pressure fluid from gun, hose leaks, or ruptured components will pierce skin. This may look like just a cut, but it is a serious injury that can result in amputation. Get immediate surgical treatment.</p> <ul style="list-style-type: none"> • Do not spray without tip guard and trigger guard installed. • Engage trigger lock when not spraying. • Do not point gun at anyone or at any part of the body. • Do not put your hand over the spray tip. • Do not stop or deflect leaks with your hand, body, glove, or rag. • Follow the Pressure Relief Procedure when you stop spraying and before cleaning, checking, or servicing equipment. • Tighten all fluid connections before operating the equipment. • Check hoses and couplings daily. Replace worn or damaged parts immediately.



WARNING

	<p>EQUIPMENT MISUSE HAZARD Misuse can cause death or serious injury.</p> <ul style="list-style-type: none"> Do not operate the unit when fatigued or under the influence of drugs or alcohol. Do not exceed the maximum working pressure or temperature rating of the lowest rated system component. See Technical Specifications in all equipment manuals. Use fluids and solvents that are compatible with equipment wetted parts. See Technical Specifications in all equipment manuals. Read fluid and solvent manufacturer's warnings. For complete information about your material, request Safety Data Sheets (SDSs) from distributor or retailer. Do not leave the work area while equipment is energized or under pressure. Turn off all equipment and follow the Pressure Relief Procedure when equipment is not in use. Check equipment daily. Repair or replace worn or damaged parts immediately with genuine manufacturer's replacement parts only. Do not alter or modify equipment. Alterations or modifications may void agency approvals and create safety hazards. Make sure all equipment is rated and approved for the environment in which you are using it. Use equipment only for its intended purpose. Call your distributor for information. Route hoses and cables away from traffic areas, sharp edges, moving parts, and hot surfaces. Do not kink or over bend hoses or use hoses to pull equipment. Keep children and animals away from work area. Comply with all applicable safety regulations.
	<p>TOXIC FLUID OR FUMES HAZARD Toxic fluids or fumes can cause serious injury or death if splashed in the eyes or on skin, inhaled, or swallowed.</p> <ul style="list-style-type: none"> Read Safety Data Sheets (SDSs) to know the specific hazards of the fluids you are using. Store hazardous fluid in approved containers, and dispose of it according to applicable guidelines.
	<p>PRESSURIZED ALUMINUM PARTS HAZARD Use of fluids that are incompatible with aluminum in pressurized equipment can cause serious chemical reaction and equipment rupture. Failure to follow this warning can result in death, serious injury, or property damage.</p> <ul style="list-style-type: none"> Do not use 1,1,1-trichloroethane, methylene chloride, other halogenated hydrocarbon solvents or fluids containing such solvents. Do not use chlorine bleach. Many other fluids may contain chemicals that can react with aluminum. Contact your material supplier for compatibility.
	<p>PERSONAL PROTECTIVE EQUIPMENT Wear appropriate protective equipment when in the work area to help prevent serious injury, including eye injury, hearing loss, inhalation of toxic fumes, and burns. Protective equipment includes but is not limited to:</p> <ul style="list-style-type: none"> Protective eyewear, and hearing protection. Respirators, protective clothing, and gloves as recommended by the fluid and solvent manufacturer.



Installation

Install a suitable adapter in the filter inlet. See **Technical Specifications** for fluid inlet size. Then install the filter downstream from the pump fluid outlet.

Install a suitable adapter in the filter outlet. See **Technical Specifications** for fluid outlet size. Connect the spray hose to the filter outlet.

Operation

Pressure Relief Procedure

				
<p>The system pressure must be manually relieved to prevent the system from starting or spraying accidentally. Fluid under high pressure can be injected through the skin and cause serious injury. To reduce the risk of an injury from injection, splashing fluid, or moving parts, follow the Pressure Relief Procedure whenever you:</p> <ul style="list-style-type: none"> • are instructed to relieve the pressure, • stop spraying, • check or service any of the system equipment, • install or clean the spray tip. 				

1. Lock the gun trigger safety.
2. Turn off the power to the pump.
3. Close any bleed-type master air valves.
4. Unlock the gun trigger safety.
5. Hold a metal part of the gun firmly to the side of a grounded metal pail, and trigger the gun to relieve pressure.
6. Lock the gun trigger safety.
7. Open the system drain valve(s), having a container ready to catch the drainage.

NOTE: Some models are supplied with a drain valve (12). Refer to the parts list for your model.

8. Leave the drain valve(s) open until you are ready to spray again.

If you suspect that the spray tip or hose is completely clogged, or that pressure has not been fully relieved after following the steps above, **very slowly** loosen the tip guard retaining nut or hose end coupling and relieve pressure gradually, then loosen completely. Now clear the tip or hose.

Maintenance

Cleaning the Filter

Dried paint sediment can clog the filter screen and greatly reduce filtering ability. Dried paint also makes the filter difficult to remove. Clean the filter regularly; daily if needed, following the procedure below.

NOTICE
<p>To avoid damaging parts, never force them apart. If any parts are stuck tightly together, soak them in a compatible solvent before disassembling them. Be careful not to drop or damage the filter housing and bowl. Dirt, paint sediment, nicks or scratches may prevent the o-ring (3) from seating properly.</p>

 WARNING
<p>To reduce the risk of serious injury whenever you are instructed to relieve pressure, always follow the Pressure Relief Procedure on page 5.</p>

1. Relieve the pressure.
2. Carefully remove the drain plug (1) from the bottom of the filter bowl (7) to drain the fluid.

NOTE: Some models are supplied with a drain valve (12). Refer to the parts list for your model. The drain plug not used with Model 241107.

3. Unscrew the bowl from the filter housing (9).
4. Pull the screen (5) straight out of the bowl. (See **Kits and Accessories** for other available screens.)
5. Remove the compression spring (8) from the filter bowl (7).
6. To remove the filter support (6), gently push in on the filter support stud. Replace the filter support if the ridges are worn.

7. Clean all parts thoroughly with a compatible solvent.
8. Place the filter support (6) in the screen (5) so the support stud fits through the small opening in the bottom of the screen.
9. Press fit the compression spring (8) to the bottom of the filter bowl (7).
10. Carefully install the filter support (6) and screen (5) into the filter bowl (7).

NOTICE

Improper assembly of the filter support, screen, and spring will prevent filtering and damage parts.

11. Replace the o-ring (3) if damaged or worn. Lubricate the o-ring with No. 2 grease. Bend it into a kidney shape, then carefully push it into the groove to avoid damaging it.
12. Lubricate the filter bowl (7) threads and screw it firmly into the housing (9).

NOTE: Be sure the bottom drain plug or drain valve is closed before starting the pump.

Model 214570, 236789: Apply PTFE tape to all non-swiveling pipe threads.

All other models: Apply anaerobic pipe sealant to all non-swiveling pipe threads.

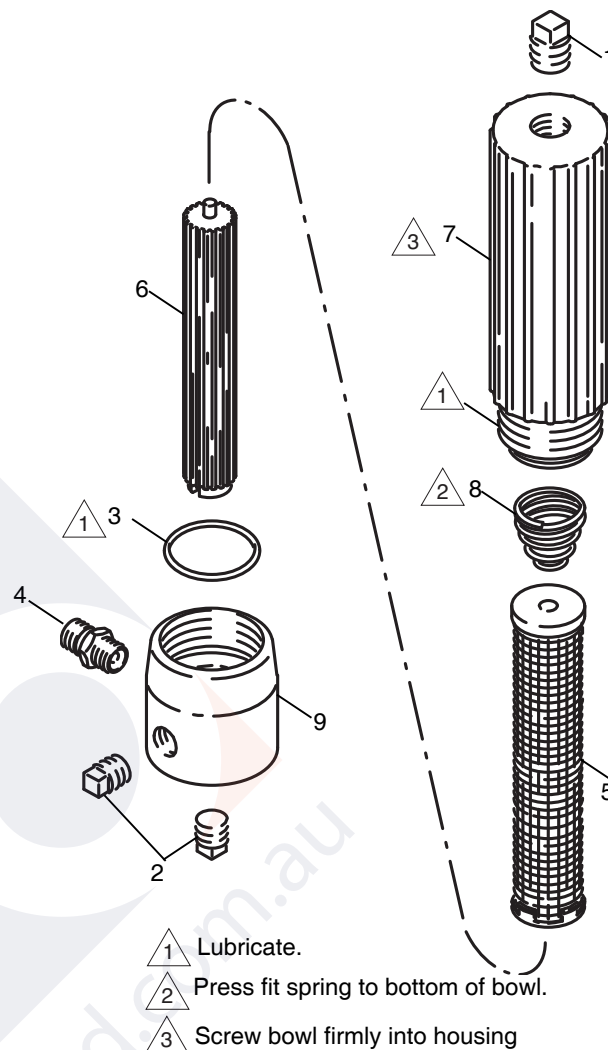
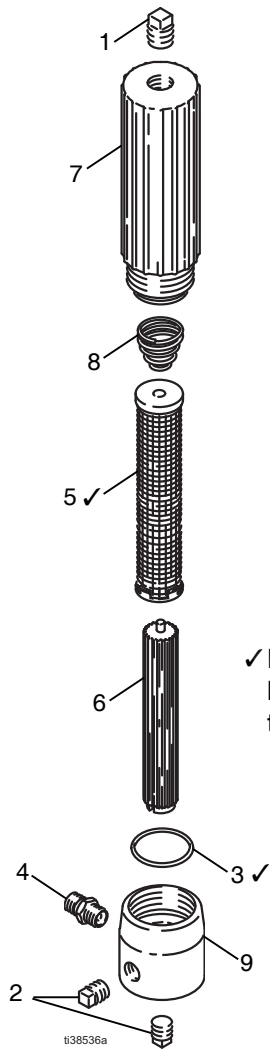


FIG. 1: Model 214570 shown

Parts

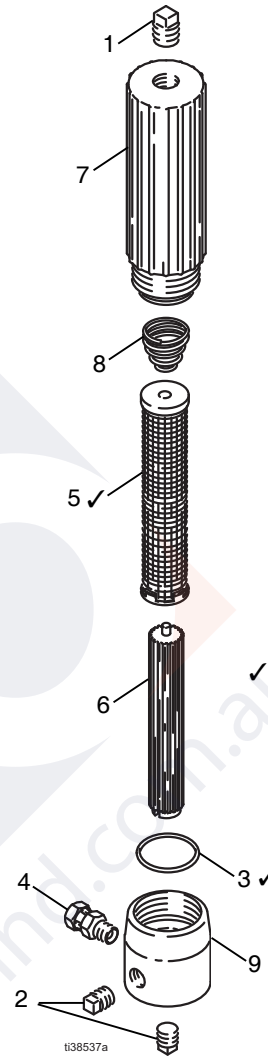
Model 214570, Series B



✓ Keep these parts on hand to reduce down time.

FIG. 2: Model 214570

Model 236789, Series A



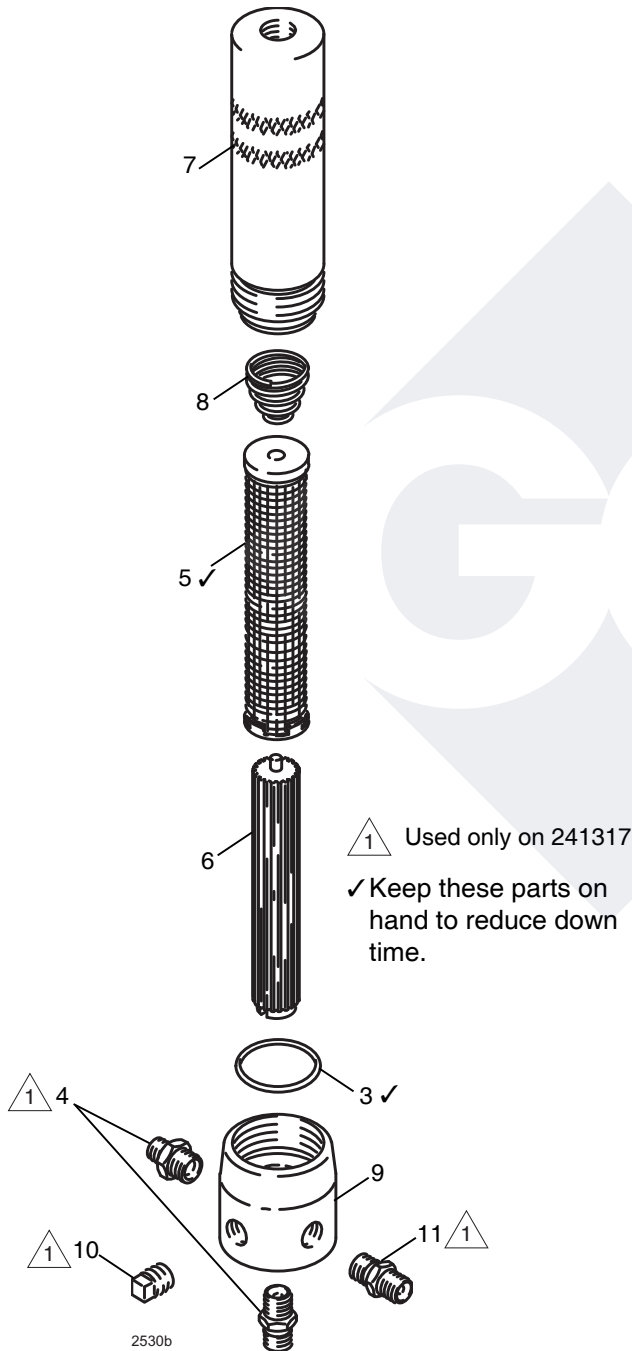
✓ Keep these parts on hand to reduce down time.

FIG. 3: Model 236789

Ref.	Part	Description	Qty.
1	100040	PLUG; 3/8 npt; steel or iron	1
2	100509	PLUG; 1/4 npt; iron	2
3✓	104361	O-RING; PTFE	1
4	162453	NIPPLE; 1/4 npsm x 1/4 npt	1
5✓	167025	SCREEN, stainless steel; 60 mesh	1
6	186075	SUPPORT, filter; polyethylene	1
7	172831	BOWL, filter; aluminum	1
8	171941	SPRING, compression; stainless steel	1
9	171942	HOUSING, filter; carbon steel	1

Ref.	Part	Description	Qty.
1	100040	PLUG; 3/8 npt; steel or iron	1
2	100509	PLUG; 1/4 npt; iron	2
3✓	104361	O-RING; PTFE	1
4	155665	SWIVEL	1
5✓	167025	SCREEN, stainless steel; 60 mesh	1
6	186075	SUPPORT, filter; polyethylene	1
7	172831	BOWL, filter; aluminum	1
8	171941	SPRING, compression; stainless steel	1
9	188562	HOUSING, filter; carbon steel	1

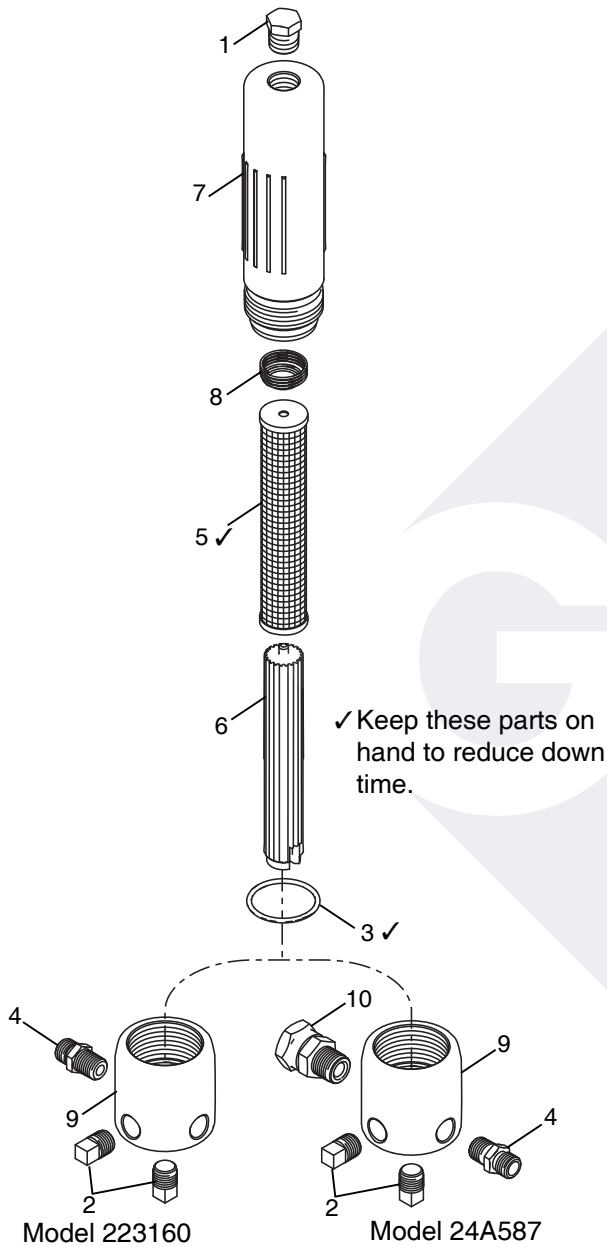
Model 218029, Series B
Model 241317, Series A
Model 24V925, Series A
Model 24T914, Series A



Ref.	Part	Description	Qty.
3✓	104361	O-RING; PTFE	1
4	162453	NIPPLE; 1/4 npsm x 1/4 npt	2
5✓	167025	SCREEN, stainless steel; 60 mesh (Models 218029 and 241317 only)	1
	167024	SCREEN, stainless steel; 30 mesh (Model 24T914 only)	1
	167026	SCREEN, stainless steel; 100 mesh (Model 24V925 only)	1
6	186075	SUPPORT, filter; polyethylene	1
7	24C501	BOWL, filter; carbon steel. Model 218029, 24V925, and 24T914.	1
	246582	BOWL, filter; stainless steel. Model 241317.	1
8	171941	SPRING, compression; stainless steel	1
9	171942	HOUSING, filter; carbon steel	1
10	100509	PLUG, pipe; 1/4 npt	1
11	157350	ADAPTER, 3/8 npt x 1/4 npt	1

FIG. 4: Models 218029, Series B, 241317, Series A, Model 24V925, Series A, Model 24T914, Series A

Model 223160, Series B
Model 24A587, Series B

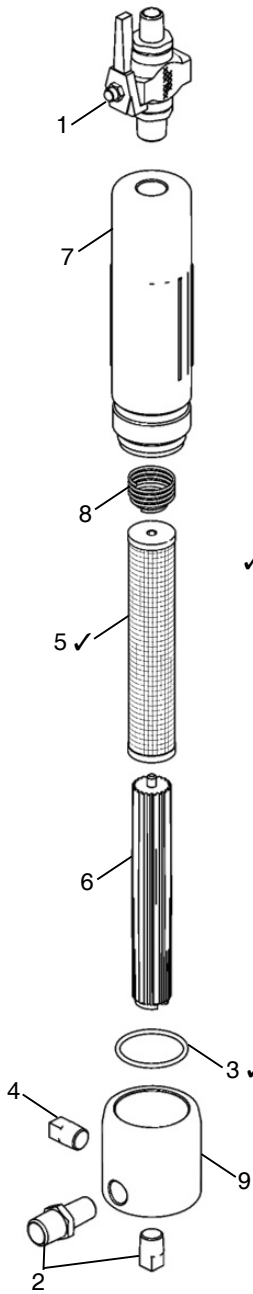


Ref.	Part	Description	Qty
1	110740	PLUG; 3/8 npt; stainless steel	1
2	111697	PLUG; 1/4 npt; stainless steel	2
3✓	104361	O-RING; PTFE	1
4	166846	NIPPLE; 1/4 npsm x 1/4 npt; stainless steel	1
5✓	167025	SCREEN, stainless steel; 60 mesh	1
6	186075	SUPPORT, filter; polyethylene	1
7	185632	BOWL, filter; stainless steel	1
8	171941	SPRING, compression; stainless steel	1
9	185631	HOUSING, filter; stainless steel	1
10	235208	SWIVEL, 3/8-18 npsm x 3/8-18 npt (Model 24A587)	1

FIG. 5: Models 223160, Series B and 24A587, Series B

Model 239800, Series A

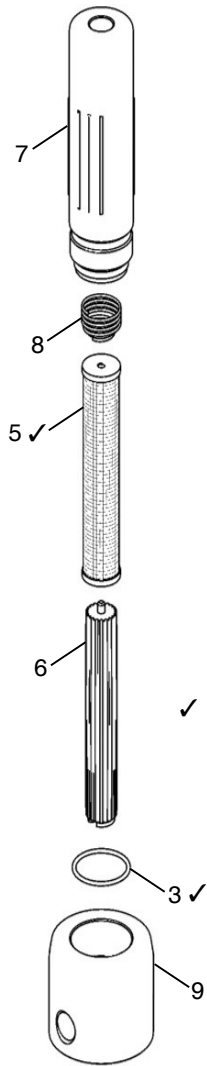
Ref.	Part	Description	Qty.
1	235992	VALVE, ball; 3/8 npt (mbe); stainless steel	1
2	111697	PLUG; 1/4 npt; stainless steel	2
3✓	104361	O-RING; PTFE	1
4	164856	ADAPTER; 3/8 npt x 1/4 npt (mbe); stainless steel	1
5✓	167026	SCREEN, stainless steel; 100 mesh	1
6	186075	SUPPORT, filter; polyethylene	1
7	185632	BOWL, filter; stainless steel	1
8	171941	SPRING, compression; stainless steel	1
9	185631	HOUSING, filter; stainless steel	1



✓ Keep these parts on hand to reduce down time.

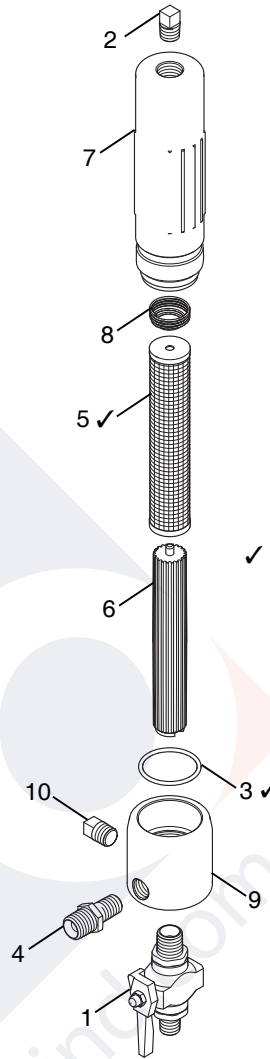
FIG. 6: Model 239800, Series A

Model 240183, Series A



✓ Keep these parts on hand to reduce down time.

Model 26A069, Series A



✓ Keep these parts on hand to reduce down time.

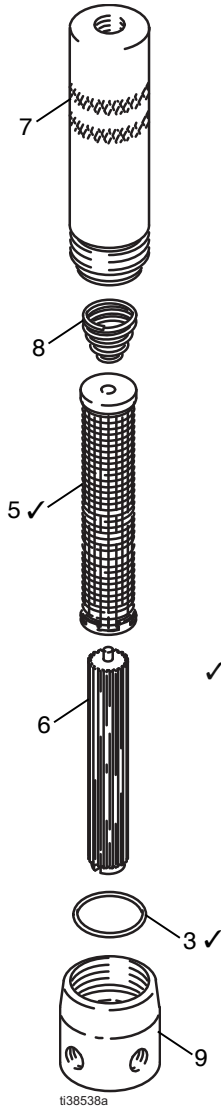
FIG. 7: Model 240183, Series A

Ref.	Part	Description	Qty.
3✓	104361	O-RING; PTFE	1
5✓	167025	SCREEN, stainless steel; 60 mesh	1
6	186075	SUPPORT, filter; polyethylene	1
7	185632	BOWL, filter; stainless steel	1
8	171941	SPRING, compression; stainless steel	1
9	192975	HOUSING, filter; stainless steel	1

FIG. 8: Model 26A069, Series A

Ref.	Part	Description	Qty.
1	26A078	VALVE, ball; 3/8 npt (mbe); stainless steel	1
2	110740	PLUG; 3/8 npt; stainless steel	1
3✓	104361	O-RING; PTFE	1
4	17K786	ADAPTER; 3/8 npt x 1/4 npt (mbe); stainless steel	1
5✓	17K787	SCREEN, stainless steel; 100 mesh	1
6	186075	SUPPORT, filter; polyethylene	1
7	17K788	BOWL, filter; stainless steel	1
8	17K789	SPRING, compression; stainless steel	1
9	17K790	HOUSING, filter; stainless steel	1
10	101970	PLUG, 1/4npt, stainless steel	1

Model 238782, Series A



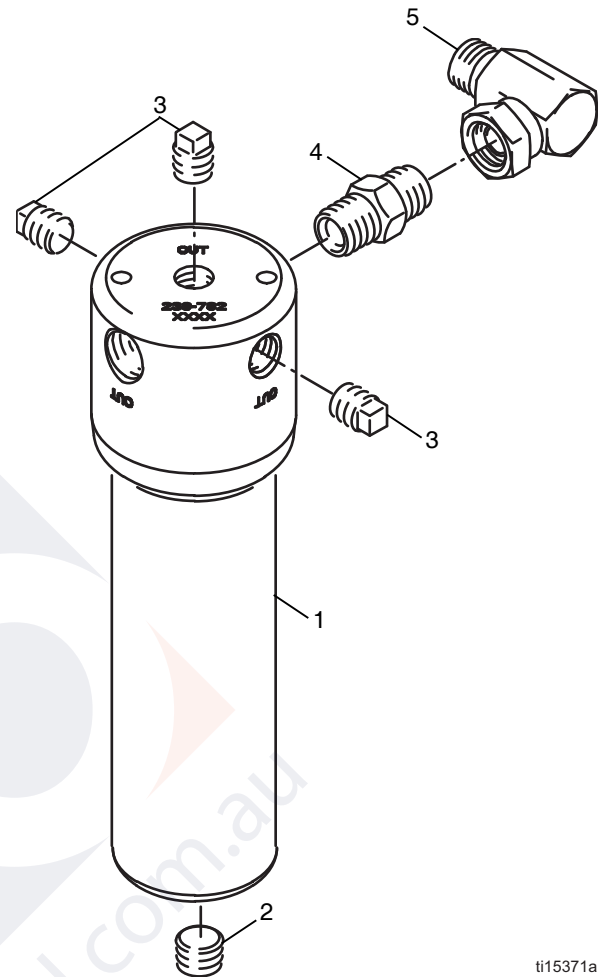
✓ Keep these parts on hand to reduce down time.

ti38538a

FIG. 9: Model 238782, Series A

Ref.	Part	Description	Qty.
3✓	104361	O-RING; PTFE	1
5✓	167024	SCREEN, stainless steel; 30 mesh	1
6	186075	SUPPORT, filter; polyethylene	1
7	196290	BOWL, filter; stainless steel	1
8	171941	SPRING, compression; stainless steel	1
9	193331	HOUSING, filter; stainless steel	1

Model 248851, Series A

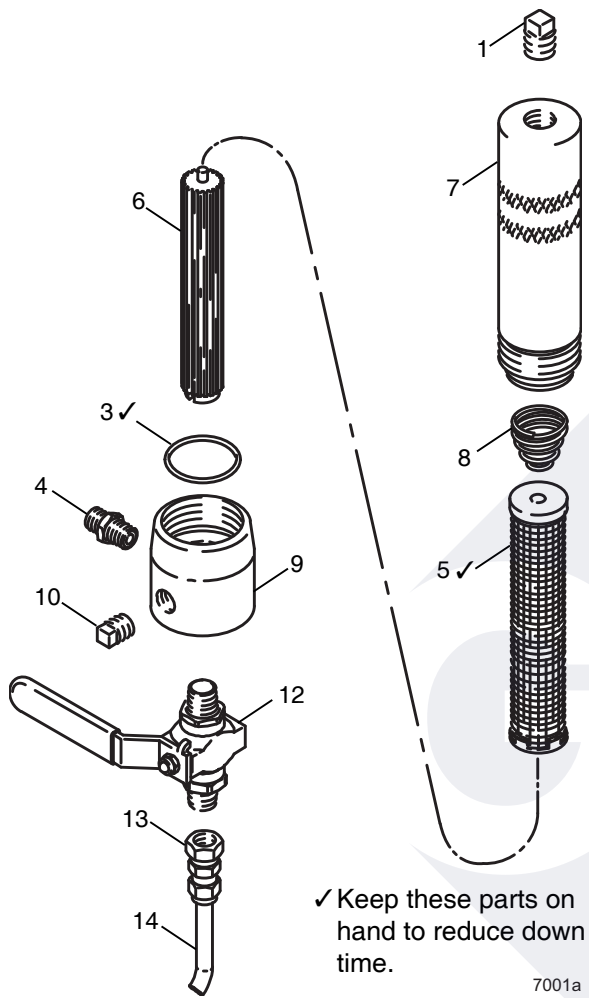


ti15371a

FIG. 10: Model 248851, Series A

Ref.	Part	Description	Qty.
1	238782	FLUID FILTER ASSEMBLY; see parts at left	1
2	101748	PLUG; 3/8 npt; stainless steel	1
3	111697	PLUG; 1/4 npt; stainless steel	3
4	166469	NIPPLE; 3/8 npt; stainless steel	1
5	207123	ELBOW, swivel, 90°	1

Model 239060, Series A



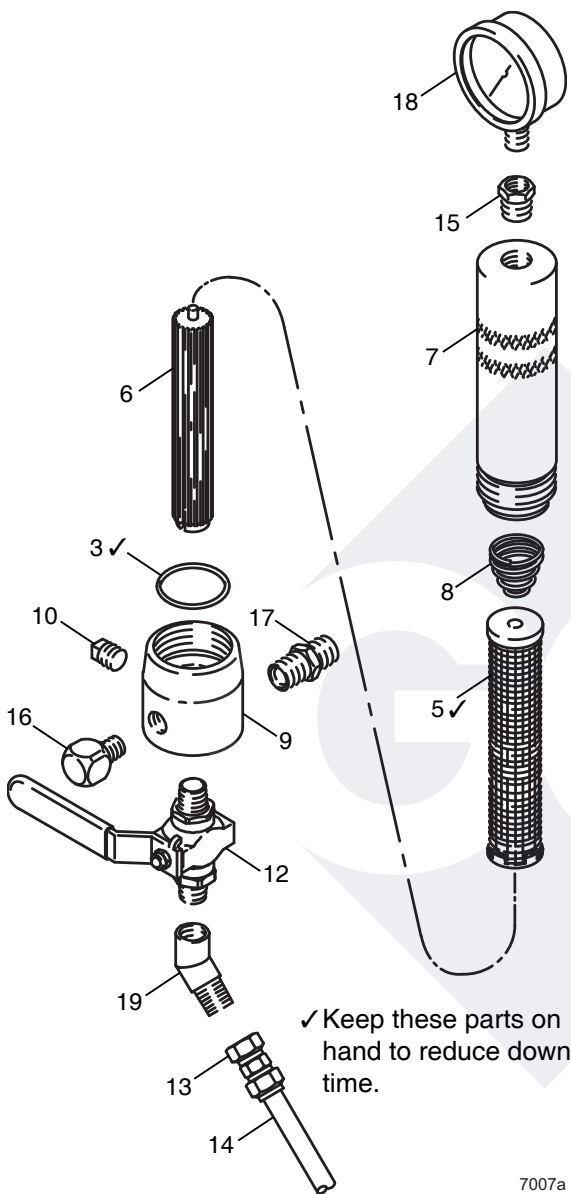
Ref.	Part	Description	Qty.
1	100040	PLUG; 3/8 npt; steel or iron	1
3✓	104361	O-RING; PTFE	1
4	162453	NIPPLE; 1/4 npsm x 1/4 npt; carbon steel	1
5✓	167025	SCREEN, stainless steel; 60 mesh	1
6	186075	SUPPORT, filter; polyethylene	1
7	24C501	BOWL, filter; carbon steel	1
8	171941	SPRING, compression; stainless steel	1
9	171942	HOUSING, filter; carbon steel	1
10	100509	PLUG, pipe; 1/4 npt	1
12	238635	VALVE, ball; 1/4 npt (mbe); carbon steel	1
13	205447	COUPLING; 1/4 npsm(f)	1
14	26B753	TUBE, drain; nylon; 1/4 in. (0.6 mm) ID; 8 in. (203 mm)	1

✓ Keep these parts on hand to reduce down time.

7001a

FIG. 11: Model 239060, Series A

Model 239244, Series A

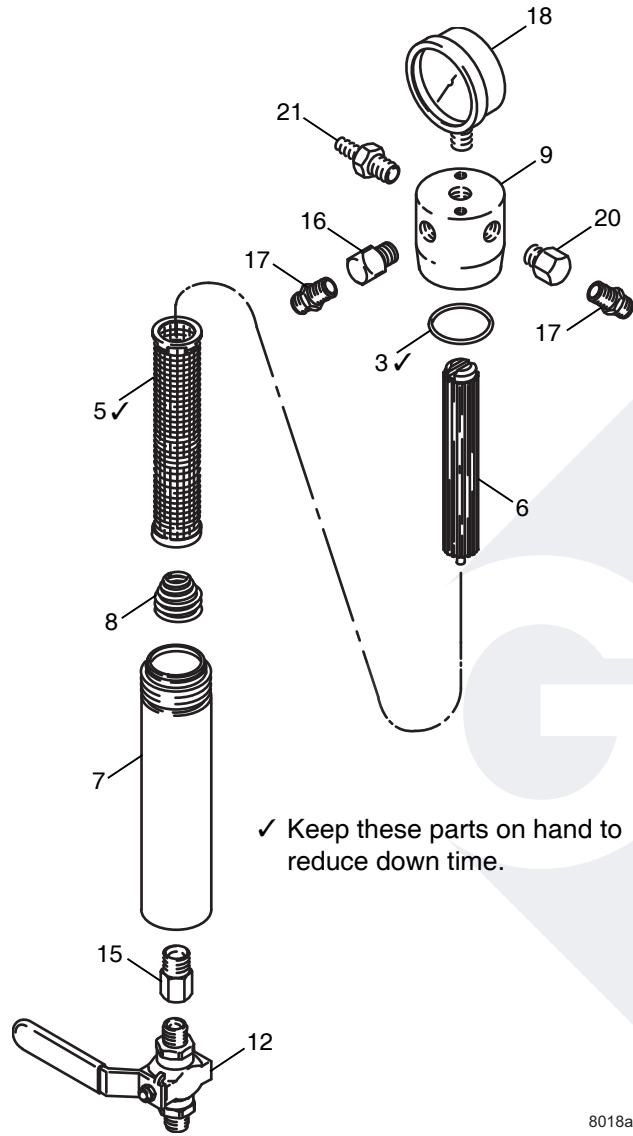


Ref.	Part	Description	Qty.
3✓	104361	O-RING; PTFE	1
5✓	167025	SCREEN, stainless steel; 60 mesh	1
6	186075	SUPPORT, filter; polyethylene	1
7	24C501	BOWL, filter; carbon steel	1
8	171941	SPRING, compression; stainless steel	1
9	171942	HOUSING, filter; carbon steel	1
10	100509	PLUG, pipe; 1/4 npt	1
12	238635	VALVE, ball; 1/4 npt (mbe); carbon steel	1
13	205447	COUPLING; 1/4 npsm(f)	1
14	26B753	TUBE, drain; nylon; 1/4 in. (0.6 mm) ID; 8 in. (203 mm)	1
15	159841	BUSHING; 3/8 npt(m) x 1/4 npt(f)	1
16	100840	ELBOW, 90°, 1/4 npt (m x f); carbon steel	1
17	156849	NIPPLE; 3/8 npt; carbon steel	1
18	102814	GAUGE, pressure	1
19	113444	ELBOW, 45°; 1/4 npt (m x f); brass	1

7007a

FIG. 12: Model 239244, Series A

Model 239962, Series A



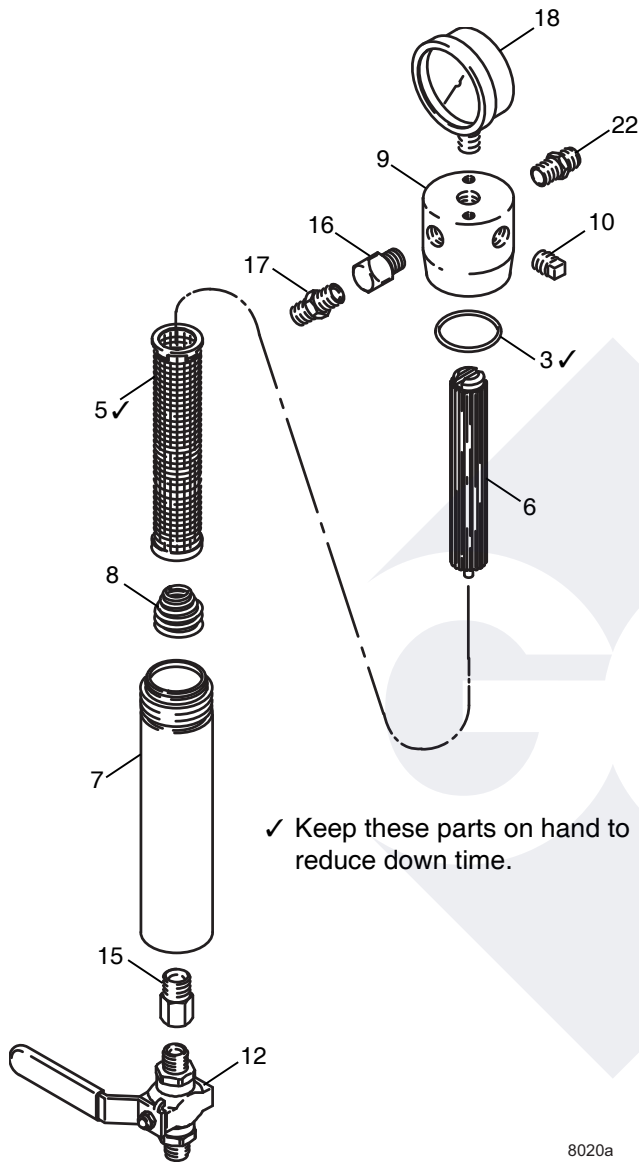
Ref.	Part	Description	Qty.
3✓	104361	O-RING; PTFE	1
5✓	167025	SCREEN, stainless steel; 60 mesh	1
6	186075	SUPPORT, filter; polyethylene	1
7	24C501	BOWL, filter; carbon steel	1
8	171941	SPRING, compression; stainless steel	1
9	171942	HOUSING, filter; carbon steel	1
12	238635	VALVE, ball; 1/4 npt (mbe); carbon steel	1
15	159841	BUSHING; 3/8 npt(m) x 1/4 npt(f)	1
16	100840	ELBOW, 90°; 1/4 npt (m x f); carbon steel	1
17	162453	NIPPLE; 1/4 npt x 1/4 npsm; carbon steel	2
18	102814	GAUGE, pressure	1
20	164259	ELBOW, 90; 3/8 npt(m) x 1/4 npt (f)	1
21	156953	STUD, mounting	1

✓ Keep these parts on hand to reduce down time.

8018a

FIG. 13: Model 239962, Series A

Model 239964, Series A

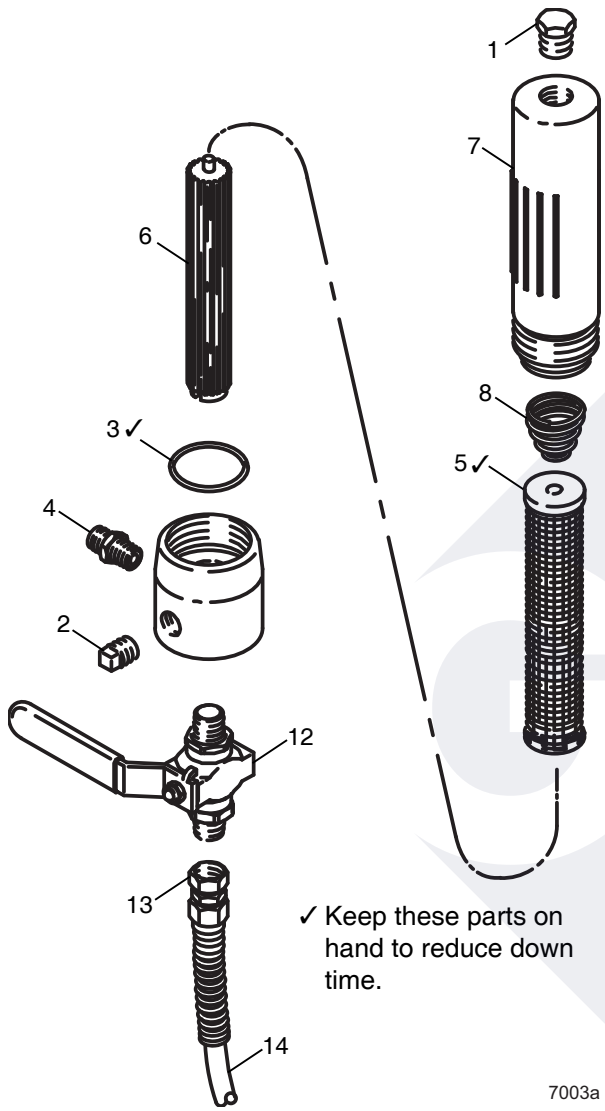


Ref.	Part	Description	Qty.
3✓	104361	O-RING; PTFE	1
5✓	167025	SCREEN, stainless steel; 60 mesh	1
6	186075	SUPPORT, filter; polyethylene	1
7	24C501	BOWL, filter; carbon steel	1
8	171941	SPRING, compression; stainless steel	1
9	171942	HOUSING, filter; carbon steel	1
10	100509	PLUG, pipe; 1/4 npt	1
12	238635	VALVE, ball; 1/4 npt (mbe); carbon steel	1
15	159841	BUSHING; 3/8 npt(m) x 1/4 npt(f)	1
16	100840	ELBOW, 90°; 1/4 npt (m x f); carbon steel	1
17	162453	NIPPLE; 1/4 npt x 1/4 npsm; carbon steel	1
18	102814	GAUGE, pressure	1
22	156849	NIPPLE; 3/8 npt; carbon steel	1

8020a

FIG. 14: Model 239964, Series A

Model 239063, Series A



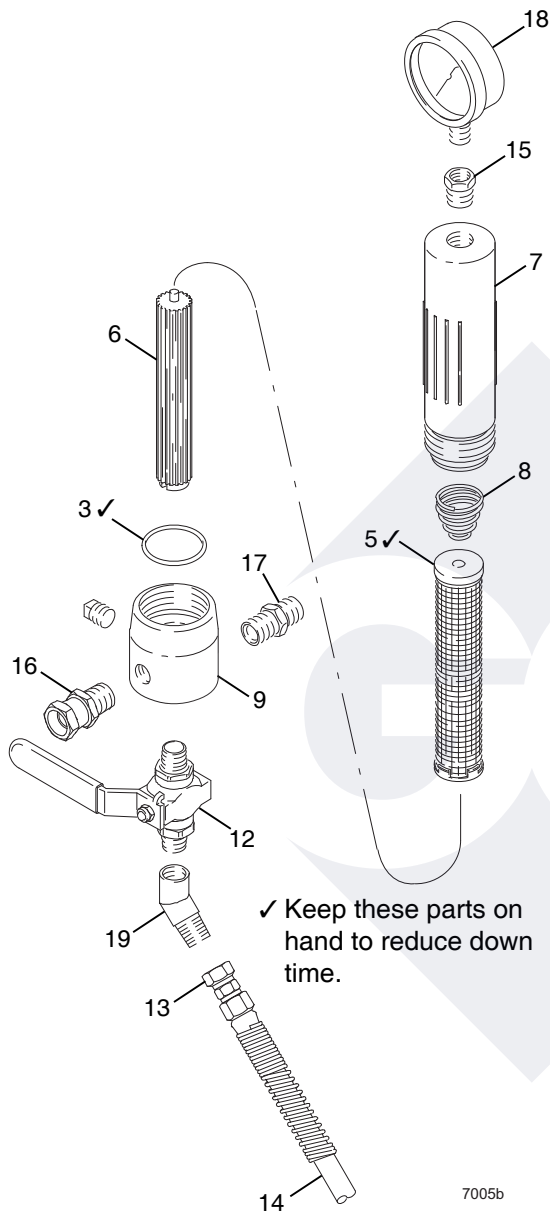
Ref.	Part	Description	Qty.
1	110740	PLUG; 3/8 npt; stainless steel	1
2	111697	PLUG; 1/4 npt; stainless steel	2
3✓	104361	O-RING; PTFE	1
4	166846	NIPPLE; 1/4 npsm x 1/4 npt; stainless steel	1
5✓	167025	SCREEN, stainless steel; 60 mesh	1
6	186075	SUPPORT, filter; polyethylene	1
7	185632	BOWL, filter; stainless steel	1
8	171941	SPRING, compression; stainless steel	1
9	185631	HOUSING, filter; stainless steel	1
12	239018	VALVE, ball; 1/4 npt (mbe); stainless steel	1
13	111913	COUPLING; 1/4 npsm(f)	1
14	26B753	TUBE, drain; nylon; 1/4 in. (0.6 mm) ID; 8 in. (203 mm)	1

✓ Keep these parts on hand to reduce down time.

7003a

FIG. 15: Model 239063, Series A

Model 24F658, Series A



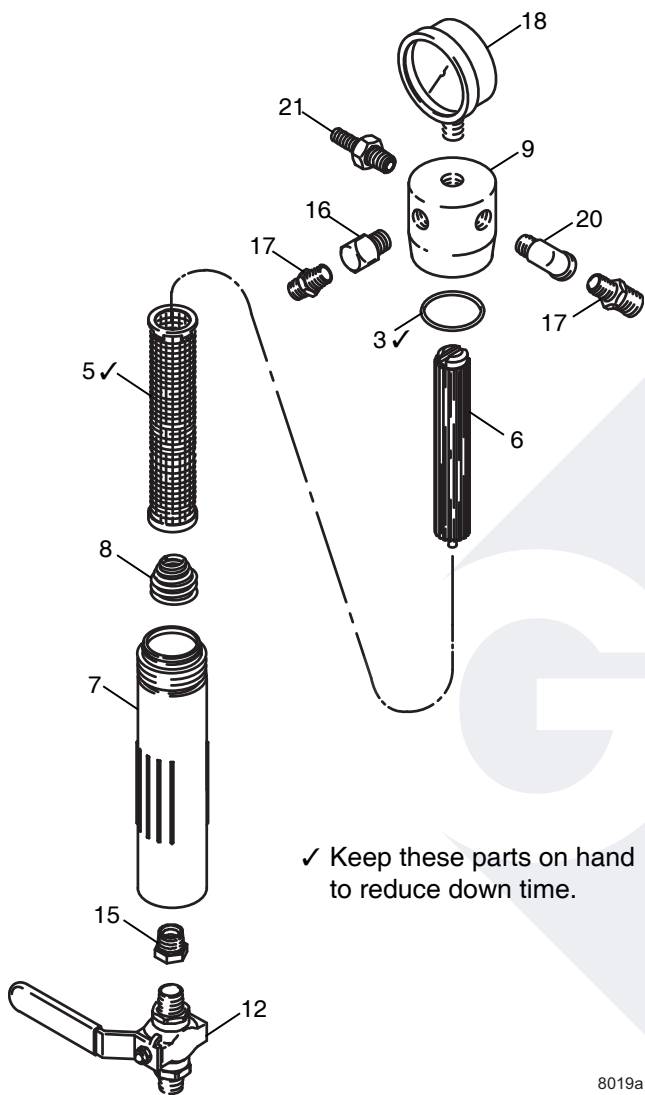
Ref.	Part	Description	Qty.
3✓	104361	O-RING; PTFE	1
5✓	167025	SCREEN, stainless steel; 60 mesh	1
6	186075	SUPPORT, filter; polyethylene	1
7	185632	BOWL, filter; stainless steel	1
8	171941	SPRING, compression; stainless steel	1
9	192975	HOUSING, filter; stainless steel	1
12	239018	VALVE, ball; 1/4 npt (mbe); stainless steel	1
13	111913	COUPLING; 1/4 npsm(f)	1
14	26B753	TUBE, drain; nylon; 1/4 in. (0.6 mm) ID; 8 in. (203 mm)	1
15	168160	BUSHING; 3/8 npt(m) x 1/4 npt(f)	1
16	15M859	FITTING, adapter, swivel; 1/2 npt (m) x 1/2 npsm (f); stainless steel	1
17	114572	NIPPLE; 1/2 npt x 1/2 npsm; stainless steel	1
18	112941	GAUGE, pressure	1
19	113933	ELBOW, 45°; npt (m x f); stainless steel	1

✓ Keep these parts on hand to reduce down time.

7005b

FIG. 16: Model 24F658, Series A

Model 239963, Series A



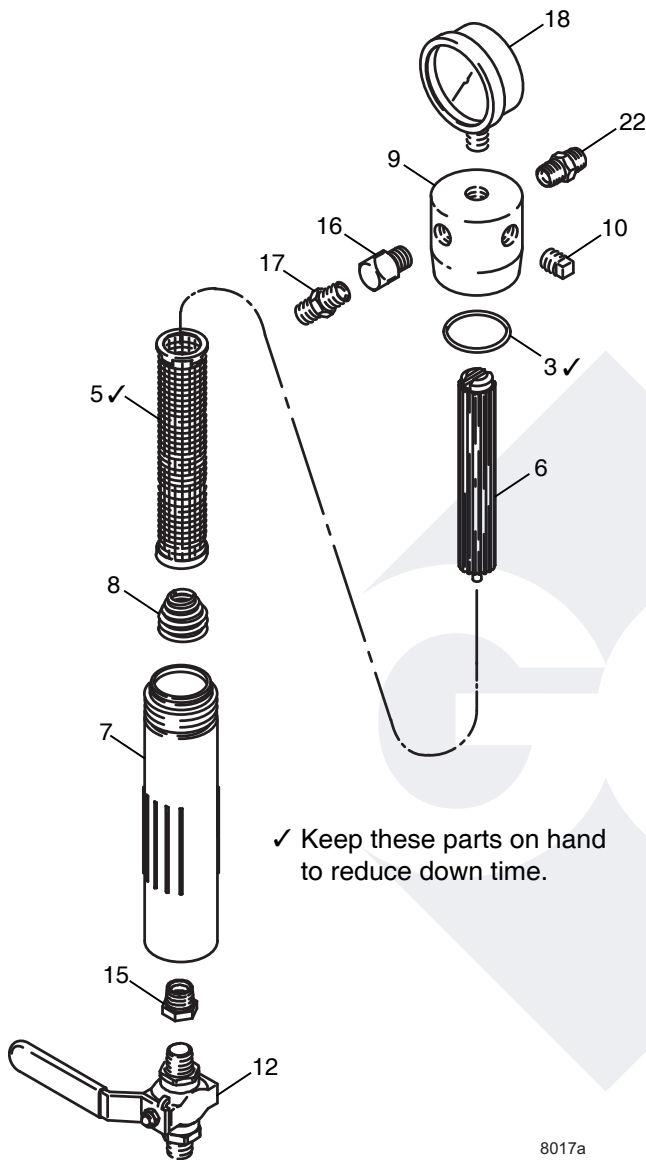
✓ Keep these parts on hand to reduce down time.

8019a

Ref.	Part	Description	Qty.
3✓	104361	O-RING; PTFE	1
5✓	167025	SCREEN, stainless steel; 60 mesh	1
6	186075	SUPPORT, filter; polyethylene	1
7	185632	BOWL, filter; stainless steel	1
8	171941	SPRING, compression; stainless steel	1
9	185631	HOUSING, filter; stainless steel	1
12	239018	VALVE, ball; 1/4 npt (mbe); stainless steel	1
15	168160	BUSHING; 3/8 npt(m) x 1/4 npt(f)	1
16	166866	ELBOW, 90°; 1/4 npt (m x f); stainless steel	1
17	166846	NIPPLE; 1/4 npt x 1/4 npsm; stainless steel	1
18	112941	GAUGE, pressure	1
20	112026	ELBOW, 90°; 3/8 npt (m x f)	1
21	192661	STUD, mounting	1
22	113070	NIPPLE; 3/8 x 1/4 npt; stainless steel	1

FIG. 17: Model 239963, Series A

Model 239961, Series A

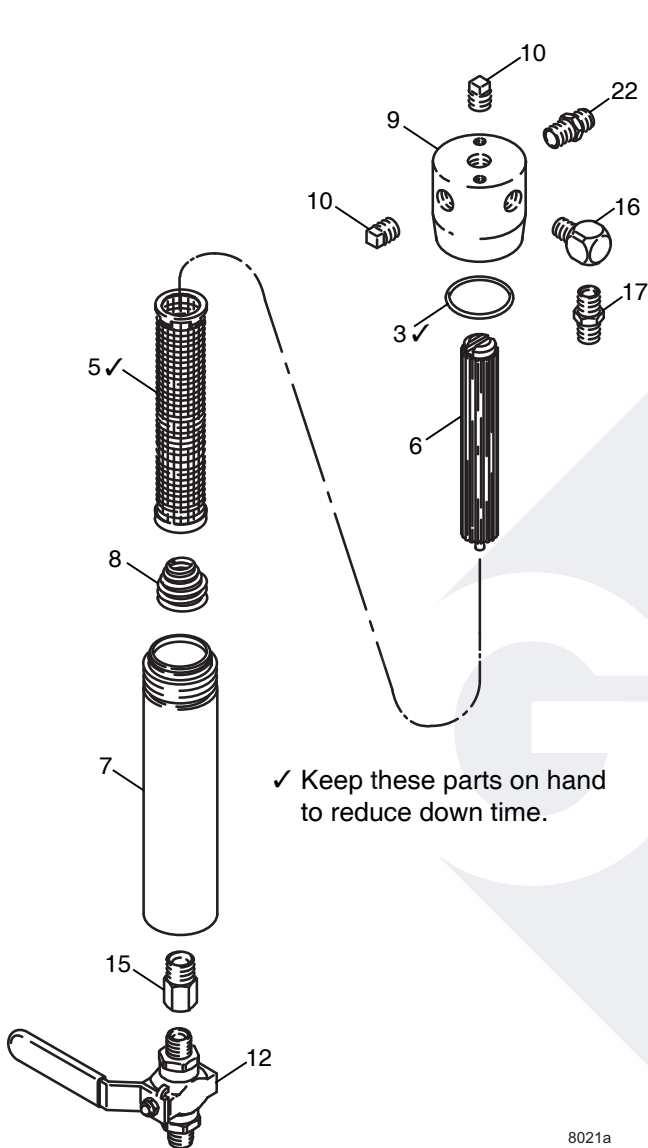


Ref.	Part	Description	Qty.
3✓	104361	O-RING; PTFE	1
5✓	167025	SCREEN, stainless steel; 60 mesh	1
6	186075	SUPPORT, filter; polyethylene	1
7	185632	BOWL, filter; stainless steel	1
8	171941	SPRING, compression; stainless steel	1
9	185631	HOUSING, filter; stainless steel	1
10	111697	PLUG; 1/4 npt; stainless steel	1
12	239018	VALVE, ball; 1/4 npt (mbe); stainless steel	1
15	168160	BUSHING; 3/8 npt(m) x 1/4 npt(f)	1
16	166866	ELBOW, 90°; 1/4 npt (m x f); stainless steel	1
17	166846	NIPPLE; 1/4 npt x 1/4 npsm; stainless steel	2
18	112941	GAUGE, pressure	1
22	111873	NIPPLE; 3/8 npt; stainless steel	1

8017a

FIG. 18: Model 239961, Series A

Model 240169, Series A

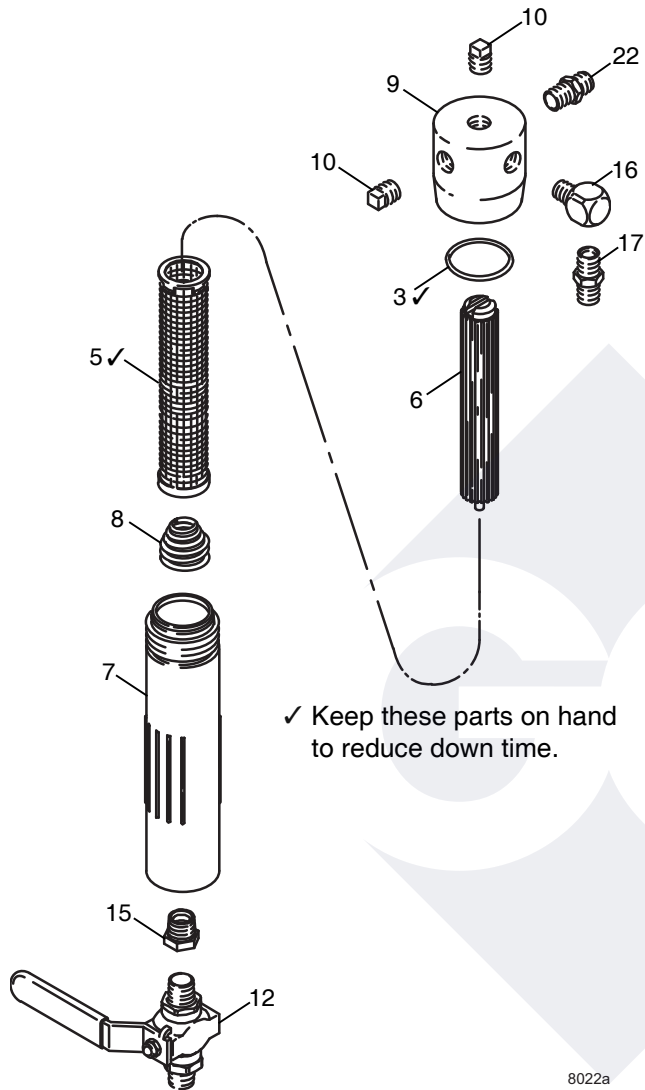


Ref.	Part	Description	Qty.
3✓	104361	O-RING; PTFE	1
5✓	167025	SCREEN, stainless steel; 60 mesh	1
6	186075	SUPPORT, filter; polyethylene	1
7	24C501	BOWL, filter; carbon steel	1
8	171941	SPRING, compression; stainless steel	1
9	171942	HOUSING, filter; carbon steel	1
10	100509	PLUG, pipe; 1/4 npt	2
12	238635	VALVE, ball; 1/4 npt (mbe); carbon steel	1
15	159841	BUSHING; 3/8 npt(m) x 1/4 npt(f)	1
16	100840	ELBOW, 90°; 1/4 npt (m x f); carbon steel	1
17	162453	NIPPLE; 1/4 npt x 1/4 npsm; carbon steel	1
22	156849	NIPPLE; 3/8 npt; carbon steel	1

8021a

FIG. 19: Model 240169, Series A

Model 240170, Series A



Ref.	Part	Description	Qty.
3✓	104361	O-RING; PTFE	1
5✓	167025	SCREEN, stainless steel; 60 mesh	1
6	186075	SUPPORT, filter; polyethylene	1
7	185632	BOWL, filter; stainless steel	1
8	171941	SPRING, compression; stainless steel	1
9	185631	HOUSING, filter; stainless steel	1
10	111697	PLUG; 1/4 npt; stainless steel	2
12	239018	VALVE, ball; 1/4 npt (mbe); stainless steel	1
15	168160	BUSHING; 3/8 npt(m) x 1/4 npt(f)	1
16	166866	ELBOW, 90°; 1/4 npt (m x f); stainless steel	1
17	166846	NIPPLE; 1/4 npt x 1/4 npsm; stainless steel	1
22	111873	NIPPLE; 3/8 npt; stainless steel	1

FIG. 20: Model 240170, Series A

Model 239286, Series A

Ref.	Part	Description	Qty.
1	100040	PLUG; 3/8 npt; steel or iron	1
2	155699	ELBOW, street, 3/8-18 (m x f)	1
3✓	104361	O-RING; PTFE	1
4	162485	NIPPLE; 3/8 npt(m) x 3/8 npsm(m)	1
5✓	167025	SCREEN, stainless steel; 60 mesh	1
6	186075	SUPPORT, filter; polyethylene	1
7	172831	BOWL, filter; aluminum	1
8	171941	SPRING, compression; stainless steel	1
9	190097	HOUSING, filter; carbon steel	1
10	164672	NIPPLE, hex, 3/8 npt x 1/4 npsm; 1-15/16 in. long	2
11	239285	CAP, filter	1

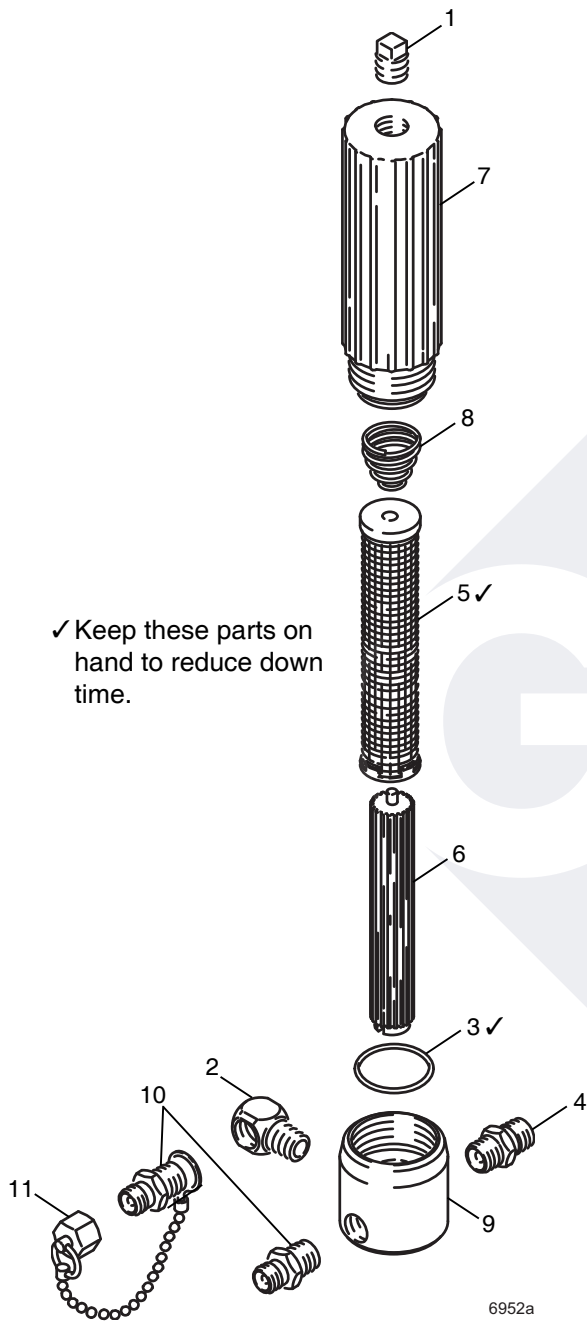


FIG. 21: Model 239286, Series A

Model 237481, Series A
Model 241107, Series A

Ref.	Part	Description	Qty.
1	100040	PLUG; 3/8 npt; steel or iron; (231481)	1
2	155699	ELBOW, street, 3/8-18 (m x f)	1
3✓	104361	O-RING; PTFE	1
4	162485	NIPPLE; 3/8 npt(m) x 3/8 npsm(m)	3
5✓	167025	SCREEN, stainless steel; 60 mesh	1
6	186075	SUPPORT, filter; polyethylene	1
7	172831	BOWL, filter; aluminum; Model 237481	1
	246582	BOWL, filter; zinc-plated steel; Model 241107	1
8	171941	SPRING, compression; stainless steel	1
9	190097	HOUSING, filter; carbon steel	1
10	237479	CAP, filter; Model 237481	1
11	240987	PLUG, packless; Model 241107	1

✓ Keep these parts on hand to reduce down time.

6953a

FIG. 22: Models 237481, Series A and 241107, Series A

Model 24F620, Series A

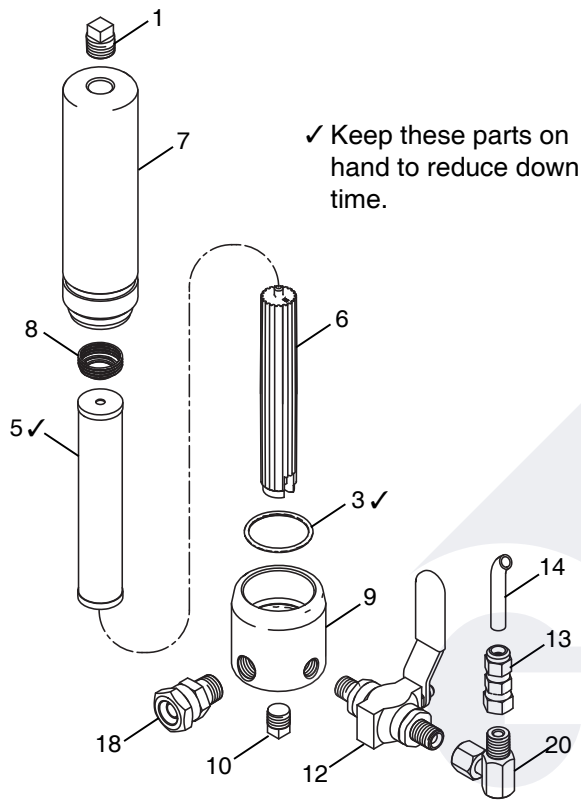


FIG. 23: Model 24F620, Series A

Ref.	Part	Description	Qty.
1	100040	PLUG; 3/8 npt; steel or iron	1
3✓	104361	O-RING; PTFE	1
5✓	167026	SCREEN, stainless steel; 100 mesh	1
6	186075	SUPPORT, filter; polyethylene	1
7	24C501	BOWL, filter; carbon steel	1
8	171941	SPRING, compression; stainless steel	1
9	171942	HOUSING, filter; carbon steel	1
10	100509	PLUG, pipe; 1/4 npt	1
12	238635	VALVE, ball; 1/4 npt (mbe); carbon steel	1
13	205447	COUPLING; 1/4 npsm(f)	1
14	26B753	TUBE, drain; nylon; 1/4 in. (0.6 mm) ID; 7 ft (2.1 m)	1
18	155665	FITTING, swivel; 3/8 npt(m) x 3/8 npsm(f)	1
20	155541	FITTING, elbow, swivel; 1/4 npt(m) x 1/4 npsm(f)	1

Model 24U609, Series A

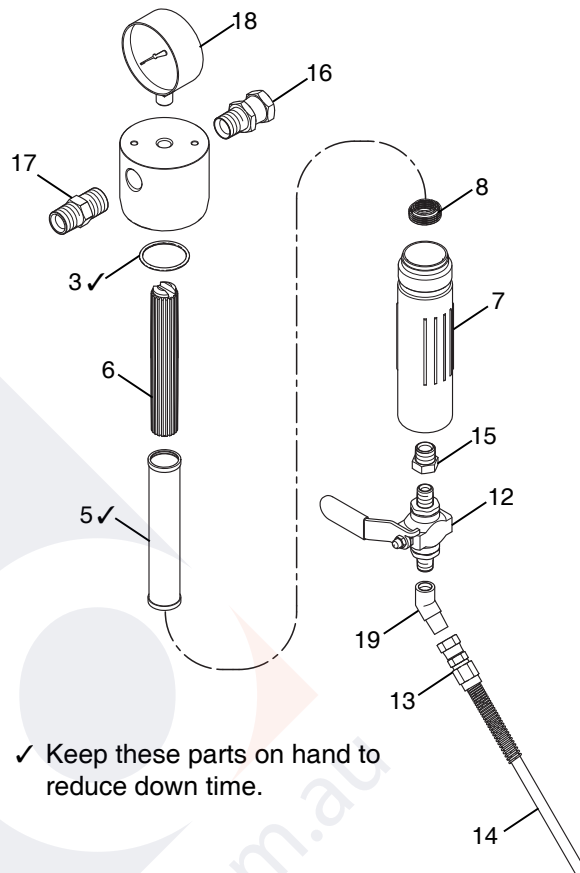
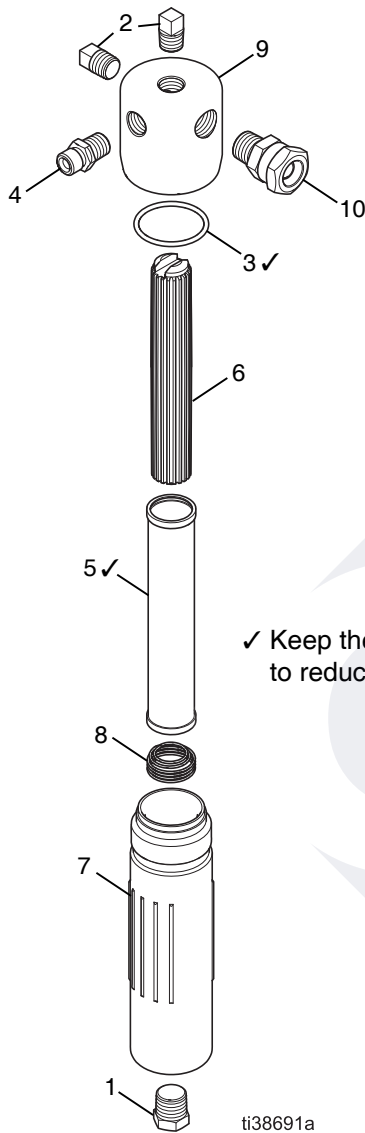


FIG. 24: Model 24U609, Series A

Ref.	Part	Description	Qty.
3✓	104361	O-RING; PTFE	1
5✓	167025	SCREEN, stainless steel; 60 mesh	1
6	186075	SUPPORT, filter; polyethylene	1
7	185632	BOWL, filter; stainless steel	1
8	171941	SPRING, compression; stainless steel	1
9	192975	HOUSING, filter; stainless steel	1
12	239018	VALVE, ball; 1/4 npt (mbe); stainless steel	1
13	111913	COUPLING; 1/4 npsm(f)	1
14	26B753	TUBE, drain; nylon; 1/4 in. (0.6 mm) ID; 8 in. (203 mm)	1
15	168160	BUSHING; 3/8 npt(m) x 1/4 npt(f)	1
16	15M859	FITTING, adapter, swivel; 1/2 npt (m) x 1/2 npsm (f); stainless steel	1
17	114572	NIPPLE; 1/2 npt x 1/2 npsm; stainless steel	1
18	112941	GAUGE, pressure	1
19	113933	ELBOW, 45°; 1/4 npt (m x f); stainless steel	1

Model 26B236, Series A



✓ Keep these parts on hand to reduce down time.

ti38691a

FIG. 25: Model 26B236, Series A

Ref.	Part	Description	Qty.
1	110740	PLUG; 3/8 npt; stainless steel	1
2	111697	PLUG; 1/4 npt; stainless steel	2
3	104361	O-RING; PTFE	1
4	166846	NIPPLE; 1/4 npsm x 1/4 npt; stainless steel	1
5	167026	SCREEN, stainless steel; 100 mesh	1
6	186075	SUPPORT, filter; polyethylene	1
7	185632	BOWL, filter; stainless steel	1
8	171941	SPRING, compression; stainless steel	1
9	185631	HOUSING, filter; stainless steel	1
10	235208	FITTING, union, swivel	1

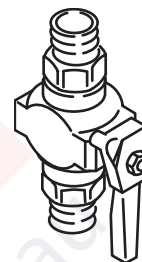
Kits and Accessories

High Pressure Ball Valves

5000 psi (350 bar) Maximum Working Pressure

Install in outlets for individual line control or install in bottom of filter bowl for draining fluid.

210657	1/4 npt(mbe), fluoroelastomer seals
210659	3/8 x 1/4 npt(mbe), fluoroelastomer seals
210658	3/8 npt(mbe), fluoroelastomer seals
214037	1/4 npt(mbe), PTFE seals
240410	3/8 npt(mbe), PTFE seals
26A068	3/8x1/4 npt, PTFE seals
26A078	1/4 npt, PTFE seals



Stainless Steel Screens

167024	595 micron (30 mesh)
167025	250 micron (60 mesh)
167026	149 micron (100 mesh)
167027	74 micron (200 mesh)
17K787	149 micron (100 mesh) 316 sst

Optional Filter Support

179801	Zinc-plated steel
---------------	-------------------

Technical Specifications

	US	Metric
Maximum Working Pressure		
Model 214570, 236789, 237481, 239286	3000 psi	21 MPa, 210 bar
Model 239963	4000 psi	28 MPa, 280 bar
All other models	5000 psi	35 MPa, 350 bar
Fluid Inlet		
Models 240183, 24U609, and 24F658		1/2 npt
All other models		3/8 npt
Fluid Outlets		
Models 240183, 24U609, and 24F658		1/2 npt
Model 236789, 237481, 238782, 241107, 248851		3/8 npt
All other models		1/4 npt
Diameter		
All models	2.25 in.	60 mm
Height		
All models	8.5 in.	220 mm
Weight		
Models 214570 and 236789	3.2 lb	1.45 kg
Models 237481 and 239286	3.53 lb	1.60 kg
All other models	4.63	2.10 kg
Wetted Parts		
Models 214570, 236789, 237481, 239286	Aluminum, carbon steel, passivated 304 and 313 stainless steel, PTFE, polyethylene	
Models 218029, 239060, 24F620, 239244, 239962, 239964, 240169, 241107, 24V925	Carbon steel, PTFE, polyethylene, passivated 304 and 313 stainless steel	
Model 241317	Carbon steel, zinc, PTFE, polyethylene, passivated 304 and 313 stainless steel	
Models 223160, 238782, 239063, 239300, 239800, 239961, 239963, 24A587, 240170, 240183, 248851, 24U609, 24F658, and 26B236.	PTFE, polyethylene, passivated 303, 304, 313 and 316 stainless steel	
Model 26A069	PTFE, 316 sst passivated, polyethylene	

California Proposition 65

CALIFORNIA RESIDENTS

 **WARNING:** Cancer and reproductive harm – www.P65warnings.ca.gov.

Graco Standard Warranty

Graco warrants all equipment referenced in this document which is manufactured by Graco and bearing its name to be free from defects in material and workmanship on the date of sale to the original purchaser for use. With the exception of any special, extended, or limited warranty published by Graco, Graco will, for a period of twelve months from the date of sale, repair or replace any part of the equipment determined by Graco to be defective. This warranty applies only when the equipment is installed, operated and maintained in accordance with Graco's written recommendations.

This warranty does not cover, and Graco shall not be liable for general wear and tear, or any malfunction, damage or wear caused by faulty installation, misapplication, abrasion, corrosion, inadequate or improper maintenance, negligence, accident, tampering, or substitution of non-Graco component parts. Nor shall Graco be liable for malfunction, damage or wear caused by the incompatibility of Graco equipment with structures, accessories, equipment or materials not supplied by Graco, or the improper design, manufacture, installation, operation or maintenance of structures, accessories, equipment or materials not supplied by Graco.

This warranty is conditioned upon the prepaid return of the equipment claimed to be defective to an authorized Graco distributor for verification of the claimed defect. If the claimed defect is verified, Graco will repair or replace free of charge any defective parts. The equipment will be returned to the original purchaser transportation prepaid. If inspection of the equipment does not disclose any defect in material or workmanship, repairs will be made at a reasonable charge, which charges may include the costs of parts, labor, and transportation.

THIS WARRANTY IS EXCLUSIVE, AND IS IN LIEU OF ANY OTHER WARRANTIES, EXPRESS OR IMPLIED, INCLUDING BUT NOT LIMITED TO WARRANTY OF MERCHANTABILITY OR WARRANTY OF FITNESS FOR A PARTICULAR PURPOSE.

Graco's sole obligation and buyer's sole remedy for any breach of warranty shall be as set forth above. The buyer agrees that no other remedy (including, but not limited to, incidental or consequential damages for lost profits, lost sales, injury to person or property, or any other incidental or consequential loss) shall be available. Any action for breach of warranty must be brought within two (2) years of the date of sale.

GRACO MAKES NO WARRANTY, AND DISCLAIMS ALL IMPLIED WARRANTIES OF MERCHANTABILITY AND FITNESS FOR A PARTICULAR PURPOSE, IN CONNECTION WITH ACCESSORIES, EQUIPMENT, MATERIALS OR COMPONENTS SOLD BUT NOT MANUFACTURED BY GRACO. These items sold, but not manufactured by Graco (such as electric motors, switches, hose, etc.), are subject to the warranty, if any, of their manufacturer. Graco will provide purchaser with reasonable assistance in making any claim for breach of these warranties.

In no event will Graco be liable for indirect, incidental, special or consequential damages resulting from Graco supplying equipment hereunder, or the furnishing, performance, or use of any products or other goods sold hereto, whether due to a breach of contract, breach of warranty, the negligence of Graco, or otherwise.

FOR GRACO CANADA CUSTOMERS

The Parties acknowledge that they have required that the present document, as well as all documents, notices and legal proceedings entered into, given or instituted pursuant hereto or relating directly or indirectly hereto, be drawn up in English. Les parties reconnaissent avoir convenu que la rédaction du présente document sera en Anglais, ainsi que tous documents, avis et procédures judiciaires exécutés, donnés ou intentés, à la suite de ou en rapport, directement ou indirectement, avec les procédures concernées.

Graco Information

For the latest information about Graco products, visit www.graco.com.

For patent information, see www.graco.com/patents.

TO PLACE AN ORDER, contact your Graco distributor or call to identify the nearest distributor.

Phone: 612-623-6921 **or Toll Free:** 1-800-328-0211, **Fax:** 612-378-3505

All written and visual data contained in this document reflects the latest product information available at the time of publication. Graco reserves the right to make changes at any time without notice.

Original instructions. This manual contains English. MM 307273

Graco Headquarters: Minneapolis

International Offices: Belgium, China, Japan, Korea

GRACO INC. AND SUBSIDIARIES • P.O. BOX 1441 • MINNEAPOLIS MN 55440-1441 • USA
Copyright 2021, Graco Inc. All Graco manufacturing locations are registered to ISO 9001.

www.graco.com
Revision ZAG, April 2021