

Gauge Kit for GH2570ES, 5040ES, 733ES, 933, and 933ES Big Rig Sprayers

332232A
EN

Model 16U748 (Maximum Working Pressure: 5000 psi, 34.5 MPa, 345bar)

Model 16U749 (Maximum Working Pressure: 10000 psi, 68.9 MPa, 689 bar)

Series	Maximum Working Pressure	Gauge Kit
GH2570ES Bare	2500 psi (17.2 MPa, 172 bar)	16U748
GH733ES Bare	4000 psi (27.6 MPa, 276 bar)	16U748
GH5040ES Bare	5000 psi (34.5 MPa, 345 bar)	16U749
GH933ES Bare	7250 psi (50.0 MPa, 500 bar)	16U749
GH933 Bare	7250 psi (50.0 MPa, 500 bar)	16U749



IMPORTANT SAFETY INSTRUCTIONS

Read all warnings and instructions in sprayer manual. Save these instructions.

Related Manuals:



332156



332157



332158

Pressure Relief Procedure

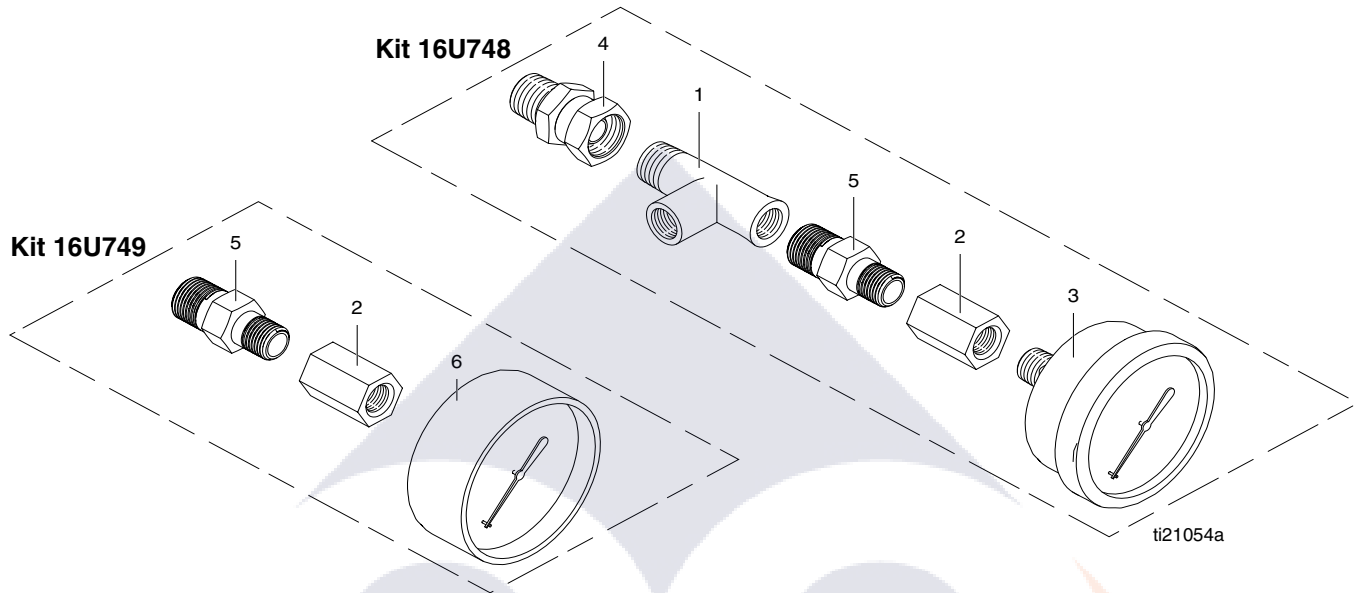


System pressure must be manually relieved to prevent it from starting or spraying accidentally. Fluid under high pressure can be injected into the skin and cause serious injury. To reduce risk of injury from injection, follow this procedure whenever you are instructed to relieve pressure, stop spraying, service equipment or install or clean spray tip. Read warnings, in operation manual.

1. Set pump valve OFF. Turn engine OFF.
2. Turn pressure to lowest setting. Trigger gun into pail to relieve pressure.
3. Open prime valve (vertical).

If you suspect that the spray tip or hose is completely clogged, or that pressure has not been fully relieved after following the steps above, VERY SLOWLY, loosen tip guard retaining nut or hose end coupling to relieve pressure gradually, then loosen completely. Then clean tip and hose.

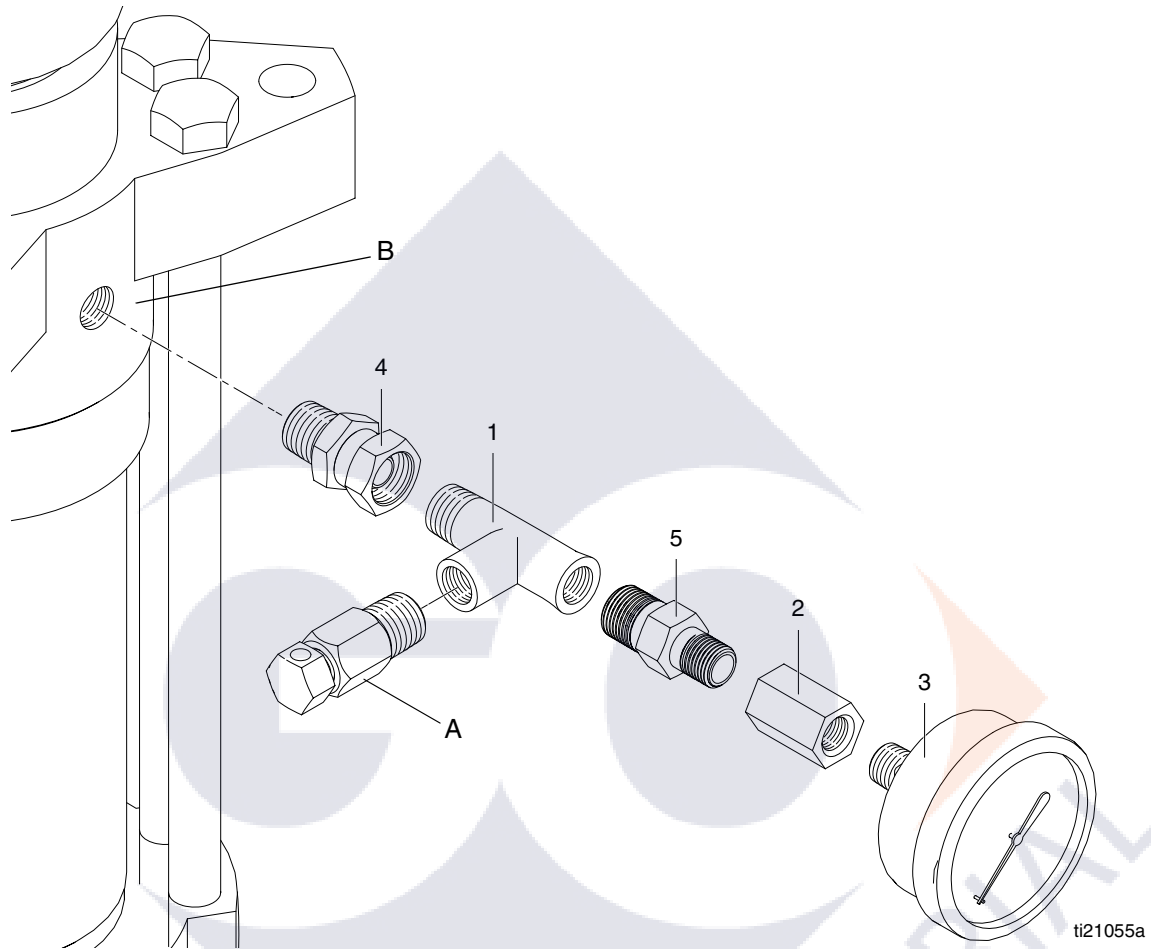
Parts Drawing



Parts List

Ref.	Part	Description	Qty.
1	803088	TEE, street	1
2	113093	CONNECTOR, pipe	1
3	113654	GAUGE, pressure, fluid, sst	1
4	155665	UNION, adapter	1
5	165198	FITTING, nipple, reducing	1
6	114434	GAUGE, pressure, fluid, sst	1

2570ES Pump



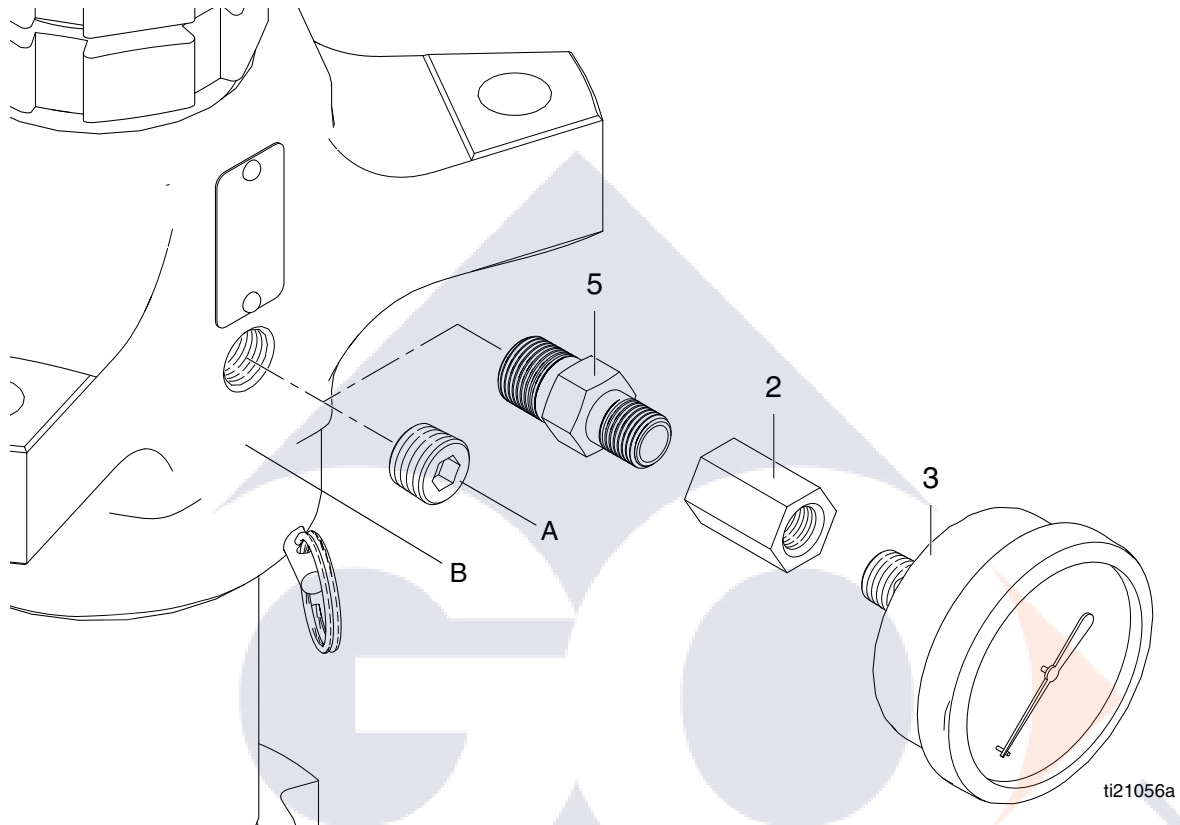
Installation

1. Follow **Pressure Relief Procedure** on page 1.
2. Remove bleeder (A).
3. Apply pipe sealant to adapter (4), tee (1), fitting (5), gauge (3), and bleeder (A).
4. Screw parts together and install assembly into fluid filter (B).

Maintenance

Gauge cannot be repaired, replace if damaged.

733ES Pump



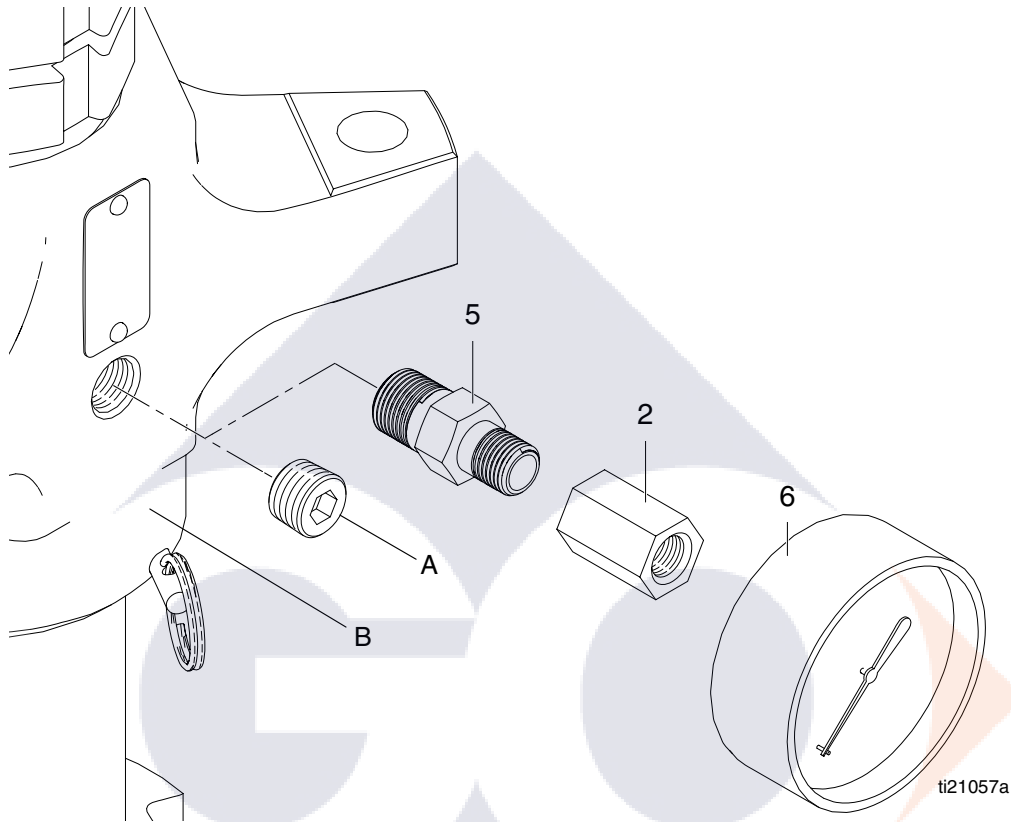
Installation

1. Follow **Pressure Relief Procedure** on page 1.
2. Remove pipe plug (A).
3. Apply pipe sealant to fitting (5) and gauge (3).
4. Screw parts together and install assembly into fluid filter (B).

Maintenance

Gauge cannot be repaired, replace if damaged.

5040ES Pump



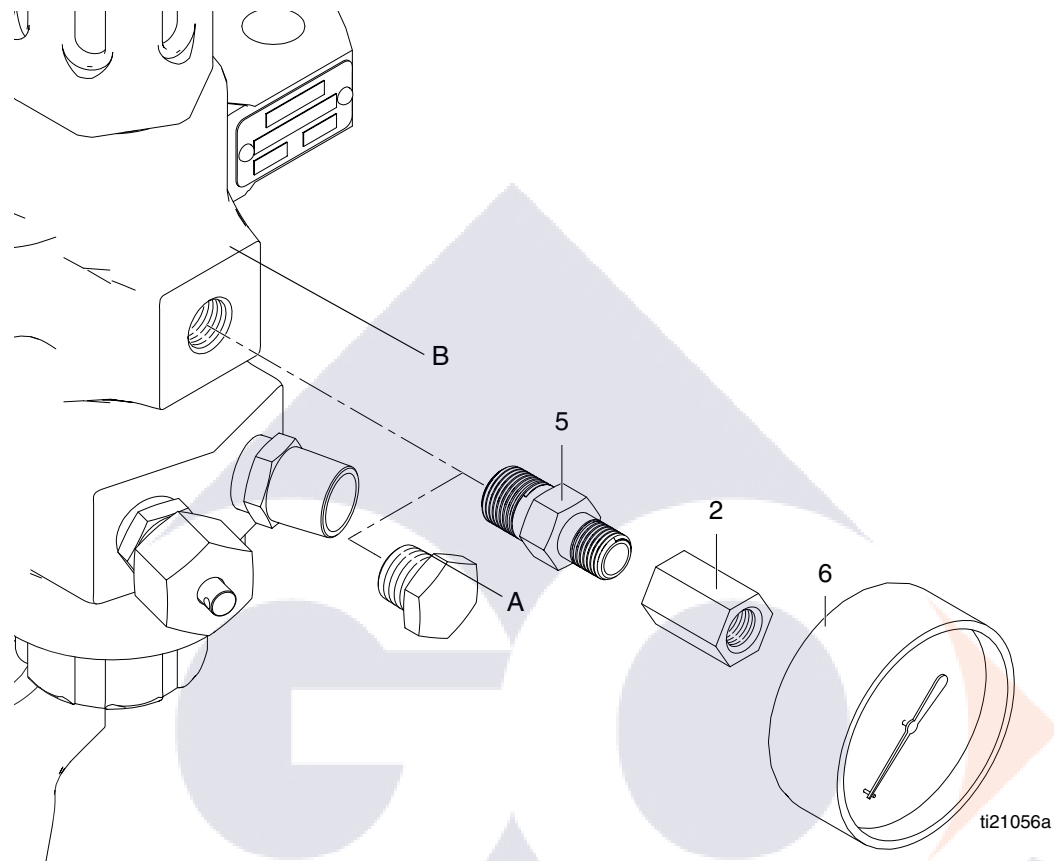
Installation

1. Follow **Pressure Relief Procedure** on page 1.
2. Remove pipe plug (A).
3. Apply pipe sealant to fitting (5) and gauge (6).
4. Screw parts together and install assembly into fluid filter (B).

Maintenance

Gauge cannot be repaired, replace if damaged.

GH933ES Pump



Installation

1. Follow **Pressure Relief Procedure** on page 1.
2. Remove pipe plug (A).
3. Apply pipe sealant to fitting (5) and gauge (6).
4. Screw parts together and install assembly into fluid filter (B).

Maintenance

Gauge cannot be repaired, replace if damaged.

All written and visual data contained in this document reflects the latest product information available at the time of publication. Graco reserves the right to make changes at any time without notice.

For patent information, see www.graco.com/patents.

Original instructions. This manual contains English. MM 332232

Graco Headquarters: Minneapolis

International Offices: Belgium, China, Japan, Korea

GRACO INC. AND SUBSIDIARIES • P.O. BOX 1441 • MINNEAPOLIS MN 55440-1441 • USA

Copyright 2012, Graco Inc. All Graco manufacturing locations are registered to ISO 9001.

www.graco.com

Revision A - January 2013