

Kit 24B707, Inline Fluid Filter

406814B
ENG

Maximum Working Pressure: 4000 psi (27.6 MPa, 276 bar)



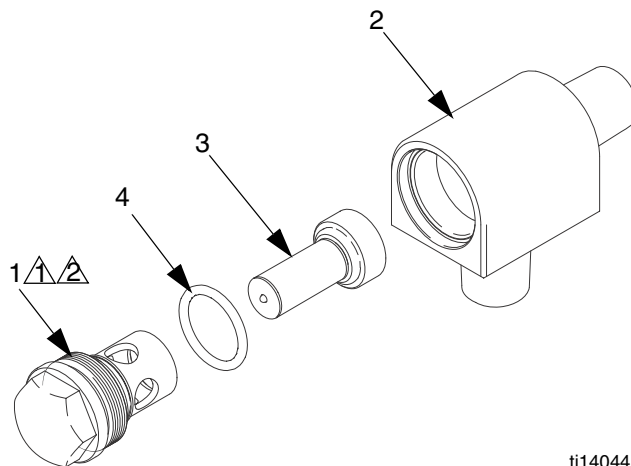
Important Safety Instructions

Read all warnings and instructions in this manual and in your gun manual. Save these instructions.

Kit 24B707

Ref.	Part	Description	Qty.
1	24B848	PLUG, 3/4 x 20	1
2	-----	BODY, filter	1
3	-----	TIP, filter, see table for ordering options.	1
4	102982	O-RING, ptfе	1

----- Not sold separately




ti14044a

Filters

Description	Package of 3	Package of 25
0.005 in. (equivalent to 100 mesh screen)*	238561	238562
0.009 in. (equivalent to 60 mesh screen)	238563	238564

* Standard in Kit 24B707. Kit ships with one installed.

 Torque to 30-35 ft-lb (41-47 N•m).

 Lubricate threads with anti-seize lubricant.



All written and visual data contained in this document reflects the latest product information available at the time of publication. Graco reserves the right to make changes at any time without notice.

This manual contains English. MM 406814

Graco Headquarters: Minneapolis
International Offices: Belgium, China, Japan, Korea

GRACO INC. P.O. BOX 1441 MINNEAPOLIS, MN 55440-1441

Copyright 2009, Graco Inc. is registered to ISO 9001

www.graco.com
Revised 02/2011