

Instructions - Parts List
Manuel d'instructions – Liste des pièces
Instrucciones – Lista de piezas



Finex™ Gun

Pistolet Finex™

Pistola Finex™

312388R

EN FR ES

***For the spray application of paints and coatings.
Pour la pulvérisation de peintures et de revêtements.
Para la aplicación mediante pulverización de pinturas y revestimientos.***

Includes Mini-HVLP, HVLP, and Conventional Styles with Pressure and Gravity Feeds.

See page 2 for list of models.

Comprend les styles Mini-HVLP, HVLP et Conventional à alimentation par pression ou par gravité.

Voir page 13 pour la liste des modèles.

Incluye Mini-HVLP, HVLP, y Estilos convencionales con alimentación a presión y por gravedad.

Consulte la página 24 para ver una lista de modelos.

100 psi (0.7 MPa, 7 bar) Maximum Working Fluid and Air Pressure

Pressions maximales de service et pneumatique : 100 psi (0,7 MPa, 7 bars)

Presión máxima de funcionamiento de aire y de fluido de 100 psi (0,7 MPa, 7 bar)



Pressure Feed
Alimentation sous pression
Alimentación a presión



Important Safety Instructions

Read all warnings and instructions in this manual. Save these instructions.



Instructions de sécurité importantes

Lire toutes les mises en garde et instructions de ce manuel. Sauvegarder ces instructions.



Instrucciones importantes de seguridad

Lea todas las advertencias e instrucciones de este manual. Guarde las instrucciones.

Standard Gravity Feed
Conventional - Alimentation par gravité standard
Alimentación por gravedad estándar convencional

English	page 2
Français	page 13
Español	página 25



Side Cup Gravity Feed
Réservoir latéral - Alimentation par gravité
Alimentación por gravedad con copela lateral



II 2 G





Models

Gun Style	Part No.	Needle/Nozzle Size in (mm)
Gravity Feed Mini-HVLP	289256	0.024 (0.6)
	289257	0.031 (0.8)
	289258	0.039 (1.0)
	289259	0.047 (1.2)
	289260	0.055 (1.4)
Standard Gravity Feed Conventional	289243	0.051 (1.3)
	289244	0.055 (1.4)
	289245	0.059 (1.5)
	289246	0.071 (1.8)
Standard Gravity Feed HVLP	289238	0.051 (1.3)
	289239	0.055 (1.4)
	289240	0.059 (1.5)
	289241	0.071 (1.8)

Gun Style	Part No.	Needle/Nozzle Size in (mm)
Side Cup Gravity Feed Conventional	24J601	0.040 (1.0)
	24J602	0.047 (1.2)
	24J603	0.055 (1.4)
Side Cup Gravity Feed HVLP	24J599	0.047 (1.2)
	24J600	0.055 (1.4)
Pressure Feed HVLP	289247	0.039 (1.0)
	289248	0.047 (1.2)
	289249	0.055 (1.4)
	289250	0.071 (1.8)
Pressure Feed Conventional	289252	0.039 (1.0)
	289253	0.047 (1.2)
	289254	0.055 (1.4)
	289255	0.071 (1.8)

Warnings

The following warnings are for the setup, use, grounding, maintenance, and repair of this equipment. The exclamation point symbol alerts you to a general warning and the hazard symbol refers to procedure-specific risk. Refer back to these warnings. Additional, product-specific warnings may be found throughout the body of this manual where applicable.

 WARNING	
  	<p>FIRE AND EXPLOSION HAZARD</p> <p>Flammable fumes, such as solvent and paint fumes, in work area can ignite or explode. To help prevent fire and explosion:</p> <ul style="list-style-type: none"> • Use equipment only in well ventilated area. • Eliminate all ignition sources; such as pilot lights, cigarettes, portable electric lamps, and plastic drop cloths (potential static arc). • Keep work area free of debris, including solvent, rags and gasoline. • Do not plug or unplug power cords or turn lights on or off when flammable fumes are present. • Ground all equipment in the work area. See Grounding instructions. • If there is static sparking or you feel a shock, stop operation immediately. Do not use equipment until you identify and correct the problem. • Keep a working fire extinguisher in the work area.

 **WARNING**
**EQUIPMENT MISUSE HAZARD**

Misuse can cause death or serious injury.

- Do not operate the unit when fatigued or under the influence of drugs or alcohol.
- Do not exceed the maximum working pressure or temperature rating of the lowest rated system component. See **Technical Data** in all equipment manuals.
- Use fluids and solvents that are compatible with equipment wetted parts. See **Technical Data** in all equipment manuals. Read fluid and solvent manufacturer's warnings. For complete information about your material, request MSDS forms from distributor or retailer.
- Check equipment daily. Repair or replace worn or damaged parts immediately with genuine manufacturer's replacement parts only.
- Do not alter or modify equipment.
- Use equipment only for its intended purpose. Call your distributor for information.
- Route hoses and cables away from traffic areas, sharp edges, moving parts, and hot surfaces.
- Do not kink or over bend hoses or use hoses to pull equipment.
- Keep children and animals away from work area.
- Comply with all applicable safety regulations.

**PRESSURIZED EQUIPMENT HAZARD**

Fluid from the gun/dispense valve, leaks, or ruptured components can splash in the eyes or on skin and cause serious injury.

- Follow **Pressure Relief Procedure** in this manual, when you stop spraying and before cleaning, checking, or servicing equipment.
- Tighten all fluid connections before operating the equipment.
- Check hoses, tubes, and couplings daily. Replace worn or damaged parts immediately.

**TOXIC FLUID OR FUMES HAZARD**

Toxic fluids or fumes can cause serious injury or death if splashed in the eyes or on skin, inhaled, or swallowed.


- Read MSDS's to know the specific hazards of the fluids you are using.
- Store hazardous fluid in approved containers, and dispose of it according to applicable guidelines.
- Always wear impervious gloves when spraying or cleaning equipment.

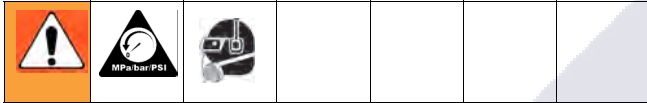
**PERSONAL PROTECTIVE EQUIPMENT**

You must wear appropriate protective equipment when operating, servicing, or when in the operating area of the equipment to help protect you from serious injury, including eye injury, inhalation of toxic fumes, burns, and hearing loss. This equipment includes but is not limited to:

- Protective eyewear
- Clothing and respirator as recommended by the fluid and solvent manufacturer
- Gloves
- Hearing protection

Setup

 Reference numbers and letters in parentheses in the text refer to numbers and letters in the illustrations.



Connecting Air Line

1. Install an air pressure regulator on gun air supply line to control air pressure.
2. Install a shutoff valve downstream of the air regulator to shut off gun air.
3. Connect a clean, dry, filtered air supply to air inlet fitting (13). Connect other end to shutoff valve.

Connecting Fluid Supply

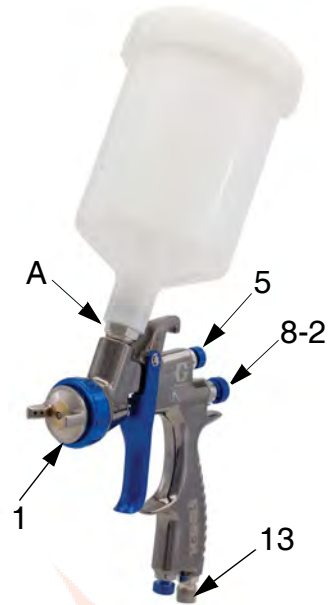
Pressure Feed Guns:

1. To control fluid pressure to the gun, install a fluid regulator on the fluid line.
2. Connect the fluid hose to the gun fluid inlet, 3/8-18 npsm (R3/8-19) (21).
3. Connect other end to a regulated fluid supply line.



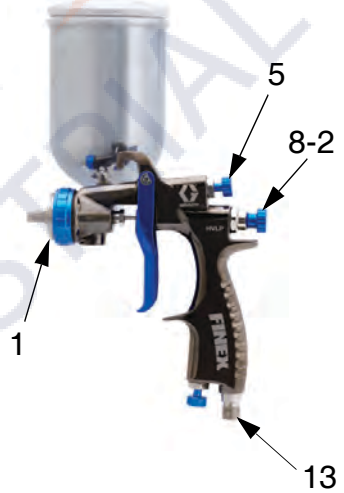
Standard Gravity Feed Guns:

1. Install fluid filter (24) into fluid inlet (A).
2. Screw on gravity cup.
3. Remove gravity cup cover and fill cup with solvent to flush if this is first time using equipment. (See **Flushing**, page 6.)
4. After flushing, fill cup with fluid and attach cover.



Side Cup Gravity Feed Guns (no filter):

1. Screw on gravity cup.
2. Adjust angle.
3. Remove gravity cup cover and fill cup with solvent to flush if this is first time using equipment. (See **Flushing**, page 6.)
4. After flushing, fill cup with fluid and attach cover.



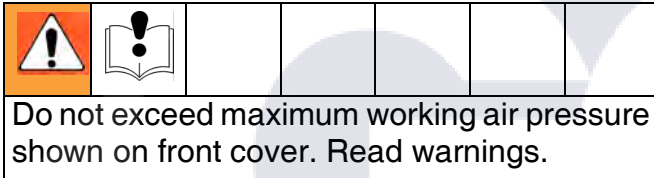
Operation



Pressure Relief Procedure


1. Turn off air and fluid supply.
2. Hold a metal part of the gun firmly to a grounded metal pail. Trigger the gun to relieve pressure.

Adjust Spray Pattern



1. Rotate air cap to change spray pattern direction.
2. For maximum fluid flow and to prevent premature fluid nozzle wear, turn fluid adjustment knob (8-2) counterclockwise until no trigger restriction is felt. Then turn knob out 1/2 turn more.
3. If further fluid flow restriction is needed, use different size needle/nozzle/air cap combination.

If necessary, fluid adjustment knob (8-2) can be turned clockwise to reduce volume of fluid output. However, continuously spraying with fluid adjustment knob closed causes accelerated abrasive wear on fluid needle and trigger/air valve shaft interface.

 If fluid adjustment knob (8-2) is turned in all the way, the gun emits only air.

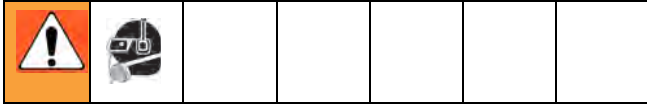
4. *Pressure Feed only:* Adjust fluid pressure to achieve desired fluid flow rate.
5. Test spray pattern and atomization while holding gun about 6 to 8 inches (150 to 200 mm) from test piece.
 - a. If pattern is too wide, turn pattern adjustment knob (5) clockwise to narrow pattern.
 - b. To create a round pattern, turn pattern adjustment knob (5) fully clockwise.
 - c. If pattern is too narrow, turn knob (5) counterclockwise.
 - d. Check atomization. Increase gun air supply pressure in 5 psi (34 kPa, 0.3 bar) increments until you have the desired atomization.

Applying the Fluid

For the best results:

- Keep gun perpendicular to surface and consistent distance of about 6 to 8 inches (150 to 200 mm). Do not angle the gun as you spray.
- Use smooth, even strokes, with about 50% overlap.
- HVLP Guns: Use a slightly slower hand movement and make fewer passes than you would with a conventional air spray gun. Take care to avoid runs or sags.

Maintenance



Flushing

Flush before changing colors, before fluid can dry in the equipment, at the end of the day, before storing, and before repairing equipment. Use a solvent that is compatible with gun wetted parts and fluid that will be sprayed.

Gravity Feed Guns:

1. Follow **Pressure Relief Procedure**, page 5.
2. Dispose of any paint in the cup.
3. Fill the cup with a small amount of solvent.
4. Spray into a grounded metal waste container until clean solvent dispenses.
5. Follow **Pressure Relief Procedure**, page 5.

Pressure Feed Guns:

1. Follow **Pressure Relief Procedure**, page 5.
2. Disconnect fluid supply hose and air supply hose from gun.
3. Connect solvent supply hose to gun.
4. Hold metal part of gun against a grounded metal container, trigger, and flush the gun with solvent until all traces of paint are removed from the gun passages.
5. Turn off the solvent supply.
6. Follow **Pressure Relief Procedure**, page 5.
7. Disconnect solvent supply hose from gun.

Daily Cleaning



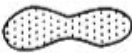
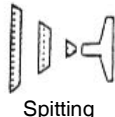
CAUTION
<ul style="list-style-type: none"> • Do not submerge gun in solvent. Solvent dissolves lubricant, dries out packings, and may clog air passages. You can immerse front end of gun in solvent just until cup connection is covered. • Do not use metal tools to clean air cap holes as this may scratch them and distort the spray pattern. • Use a compatible solvent.

1. Follow **Pressure Relief Procedure**, page 5.
2. Clean fluid and air line filters.
3. Check for fluid leakage from gun and fluid hoses. Tighten fittings or replace equipment as needed.
4. Flush gun before changing colors and when you are done spraying.
5. Remove cup and filter and clean them (gravity feed models only).
6. Remove air cap (1) and nozzle (2) as instructed on page 8 and soak them in compatible solvent.

CAUTION
<p>Trigger gun and use gun tool (27) whenever you tighten or remove nozzle (2) to avoid damaging needle seat and nozzle.</p>

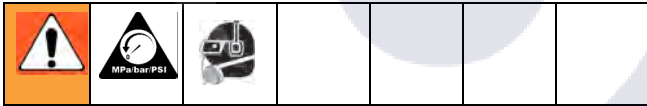
7. Use a rag moistened in solvent to wipe down outside of gun.
8. Before reinstalling air cap and nozzle, clean them and front of gun with a soft-bristle brush dipped into compatible solvent. Do not use a wire brush or metal tools. To clean out air cap holes, use a soft implement, such as a toothpick.
9. Lubricate gun.

Troubleshooting

Problem	Cause	Solution
	One side of air cap (1) dirty or clogged.	Clean air cap orifices. See page 6. Blow air through orifices until clean. If air cap holes are damaged, replace air cap.
	a. Loose air cap (1).	a. Tighten.
	b. Dried or damaged air cap (1) or fluid nozzle (2).	b. Rotate air cap 180°. <i>If pattern follows air cap, problem is in air cap. Clean and inspect. See page 6. If pattern is not corrected, replace air cap.</i> <i>If pattern does not follow the air cap, the problem is with the fluid nozzle. Clean and inspect the nozzle. See page 6. If the pattern is not corrected, replace nozzle.</i>
	a. Atomization air pressure set too high.	a. Reduce air pressure.
	b. Spraying a thin material in too wide of a pattern.	b. Increase material control by turning fluid adjustment knob (8-2) counterclockwise while reducing spray width by turning pattern adjustment knob (5) clockwise. Or increase material viscosity.
 Spitting	Air getting into paint stream.	
	a. Cup almost empty.	a. Fill cup.
	b. Dry needle packing (3-1, 3-2).	b. Loosen packing seat and put a few drops of machine oil on packing (3-1, 3-2). Retighten seat (4).
	c. Fluid nozzle (2) too loose.	c. Tighten.
	d. Dried material between nozzle (2) and gun body.	d. Clean nozzle and front of gun. See page 6.
	e. Damaged needle seal.	e. Replace seal. See page 8.
Other spray pattern problems.	a. Gun not properly adjusted.	a. See page 5.
	b. Sluggish needle (10).	b. Clean and lubricate.
Unable to get round pattern.	Pattern adjustment knob (5) not seating properly.	Clean or replace knob.
Will not spray.	a. No air pressure at gun.	a. Check air supply and air lines.
	b. Cup empty.	b. Fill cup.
	c. Fluid adjustment knob (8-2) turned too far clockwise.	c. Adjust knob (8-2) counterclockwise.
	d. Fluid too thick for gravity feed.	d. Thin material.

Problem	Cause	Solution
Fluid leaking from packing nut (4).	a. Packing nut (4) loose.	a. Tighten, but not so tight as to grip needle.
	b. Packing (3-1, 3-2) worn or dry.	b. Lubricate or replace.
Fluid nozzle (2) dripping.	a. Dry packing (3-1, 3-2).	a. Lubricate.
	b. Sluggish needle (10).	b. Clean and lubricate.
	c. Packing nut (4) too tight.	c. Loosen.
	d. Worn fluid nozzle or needle.	d. Replace.
Thin, coarse finish.	a. Gun held too far from surface.	a. Hold gun about 6 to 8 inches (150 to 200 mm) from surface.
	b. Atomization air pressure set too high.	b. Reduce air pressure.
Thick, dimpled finish (resembling orange peel).	Gun held too close to surface.	Hold gun about 6 to 8 inches (150 to 200 mm) from surface.

Service




Preparation

1. Flush and clean gun before servicing.
2. Follow **Pressure Relief Procedure**, page 5.

Air Cap, Nozzle, and Needle

1. Unscrew air cap (1).
2. Trigger gun while you remove the nozzle (2) with gun tool (27).

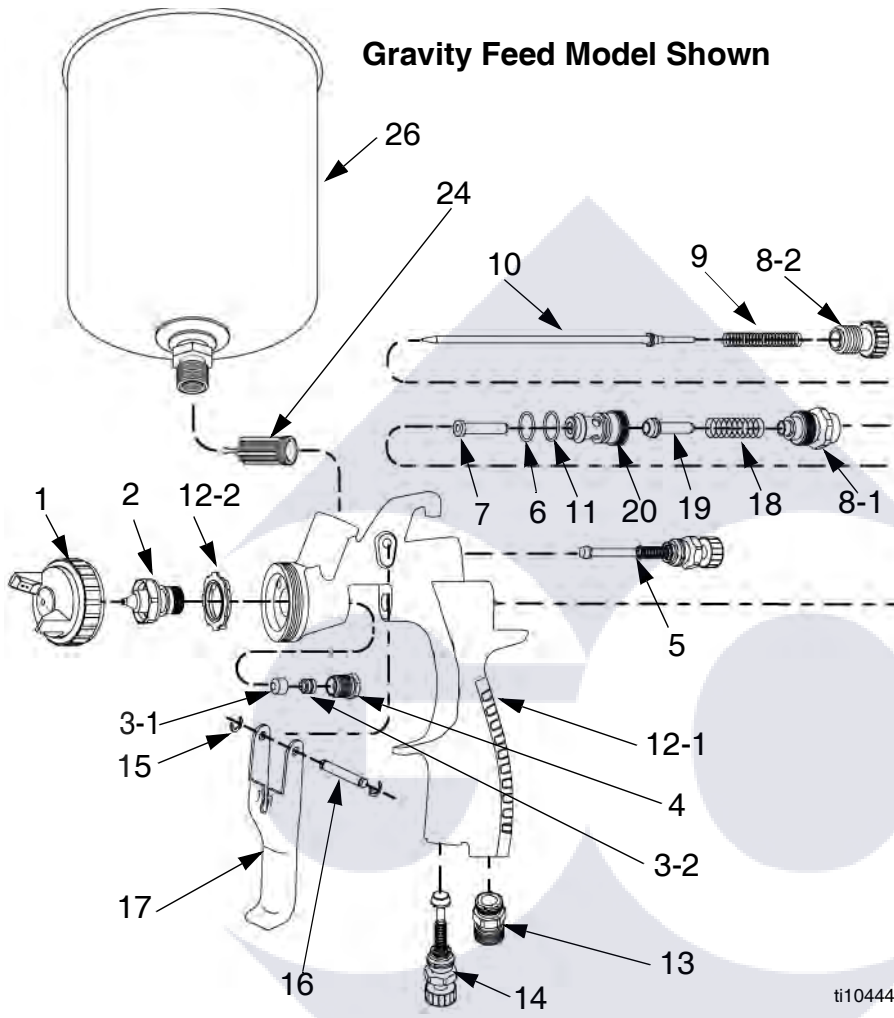
 Trigger gun and use gun tool (27) whenever you tighten or remove the nozzle (2) to avoid damage.

3. Remove fluid adjustment knob (8-2) and spring (9).
4. Pull fluid needle (10) out the back of the gun.

Air Valve and Needle Packings

1. Remove retaining rings (15), pin (16), and trigger (17).
2. Remove packing nut (4) and fluid needle packings (3-1, 3-2).
3. Remove fluid needle guide (7).
4. Remove fluid adjusting guide (8-1).
5. Remove spring (18) and air valve (19).
6. Remove air valve seat (20) and o-rings.
7. Replace parts as needed.
8. Assemble gun in reverse order. Lubricate needle and o-rings. Be sure to trigger gun when installing nozzle (2).

Parts

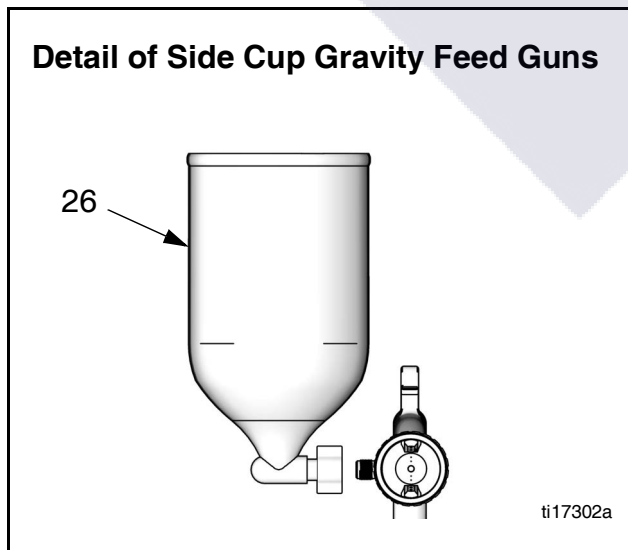


Gravity Feed Model Shown

Ref.	Description	Qty
1	CAP, air	1
2	NOZZLE, fluid	1
3-1*	PACKING, fluid needle	1
3-2*	PACKING, fluid needle	1
4*	NUT, packing	1
5*	KNOB, pattern adjustment	1
6*	O-RING	1
7*	GUIDE, fluid needle	1
8-1*	GUIDE, fluid adjusting	1
8-2*	KNOB, fluid adjusting	1
9*	SPRING, fluid needle	1
10	NEEDLE, fluid	1
11*	O-RING	1
12-1	BODY, gun	1
12-2*	KIT, distributor, air	1
13*	FITTING, air inlet	1
14*	VALVE, air adjustment	1
15*	RING, retaining	2
16*	PIN, trigger	1
17*	KIT, trigger	1
18*	SPRING, air valve	1
19*	VALVE, air	1
20*	SEAT, air valve	1
21	CONNECTOR, fluid, (pressure feed models only, not shown)	1
24*	FILTER, fluid (standard gravity feed models only)	1
26	CUP, gravity (gravity feed models only)	1
27	TOOL, gun (not shown)	1

ti10444a

Detail of Side Cup Gravity Feed Guns



ti17302a

Repair Kits

Gun Style	Needle/ Nozzle Size in. (mm)	Needle, Nozzle, Air Cap Kit (includes parts 1, 2, and 10)	Needle Packing Kit (includes parts 3-1, 3-2 and 4)	Gun Rebuild Kit (includes parts marked *)	Air Distributor Kit (includes part 12-2, pack of 5)	Trigger Repair Kit (includes parts 15, 16 and 17)
Gravity Feed Mini-HVLP	0.024 (0.6)	289286	288890	288895	24C308	24F059†
	0.031 (0.8)	289287				
	0.039 (1.0)	289288				
	0.047 (1.2)	289289				
	0.055 (1.4)	289290				
Standard Gravity Feed Conventional	0.039 (1.0)	289291	288891	288896	24C309	24F061†
	0.051 (1.3)	289292				
	0.055 (1.4)	289293				
	0.059 (1.5)	289294				
	0.071 (1.8)	289295				
Standard Gravity Feed HVLP	0.039 (1.0)	289296	288891	288896	24C309	24F061†
	0.051 (1.3)	289297				
	0.055 (1.4)	289298				
	0.059 (1.5)	289299				
	0.071 (1.8)	289300				
Side Cup Gravity Feed Conventional	0.040 (1.0)	24J881	288891	288897†	24C309	24F061†
	0.047 (1.2)	24J882				
	0.055 (1.4)	24J883				
Side Cup Gravity Feed HVLP	0.047 (1.2)	24J879	288891	288897†	24C309	24F061†
	0.055 (1.4)	24J880				
Pressure Feed HVLP	0.039 (1.0)	289301	288891	288897†	24C309	24F061†
	0.047 (1.2)	289302				
	0.055 (1.4)	289303				
	0.071 (1.8)	289304				
Pressure Feed Conventional	0.031 (0.8)	289305	288891	288897†	24C309	24F061†
	0.039 (1.0)	289306				
	0.047 (1.2)	289307				
	0.055 (1.4)	289308				
	0.071 (1.8)	289309				
	0.086 (2.2)	289677				
	0.098 (2.5)	289678				

† Includes stainless steel trigger (17).

Accessories

Gun Style	Gravity Cup Kits (includes part 26)	PPS Adapter	Gravity Cup (Aluminum)	Gravity Cup Lid (for Aluminum Cup)	Fluid Filter (10 pack)	HVLP Test Kit
Mini-HVLP	289323 (125 cc) [plastic]	25R580	289858 (125 cc) Standard	289816 (125 cc) 289817 (250 cc)	24A230	24B616
Conventional	289322 (600 cc) [plastic]	25R580	289860 (600 cc)	289818 (600 cc)	24A230	N/A
HVLP	289322 (600 cc) [plastic]	25R580	289860 (600 cc)	289818 (600 cc)	24A230	24B615
Side Cup Gravity	24J884 (400 cc) [aluminum]	N/A	N/A	24J885 (400 cc)	N/A	24B615

Technical Data

Maximum air inlet pressure	100 psi (0.7 MPa, 7 bar)
Maximum fluid working pressure	100 psi (0.7 MPa, 7 bar)
Gravity Feed:	
Maximum HVLP inbound air pressure	29 psi (0.2 MPa, 2 bar)*
Pressure Feed:	
Maximum HVLP inbound air pressure	24 psi (0.17 MPa, 1.7 bar)*
Air consumption	
Mini HVLP Gravity	7.0 SCFM at 29 psi (0.2 MPa, 2.0 bar)
Conventional Gravity	9.5 SCFM at 43 psi (0.3 MPa, 3.0 bar)
HVLP Gravity	9.5 SCFM at 29 psi (0.2 MPa, 2.0 bar)
HVLP Pressure	11.8 SCFM at 24 psi (0.17 MPa, 1.7 bar)
Conventional Pressure	11.0 SCFM at 50 psi (0.34 MPa, 3.4 bar)
Fluid and air operating temperature range	32-109°F (0-43° C)
Spray Gun	
Air inlet	1/4 npsm (R1/4-19)
Fluid inlet (pressure feed)	3/8-18 npsm (R3/8-19)
Mini HVLP Gravity weight with cup	0.9 lb (0.4 kg)
Standard Gravity Feed weight with cup	1.1 lb (0.5 kg)
Side Cup Gravity Feed weight with cup	1.2 lb (0.54 kg)
Pressure Feed weight	0.8 lb (0.37 kg)
Wetted parts	Aluminum, stainless steel, engineered plastic
Noise data**	
Mini HVLP Gravity Feed	
sound pressure at 29 psi (0.2 MPa, 2.0 bar)	78.17 dB(A)
sound power at 29 psi (0.2 MPa, 2.0 bar)	85.32 dB(A)
Conventional Gravity Feed	
sound pressure at 43 psi (0.3 MPa, 3.0 bar)	81.91 dB(A)
sound power at 43 psi (0.3 MPa, 3.0 bar)	89.23 dB(A)
HVLP Gravity Feed	
sound pressure at 29 psi (0.2 MPa, 2.0 bar)	80.60 dB(A)
sound power at 29 psi (0.2 MPa, 2.0 bar)	87.74 dB(A)
Conventional Pressure Feed	
sound pressure at 50 psi (0.34 MPa, 3.4 bar)	83.49 dB(A)
sound power at 50 psi (0.34 MPa, 3.4 bar)	90.70 dB(A)
HVLP Pressure Feed	
sound pressure at 24 psi (0.17 MPa, 1.7 bar)	81.96 dB(A)
sound power at 24 psi (0.17 MPa, 1.7 bar)	88.88 dB(A)
Gravity Cup Size	
Mini HVLP Gravity	4 oz (125 cc)
Standard Conventional/HVLP Gravity	20 oz (600 cc)
Side Cup Conventional/HVLP Gravity	13.5 oz (400 cc)

* Produces 10 psi (0.07 MPa, 0.7 bar) spraying pressure at aircap.

** All readings were taken with the fan valve fully open (fan full size) at the assumed operator position. Sound power measured per ISO 9614-2.



Modèles

Style de pistolet	Pièce No.	Diamètre pointeau/buse in. (mm)
Mini-HVLP alimenté par gravité	289256	0,024 (0,6)
	289257	0,031 (0,8)
	289258	0,039 (1,0)
	289259	0,047 (1,2)
	289260	0,055 (1,4)
Conventional - Alimentation par gravité standard	289243	0,051 (1,3)
	289244	0,055 (1,4)
	289245	0,059 (1,5)
	289246	0,071 (1,8)
HVLP - Alimentation par gravité standard	289238	0,051 (1,3)
	289239	0,055 (1,4)
	289240	0,059 (1,5)
	289241	0,071 (1,8)

Style de pistolet	Pièce No.	Diamètre pointeau/buse in. (mm)
Conventional - Réservoir latéral, alimentation par gravité	24J601	0.040 (1.0)
	24J602	0.047 (1.2)
	24J603	0.055 (1.4)
HVLP - Réservoir latéral, alimentation par gravité	24J599	0.047 (1.2)
	24J600	0.055 (1.4)
HVLP alimenté par pression	289247	0,039 (1,0)
	289248	0,047 (1,2)
	289249	0,055 (1,4)
	289250	0,071 (1,8)
Conventional alimenté par pression	289252	0,039 (1,0)
	289253	0,047 (1,2)
	289254	0,055 (1,4)
	289255	0,071 (1,8)

Mises en garde

Les mises en garde suivantes sont des mises en garde de sécurité relatives à la configuration, utilisation, mise à la terre, maintenance et réparation de ce matériel. Le point d'exclamation est une mise en garde générale et le symbole de danger fait référence à des risques spécifiques aux procédures. Voir ces Mises en garde. D'autres mises en garde spécifiques aux produits figurent aux endroits concernés.

 MISE EN GARDE	
	<p>RISQUES D'INCENDIE ET D'EXPLOSION</p> <p>Les vapeurs inflammables, vapeurs de solvant et de peinture par exemple, sur le lieu de travail peuvent s'enflammer ou exploser. Pour prévenir un incendie ou une explosion :</p> <ul style="list-style-type: none"> • N'utiliser l'équipement que dans des locaux bien ventilés. • Supprimer toutes les sources de feu, telles que les veilleuses, cigarettes, lampes de poche et bâches plastique (risque d'électricité statique). • Veiller à débarrasser la zone de travail de tout résidu, comme les solvants, les chiffons et l'essence. • Ne pas brancher ni débrancher de cordons d'alimentation électrique ni allumer ou éteindre la lumière en présence de vapeurs inflammables. • Mettre tous les appareils de la zone de travail à la terre. Voir Instructions de Mise à la terre. • Si l'on remarque la moindre étincelle d'électricité statique ou si l'on ressent une décharge électrique, arrêter le travail immédiatement. Ne pas utiliser le matériel tant que le problème n'a pas été identifié et résolu. • La présence d'un extincteur opérationnel est obligatoire dans la zone de travail.


MISE EN GARDE

DANGER EN CAS DE MAUVAISE UTILISATION DE L'ÉQUIPEMENT

Toute mauvaise utilisation du matériel peut provoquer des blessures graves, voire mortelles.

- Ne pas utiliser l'appareil si l'on est fatigué ou sous l'influence de drogue ou d'alcool
- Ne pas dépasser la pression ou température de service maximum spécifiée de l'élément le plus faible du système. Voir les **Caractéristiques techniques** de tous les manuels de l'appareil.
- Utiliser des produits et solvants compatibles avec les pièces en contact avec le produit. Voir les **Caractéristiques techniques** de tous les manuels d'équipement. Lire les mises en garde du fabricant de produit et de solvant. Pour plus d'informations sur votre produit, demandez la fiche de sécurité sur les produits à votre distributeur ou revendeur de produit.
- Vérifier le matériel quotidiennement. Réparer ou remplacer immédiatement toutes les pièces usées ou endommagées uniquement par des pièces d'origine du fabricant.
- Ne pas modifier cet équipement.
- N'utiliser ce matériel que pour l'usage auquel il est destiné. Contactez votre distributeur pour plus de renseignements.
- Écarter les flexibles et câbles électriques des zones de circulation, des bords coupants, des pièces en mouvement et des surfaces chaudes.
- Ne pas plier ni trop cintrer les flexibles ni les utiliser pour tirer l'appareil.
- Tenir les enfants et animaux à l'écart du site de travail.
- Se conformer à toutes les règles de sécurité applicables.


DANGER DES ÉQUIPEMENTS SOUS PRESSION

Tout jet de produit provenant du pistolet/de la vanne de distribution, de fuites ou de composants défectueux risque d'atteindre les yeux ou la peau et peut causer des blessures graves.

- Suivre la **Procédure de décompression** de ce manuel à chaque interruption de la pulvérisation et avant le nettoyage, la vérification ou l'entretien du matériel.
- Serrer tous les raccords produit avant d'utiliser l'équipement.
- Vérifier les flexibles, tuyaux et raccords quotidiennement. Remplacer immédiatement tout élément usé ou endommagé.


DANGERS PRESENTES PAR LES PRODUITS OU VAPEURS TOXIQUES

Les produits ou vapeurs toxiques peuvent causer de graves blessures ou entraîner la mort en cas de projection dans les yeux ou sur la peau, en cas d'inhalation ou d'ingestion.


- Lire la fiche de sécurité produit (MSDS) pour prendre connaissance des risques spécifiques aux produits utilisés.
- Stocker les produits dangereux dans des récipients homologués et les éliminer conformément à la réglementation en vigueur.
- Toujours porter des gants imperméables lors de la pulvérisation ou du nettoyage de l'équipement.

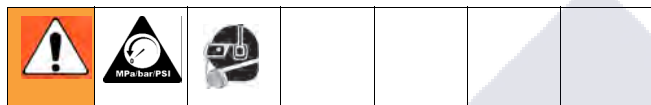

ÉQUIPEMENT DE PROTECTION DU PERSONNEL

Il est impératif que le personnel porte un équipement de protection approprié quand il travaille ou se trouve dans la zone de fonctionnement de l'installation pour éviter des blessures graves telles que des lésions oculaires, inhalation de fumées toxiques, brûlures et perte de l'ouïe notamment. Cet équipement comprend ce qui suit, la liste n'étant pas exhaustive :

- Lunettes de sécurité
- Le port de vêtements de sécurité et d'un respirateur est conseillé par le fabricant de produit et de solvant
- Gants
- Casque antibruit

Installation

 Les numéros de référence et les lettres entre parenthèses dans le texte renvoient aux nombres et lettres des figures.



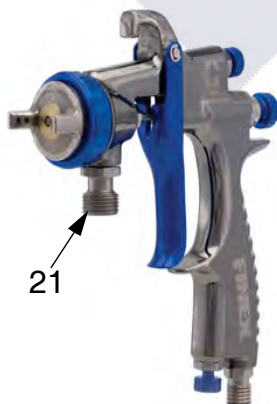
Raccordement de la conduite pneumatique

1. Monter le régulateur de la pression d'air sur la conduite d'alimentation pneumatique pour réguler la pression d'air.
2. Installer une vanne d'arrêt d'air en aval du régulateur d'air pour couper l'arrivée d'air au pistolet.
3. Brancher une alimentation en air propre, sec et filtré sur le raccord d'arrivée d'air (13). Raccorder l'autre extrémité sur la vanne d'arrêt.

Raccordement de la conduite de produit

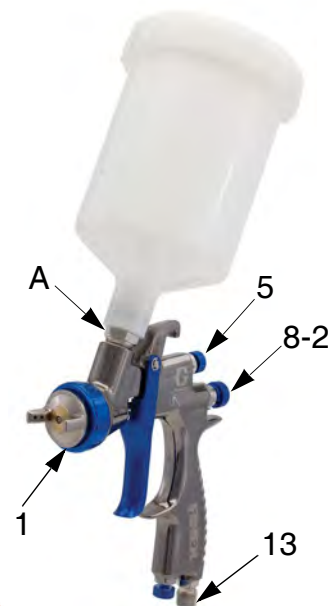
Pistolets alimentés sous pression :

1. Pour réguler la pression produit du pistolet, installer un régulateur sur la conduite produit.
2. Brancher le flexible produit sur l'entrée produit du pistolet, 3/8-18 npsm (R3/8-19) (21).
3. Raccorder l'autre extrémité à une conduite d'alimentation produit régulée.



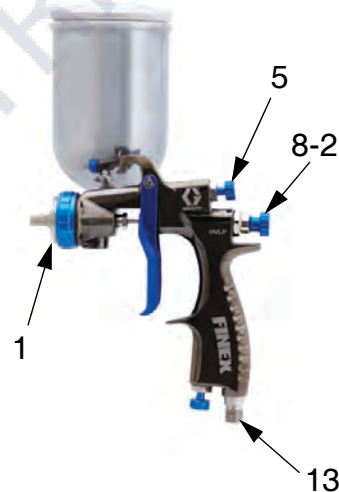
Pistolets alimentés par gravité standard :

1. Monter un filtre produit (24) sur l'entrée produit (A).
2. Visser le réservoir à gravité.
3. Enlever le couvercle du réservoir à gravité et remplir ce réservoir avec du solvant de rinçage si l'équipement est utilisé pour la première fois. (Voir **Rinçage**, page 17).
4. Après le rinçage, remplir le réservoir avec du produit et remettre le couvercle.



Pistolets alimentés par gravité avec réservoir latéral (sans filtre) :

1. Visser le réservoir à gravité.
2. Ajustez l'angle.
3. Enlever le couvercle du réservoir à gravité et remplir ce réservoir avec du solvant de rinçage si l'équipement est utilisé pour la première fois. (Voir **Rinçage**, page 17).
4. Après le rinçage, remplir le réservoir avec du produit et remettre le couvercle.



Fonctionnement



Procédure de décompression

1. Couper l'alimentation d'air et de produit.
2. Tenir fermement la partie métallique du pistolet contre les parois d'un seau métallique relié à la terre. Déclencher le pistolet pour décompresser.


Réglage du jet



Ne pas dépasser la pression pneumatique de service maximale figurant sur la première page. Prendre connaissance des mises en garde.

1. Tourner le chapeau d'air pour changer la direction du jet.
2. Pour un débit maximal et pour empêcher une usure prématurée de la buse produit, tourner le bouton de réglage du produit (8-2) dans le sens antihoraire jusqu'à ce que la course de la gâchette ne rencontre plus de pression. Ensuite, tourner le bouton encore d'un 1/2 tour.
3. Si l'on a besoin de limiter le débit, essayer des combinaisons pointeau/buse/chapeau d'air de dimensions différentes.

Si nécessaire, tourner le bouton de réglage produit (8-2) dans le sens horaire pour réduire le débit de produit en sortie. Toutefois, une pulvérisation en continu avec le bouton de réglage fermé augmente l'usure du pointeau produit et sur les faces entre la gâchette et l'axe de la vanne d'air.

 Si le bouton de réglage du produit (8-2) est tourné à fond, le pistolet n'émet que de l'air.

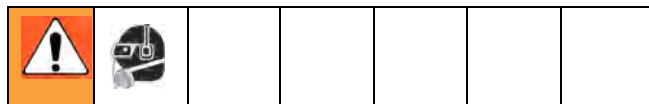
4. *Alimentation sous pression uniquement* : Régler la pression produit pour obtenir le débit désiré.
5. Tester le jet et l'atomisation en tenant le pistolet à environ 150 à 200 mm de la pièce d'essai.
 - a. Si le jet est trop large, tourner le bouton de réglage du jet (5) dans le sens horaire pour le rétrécir.
 - b. Pour obtenir un jet rond, entièrement tourner le bouton de réglage du jet (5) dans le sens horaire.
 - c. Si le jet est trop étroit, tourner le bouton (5) dans le sens antihoraire.
 - d. Recontrôler l'atomisation. Augmenter la pression d'alimentation d'air par incréments de 5 psi (34 kPa, 0,3 bar) jusqu'à obtenir l'atomisation désirée.

Pulvérisation du produit

Pour obtenir les meilleurs résultats :

- Tenir le pistolet perpendiculairement à la surface et à une distance constante d'env. 6 à 8 pouces (150 à 200 mm). Ne pas pencher le pistolet pendant l'application.
- Effectuer des passes lisses et égales se recouvrant d'env. 50 %.
- Pistolets HVLP : Adopter un mouvement de la main légèrement plus lent et faire moins de passes qu'avec un pistolet pneumatique classique. Éviter les coulures.

Entretien



Rinçage

Rincer avant de changer de couleur, avant que le produit ne sèche dans l'équipement, à la fin de la journée, avant l'entreposage et avant de réparer l'équipement. Utiliser un solvant compatible avec les pièces du pistolet en contact avec le produit, ainsi qu'avec le produit qui sera pulvérisé.

Pistolets alimentés par gravité :

1. Observer la **Procédure de décompression** page 16.
2. Éliminer toute peinture dans le réservoir.
3. Remplir le réservoir avec une petite quantité de solvant.
4. Pulvériser dans un conteneur de déchets métallique relié à la terre jusqu'à ce que le solvant sortant du pistolet soit entièrement propre.
5. Observer la **Procédure de décompression** page 16.

Pistolets alimentés sous pression :

1. Observer la **Procédure de décompression** page 16.
2. Débrancher les flexibles d'alimentation pneumatique et en produit du pistolet.
3. Raccorder le flexible d'alimentation en solvant sur le pistolet.
4. Appuyer une partie métallique du pistolet contre un récipient métallique mis à la terre, appuyer sur la gâchette et rincer le pistolet avec du solvant jusqu'à ce que toute trace de peinture ait disparu des conduits du pistolet.
5. Couper l'alimentation en solvant.
6. Observer la **Procédure de décompression** page 16.
7. Débrancher le flexible d'alimentation en solvant du pistolet.

Nettoyage quotidien

ATTENTION

- Ne pas plonger le pistolet dans du solvant. Le solvant dissout le lubrifiant, dessèche les joints et risque de boucher les passages d'air. Il est permis de plonger l'avant du pistolet dans le solvant, mais juste jusqu'au point de jonction avec le réservoir.
- Ne pas utiliser d'outils métalliques pour déboucher les trous du chapeau d'air car cela risque de les rayer et de déformer le profil du jet.
- Utiliser un solvant compatible.



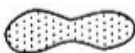
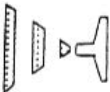
1. Observer la **Procédure de décompression**, page 16.
2. Nettoyer les filtres à produit et à air.
3. Vérifier si le pistolet et les flexibles produit ne fuient pas. Resserer les raccords ou remplacer l'équipement si nécessaire.
4. Rincer le pistolet avant tout changement de couleur et après une pulvérisation.
5. Démonter le réservoir et le filtre et les nettoyer (uniquement pour les modèles alimentés par gravité).
6. Enlever le chapeau d'air (1) et la buse (2) comme indiqué à la page 19 et les plonger dans un solvant compatible.

ATTENTION

Actionner le pistolet et utiliser l'instrument prévu (27) à chaque serrage ou démontage de la buse (2) afin d'éviter d'endommager le siège et la buse.

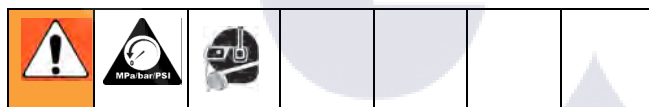
7. Utiliser un chiffon imbibé de solvant pour essuyer l'extérieur du pistolet.
8. Avant de replacer le chapeau d'air et la buse, les nettoyer et nettoyer l'avant du pistolet à l'aide d'un pinceau souple trempé dans un solvant compatible. Ne pas utiliser de brosse ni d'instrument métalliques. Pour nettoyer les trous du chapeau d'air, utiliser un instrument doux, comme un cure-dents.
9. Lubrification du pistolet.

Guide de dépannage

Problème	Cause	Solution
	Un côté du chapeau d'air (1) est sale ou bouché.	Nettoyer les orifices du chapeau d'air. Voir page 17. Insuffler de l'air dans les orifices jusqu'à ce qu'ils soient propres. Si les orifices du chapeau d'air sont endommagés, remplacer le chapeau d'air.
	a. Chapeau d'air (1) desserré. b. Chapeau d'air (1) ou buse (2) endommagé ou orifices obstrués par produit séché.	a. Resserrer. b. Faire pivoter le chapeau d'air de 180°. <i>Si le profil du jet suit le chapeau d'air</i> , le problème se situe à l'intérieur du chapeau. Nettoyer et examiner. Voir page 17. <i>Si le jet n'est pas corrigé</i> , remplacer le chapeau d'air. <i>Si le profil du jet ne suit pas le chapeau d'air</i> , le problème se situe au niveau de la buse. Nettoyer et examiner la buse. Voir page 17. <i>Si le jet n'est pas corrigé</i> , remplacer la buse.
	a. Pression d'atomisation réglée à un niveau trop élevé. b. Pulvérisation d'un produit trop liquide pour un jet trop large.	a. Réduire la pression d'air. b. Augmenter le réglage du produit en tournant le bouton de réglage (8-2) dans le sens antihoraire tout en réduisant la largeur du jet en tournant le bouton de réglage (5) dans le sens horaire. Ou bien augmenter la viscosité du produit.
 Crachotements	Présence d'air dans la peinture. a. Réservoir presque vide. b. Joint du pointeau sec (3-1, 3-2). c. Buse (2) trop desserrée. d. Produit séché entre la buse (2) et le corps du pistolet. e. Joint du pointeau endommagé.	a. Remplir le réservoir. b. Desserrer le siège du joint et mettre quelques gouttes d'huile machine sur le joint (3-1, 3-2). Resserrer le siège (4). c. Resserrer. d. Nettoyer la buse et la partie avant du pistolet. Voir la page 17. e. Remplacer le joint. Voir page 19.
Autres problèmes de jet.	a. Pistolet mal réglé. b. Pointeau lent (10).	a. Voir page 16. b. Nettoyer et lubrifier.
Jet rond impossible à obtenir.	Mauvaise mise en place du bouton de réglage du jet (5).	Nettoyer ou remplacer le bouton.
Pas de pulvérisation.	a. Pas de pression pneumatique au niveau du pistolet. b. Réservoir vide. c. Bouton de régulation produit (8-2) trop tourné dans le sens horaire. d. Produit trop épais pour une alimentation par gravité.	a. Contrôler l'arrivée et les conduites d'air. b. Remplir le réservoir. c. Tourner le bouton (8-2) dans le sens antihoraire. d. Diluer le produit.

Problème	Cause	Solution
Fuite de produit au niveau de l'écrou du presse-étoupe (4).	a. Écrou du presse-étoupe (4) desserré.	a. Resserrer, mais pas trop pour ne pas gripper le pointeau.
	b. Joint (3-1, 3-2) usé ou sec.	b. Lubrifier ou remplacer.
La buse (2) goutte.	a. Joint sec (3-1, 3-2).	a. Lubrifier.
	b. Pointeau lent (10).	b. Nettoyer et lubrifier.
	c. Écrou du presse-étoupe (4) trop serré.	c. Desserrer.
	d. Buse produit ou pointeau usé.	d. Remplacer.
Couche de finition mince et grossière.	a. Pistolet trop loin de la surface.	a. Tenir le pistolet à une distance d'environ 6 à 8 pouces (150 à 200 mm) de la surface.
	b. Pression d'atomisation réglée à un niveau trop élevé.	b. Réduire la pression d'air.
Couche de finition épaisse et piquetée (comme une peau d'orange).	Pistolet tenu trop près de la surface.	Tenir le pistolet à une distance d'environ 6 à 8 pouces (150 à 200 mm) de la surface.

Entretien




Préparation

1. Rincer et nettoyer le pistolet avant un entretien.
2. Observer la **Procédure de décompression** page 16.

Chapeau d'air, buse et pointeau

1. Dévisser le chapeau d'air (1).
2. Actionner le pistolet pendant le démontage de la buse (2) à l'aide de la clé (27).

 Actionner le pistolet et utiliser la clé (27) à chaque serrage ou démontage de la buse (2) afin d'éviter tout dommage.

3. Enlever le bouton de réglage produit (8-2) et le ressort (9).

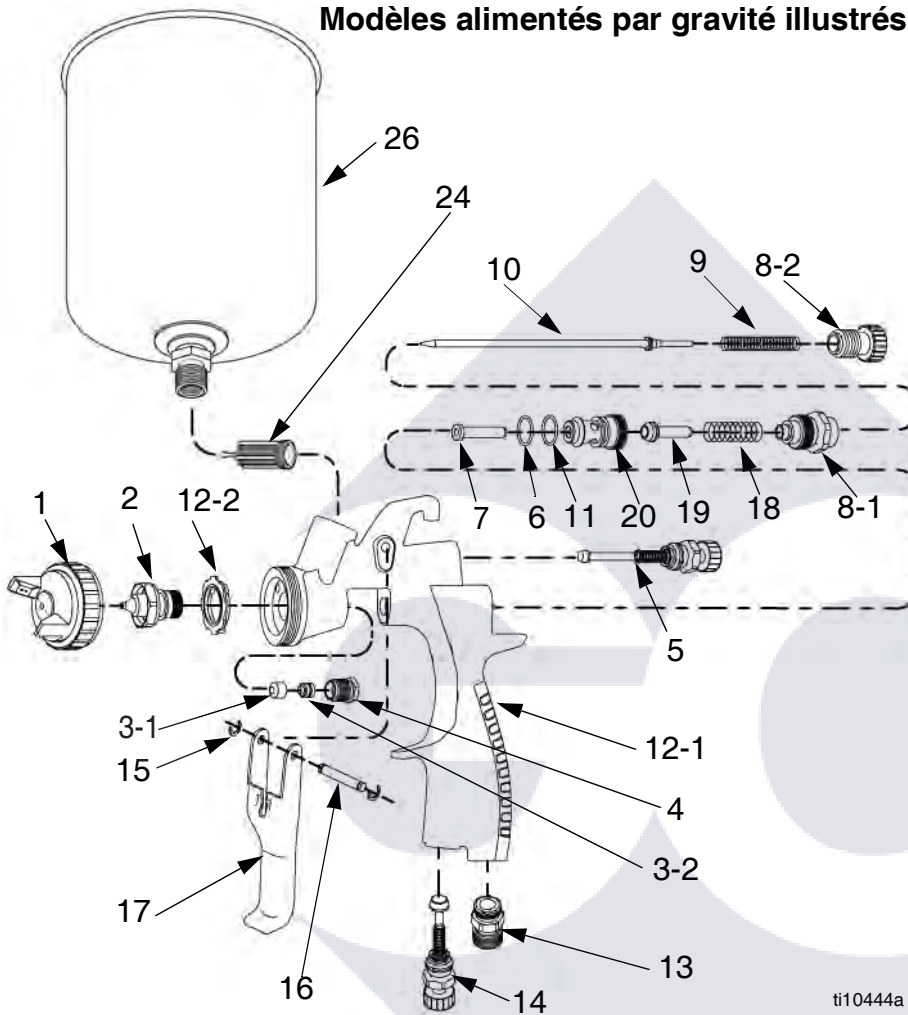
4. Sortir le pointeau produit (10) par l'arrière du pistolet.

Vanne d'air et joints du pointeau

1. Enlever les circlips (15), la broche (16) et la gâchette (17).
2. Déposer l'écrou du presse-étoupe (4) et retirer les joints produit (3-1, 3-2) du pointeau.
3. Retirer le guide produit (7) du pointeau.
4. Retirer le guide de réglage (8-1) du produit.
5. Sortir le ressort (18) et la vanne d'air (19).
6. Déposer les joints toriques et le siège (20) de la vanne d'air.
7. Remplacer les pièces si nécessaire.
8. Remonter le pistolet dans l'ordre inverse. Lubrifier le pointeau et les joints toriques. Veiller à actionner le pistolet lors du montage de la buse (2).

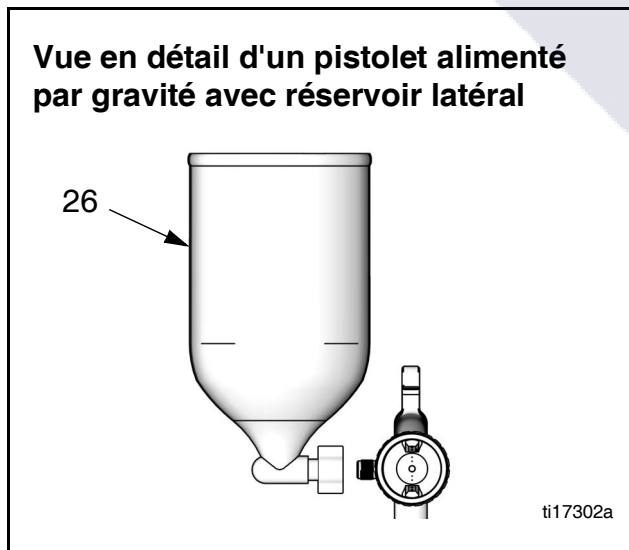
Pièces

Modèles alimentés par gravité illustrés



Ref.	Description	Qty
1	CAP, air	1
2	NOZZLE, fluid	1
3-1*	PACKING, fluid needle	1
3-2*	PACKING, fluid needle	1
4*	NUT, packing	1
5*	KNOB, pattern adjustment	1
6*	O-RING	1
7*	GUIDE, fluid needle	1
8-1*	GUIDE, fluid adjusting	1
8-2*	KNOB, fluid adjusting	1
9*	SPRING, fluid needle	1
10	NEEDLE, fluid	1
11*	O-RING	1
12-1	BODY, gun	1
12-2*	KIT, distributor, air	1
13*	FITTING, air inlet	1
14*	VALVE, air adjustment	1
15*	RING, retaining	2
16*	PIN, trigger	1
17*	KIT, trigger	1
18*	SPRING, air valve	1
19*	VALVE, air	1
20*	SEAT, air valve	1
21	CONNECTOR, fluid, (pressure feed models only, not shown)	1
24*	FILTER, fluid (standard gravity feed models only)	1
26	CUP, gravity, (gravity feed models only)	1
27	TOOL, gun (not shown)	1

Vue en détail d'un pistolet alimenté par gravité avec réservoir latéral



Kits de réparation

Style de pistolet	Diamètre pointe/buse in. (mm)	Kit pointe, buse, chapeau d'air (comprend les pièces 1, 2 et 10)	Kit garniture pour pointe (comprend les pièces 3-1, 3-2 et 4)	Kit de réparation du pistolet (comprend les pièces marquées d'un *)	Kit de distributeur d'air (comprend la pièce 12-2, par lot de 5)	Kit de rechange gâchette (comprend les pièces 15, 16 et 17)
Mini-HVLP alimenté par gravité	0,024 (0,6)	289286	288890	288895	24C308	24F059†
	0,031 (0,8)	289287				
	0,039 (1,0)	289288				
	0,047 (1,2)	289289				
	0,055 (1,4)	289290				
Conventional - Alimentation par gravité standard	0,039 (1,0)	289291	288891	288896	24C309	24F061†
	0,051 (1,3)	289292				
	0,055 (1,4)	289293				
	0,059 (1,5)	289294				
	0,071 (1,8)	289295				
HVLP - Alimentation par gravité standard	0,039 (1,0)	289296	288891	288896	24C309	24F061†
	0,051 (1,3)	289297				
	0,055 (1,4)	289298				
	0,059 (1,5)	289299				
	0,071 (1,8)	289300				
Conventional - Réservoir latéral, alimentation par gravité	0,040 (1,0)	24J881	288891	288897†	24C309	24F061†
	0,047 (1,2)	24J882				
	0,055 (1,4)	24J883				
HVLP - Réservoir latéral, alimentation par gravité	0,047 (1,2)	24J879	288891	288897†	24C309	24F061†
	0,055 (1,4)	24J880				
HVLP alimenté par pression	0,039 (1,0)	289301	288891	288897†	24C309	24F061†
	0,047 (1,2)	289302				
	0,055 (1,4)	289303				
	0,071 (1,8)	289304				
Conventional alimenté par pression	0,031 (0,8)	289305	288891	288897†	24C309	24F061†
	0,039 (1,0)	289306				
	0,047 (1,2)	289307				
	0,055 (1,4)	289308				
	0,071 (1,8)	289309				
	0,086 (2,2)	289677				
	0,098 (2,5)	289678				

† Comprend gâchette en acier inoxydable (17).

Accessoires

Style de pistolet	Kits réservoir à gravité (comprend la pièce 26)	Adaptateur PPS	Réservoir à gravité (aluminium)	Couvercle du réservoir à gravité (pour le réservoir aluminium)	Filtre produit (pack de 10)	Kit d'essai de HVLP
Mini-HVLP	289323 (125 cc) [plastique]	25R580	289858 (125 cc) Standard	289816 (125 cc) 289817 (250 cc)	24A230	24B616
Conventional	289322 (600 cc) [plastique]	25R580	289860 (600 cc)	289818 (600 cc)	24A230	N/A
HVLP	289322 (600 cc) [plastique]	25R580	289860 (600 cc)	289818 (600 cc)	24A230	24B615
Alimentation par gravité, réservoir latéral	24J884 (400 cc) [aluminium]	N/A	N/A	24J885 (400 cc)	N/A	24B615

Caractéristiques techniques

Pression d'arrivée d'air maximum	100 psi (0,7 MPa, 7 bars)
Pression maximale de service produit	100 psi (0,7 MPa, 7 bars)
Alimentation par gravité :	
Pression maximale d'entrée d'air pour le modèle HVLP	29 psi (0,2 MPa, 2 bar)*
Alimentation sous pression :	
Pression maximale d'entrée d'air pour le modèle HVLP	24 psi (0,17 MPa, 1,7 bar)*
Consommation d'air	
Mini HVLP alimenté par gravité	7,0 SCFM à 29 psi (0,2 MPa, 2,0 bars)
Conventional alimenté par gravité	9,5 SCFM à 43 psi (0,3 MPa, 3,0 bars)
HVLP alimenté par gravité	9,5 SCFM à 29 psi (0,2 MPa, 2,0 bars)
HVLP alimenté par pression	11,8 SCFM à 24 psi (0,17 MPa, 1,7 bars)
Conventional alimenté par pression	11,0 SCFM à 50 psi (0,34 MPa, 3,4 bars)
Plage de températures de produit et d'air de service	32-109°F (0-43° C)
Pistolet pulvérisateur	
Entrée d'air	1/4 npsm (R1/4-19)
Entrée produit (alimentation par pression)	3/8-18 npsm (R3/8-19)
Poids du Mini HVLP alimenté par gravité, avec réservoir	0,9 lb (0,4 kg)
Poids alimentation par gravité standard, avec réservoir	1,1 lb (0,5 kg)
Poids alimentation par gravité, avec réservoir latéral	1,2 lb (0,54 kg)
Poids alimentation par pression	0,8 lb (0,37 kg)
Pièces en contact avec le produit	Aluminium, acier inoxydable, plastique de hautes performances
Caractéristiques sonores**	
Mini HVLP alimenté par gravité	
pression sonore à 29 psi (0,2 MPa, 2,0 bars)	78,17 dB(A)
puissance sonore à 29 psi (0,2 MPa, 2,0 bars)	85,32 dB(A)
Conventional alimenté par gravité	
pression sonore à 43 psi (0,3 MPa, 3,0 bars)	81,91 dB(A)
puissance sonore à 43 psi (0,3 MPa, 3,0 bars)	89,23 dB(A)
HVLP alimenté par gravité	
pression sonore à 29 psi (0,2 MPa, 2,0 bars)	80,60 dB(A)
puissance sonore à 29 psi (0,2 MPa, 2,0 bars)	87,74 dB(A)
Conventional alimenté par pression	
pression sonore à 50 psi (0,34 MPa, 3,4 bars)	83,49 dB(A)
puissance sonore à 50 psi (0,34 MPa, 3,4 bars)	90,70 dB(A)
HVLP alimenté par pression	
pression sonore à 24 psi (0,17 MPa, 1,7 bars)	81,96 dB(A)
puissance sonore à 24 psi (0,17 MPa, 1,7 bars)	88,88 dB(A)
Taille du réservoir à gravité	
Mini HVLP alimenté par gravité	4 oz (125 cc)
Conventional/HVLP alimenté par gravité standard	20 oz (600 cc)
Conventional/HVLP alimenté par gravité, réservoir latéral	13,5 oz (400 cc)

* Production d'une pression de pulvérisation de 10 psi (0,07 MPa, 0,7 bar) au chapeau d'air.

** Toutes les mesures ont été prises avec la vanne de projection complètement ouverte (taille maximale du jet) à l'emplacement supposé de l'opérateur. La puissance sonore a été mesurée selon la norme ISO 9614-2.

Modelos

Tipo de pistola	Ref. pieza	Tamaño de la aguja/boquilla pulg. (mm)
Alimentación por gravedad Mini-HVLP	289256	0,024 (0,6)
	289257	0,031 (0,8)
	289258	0,039 (1,0)
	289259	0,047 (1,2)
	289260	0,055 (1,4)
Alimentación por gravedad estándar convencional	289243	0,051 (1,3)
	289244	0,055 (1,4)
	289245	0,059 (1,5)
	289246	0,071 (1,8)
Alimentación por gravedad estándar HVLP	289238	0,051 (1,3)
	289239	0,055 (1,4)
	289240	0,059 (1,5)
	289241	0,071 (1,8)

Tipo de pistola	Ref. pieza	Tamaño de la aguja/boquilla pulg. (mm)
Alimentación por gravedad con copela lateral convencional	24J601	0.040 (1.0)
	24J602	0.047 (1.2)
	24J603	0.055 (1.4)
Alimentación por gravedad con copela lateral HVLP	24J599	0.047 (1.2)
	24J600	0.055 (1.4)
Alimentación a presión HVLP	289247	0,039 (1,0)
	289248	0,047 (1,2)
	289249	0,055 (1,4)
	289250	0,071 (1,8)
Alimentación a presión convencional	289252	0,039 (1,0)
	289253	0,047 (1,2)
	289254	0,055 (1,4)
	289255	0,071 (1,8)

Advertencias

A continuación se ofrecen advertencias relacionadas con la seguridad de la puesta en marcha, utilización, conexión a tierra, mantenimiento y reparación de este equipo. El símbolo acompañado de una exclamación le indica que se trata de una advertencia y el símbolo de peligro se refiere a un riesgo específico. Consulte estas Advertencias. Siempre que sea pertinente, en este manual encontrará advertencias específicas del producto.

ADVERTENCIA



PELIGRO DE INCENDIOS Y EXPLOSIONES

Vapores inflamables, como los vapores de disolventes o de pinturas en la zona de trabajo pueden incendiarse o explotar. Para evitar un incendio o explosión:

- Utilice el equipo únicamente en áreas bien ventiladas.
- Elimine toda fuente de ignición, tales como las luces piloto, los cigarrillos, lámparas eléctricas portátiles y las cubiertas de plástico (arcos estáticos potenciales).
- Mantenga limpia la zona de trabajo, sin disolventes, trapos o gasolina.
- No enchufe ni desenchufe cables de alimentación ni apague ni encienda las luces en el área de pulverización.
- Conecte a tierra todo el equipo de la zona de trabajo. Vea instrucciones de **Conexión a tierra**.
- Si se aprecia la formación de electricidad estática durante el uso de este equipo, **deje de trabajar inmediatamente**. No utilice el sistema hasta haber identificado y corregido el problema.
- Guarde un extintor de incendios que funcione correctamente en la zona de trabajo.

! ADVERTENCIA



PELIGROS DEBIDOS A LA UTILIZACIÓN INCORRECTA DEL EQUIPO

El uso incorrecto puede causar la muerte o heridas graves.

- No utilice el equipo si está cansado o bajo los efectos de medicamentos o del alcohol.
- No exceda la presión máxima de trabajo o la temperatura del componente con menor valor nominal del sistema. Consulte la sección **Características técnicas** de todos los manuales del equipo.
- Utilice fluidos y disolventes que sean compatibles con las piezas húmedas del equipo. Consulte las **Características técnicas** de todos los manuales del equipo. Lea las advertencias de los fabricantes de los fluidos y los disolventes. Para obtener información completa sobre su material, pida las hojas de MSDS a su distribuidor o detallista.
- Revise el equipo a diario. Repare o cambie inmediatamente las piezas desgastadas o dañadas únicamente con piezas de repuesto originales del fabricante.
- No altere ni modifique el equipo.
- Utilice el equipo únicamente para el fin para el que ha sido destinado. Si desea información, póngase en contacto con su distribuidor.
- Desvíe las mangueras de zonas de tráfico intenso, de curvas pronunciadas, de piezas movibles y superficies calientes.
- No retuerza ni doble las mangueras, ni las utilice para arrastrar el equipo.
- Mantenga a los niños y a los animales lejos de la zona de trabajo.
- Respete todas las normas relativas a la seguridad.



PELIGROS DEL EQUIPO A PRESIÓN

El fluido procedente de la pistola/válvula dispensadora, y las fugas de las mangueras o de piezas rotas pueden salpicar fluido en los ojos o en la piel y causar lesiones graves.

- Siga el **Procedimiento de descompresión** de este manual, cuando deje de pulverizar y antes de limpiar, revisar o reparar el equipo.
- Apriete todas las conexiones antes de accionar el equipo.
- Compruebe diariamente las mangueras, los tubos y los acoplamientos. Reemplace inmediatamente las piezas desgastadas o dañadas.



PELIGRO DE VAPORES O LÍQUIDOS TÓXICOS

Los líquidos o los vapores tóxicos pueden provocar serios daños o incluso la muerte si entran en contacto con los ojos o la piel, se inhalan o se ingieren.

- Lea la Hoja de datos de seguridad del material (MSDS) para conocer los peligros específicos de los líquidos que esté utilizando.
- Guarde los fluidos peligrosos en un envase adecuado que haya sido aprobado. Proceda a su evacuación siguiendo las directrices pertinentes.
- Utilice siempre guantes impermeables cuando pulverice o limpie el equipo.



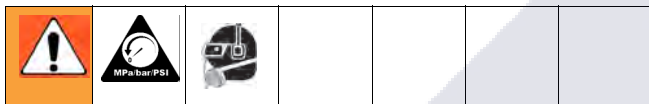
EQUIPO DE PROTECCIÓN PERSONAL

Debe utilizar equipo de protección adecuado cuando trabaje, revise o esté en la zona de funcionamiento del equipo, con el fin de protegerse contra la posibilidad de lesionarse gravemente, incluyendo lesiones oculares, la inhalación de vapores tóxicos, quemaduras o la pérdida auditiva. Este equipo incluye, pero no está limitado a:

- Gafas de protección
- Ropas protectoras y un respirador, tal como recomiendan los fabricantes del fluido y del disolvente
- Guantes
- Protección auditiva

Puesta en marcha

Los números de referencia y las letras entre paréntesis en el texto se refieren a los números y las letras de las ilustraciones.



Conexión del tubo de aire

1. Instale un regulador de aire en la tubería de alimentación de aire de la pistola para controlar la presión de aire.
2. Instale una válvula de cierre corriente abajo del regulador de aire para cerrar el aire de la pistola.
3. Conecte un suministro de aire filtrado, seco y limpio al racor de entrada de aire (13). Conecte el otro extremo a la válvula de cierre.

Conexión del suministro de fluido

Pistolas con alimentación a presión:

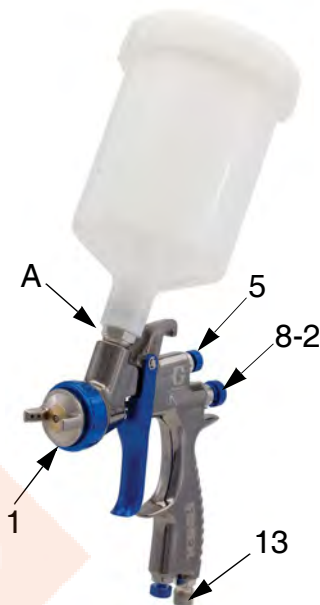
1. Instale un regulador de fluido en la línea de fluido para controlar la presión de fluido destinada a la pistola.
2. Conecte la manguera de fluido a la entrada de fluido de la pistola, 3/8-18 npsm (R3/8-19) (21).



3. Conecte el otro extremo a una tubería de suministro de fluido regulada.

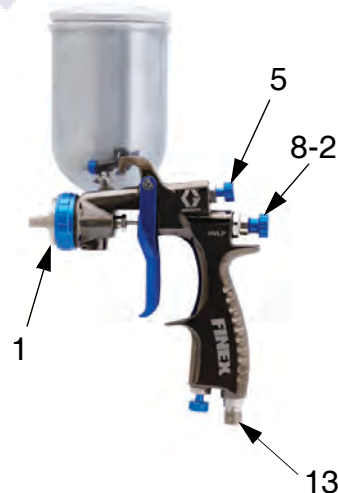
Pistolas con alimentación por gravedad estándar:

1. Instale el filtro de fluido (24) en la entrada de fluido (A).
2. Enrosque la copela de gravedad.
3. Si es la primera vez que utiliza el equipo, retire la tapa de la copela de gravedad y rellene la copela con disolvente para lavarla. (Vea **Lavado**, página 29.)
4. Después de lavar, llene la copela de fluido y coloque la tapa.

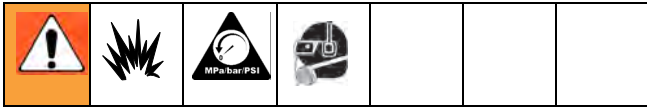


Pistolas con alimentación por gravedad con copela lateral (sin filtro):

1. Enrosque la copela de gravedad.
2. Ajuste el ángulo.
3. Si es la primera vez que utiliza el equipo, retire la tapa de la copela de gravedad y rellene la copela con disolvente para lavarla. (Vea **Lavado**, página 29.)
4. Después de lavar, llene la copela de fluido y coloque la tapa.



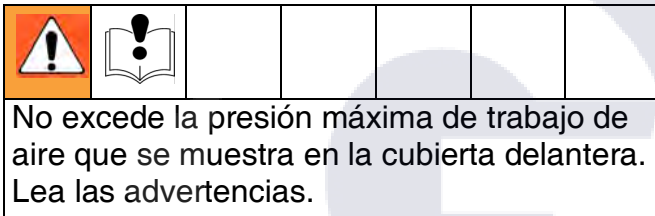
Funcionamiento



Procedimiento de descompresión


1. Apague el suministro de aire y de fluido.
2. Sujete firmemente una pieza metálica de la pistola contra el borde de una cubeta metálica conectada a tierra. Dispare la pistola para liberar la presión.

Ajuste del chorro de pulverización



1. Gire el cabezal aire para cambiar la dirección del chorro de pulverización.
2. Para conseguir el caudal máximo de fluido y evitar el desgaste prematuro de la boquilla de fluido, gire la perilla de ajuste del fluido (8-2) en sentido antihorario hasta que no sienta resistencia en el gatillo. Después gire la perilla hacia afuera 1/2 vuelta más.
3. Si fuera necesario restringir más el caudal de fluido, utilice una combinación diferente de tamaño de aguja/boquilla/cabezal de aire.

Si fuera necesario, puede girar la perilla de ajuste de fluido (8-2) en sentido horario para reducir el volumen de la salida de fluido. Sin embargo, la pulverización continua con la perilla de ajuste de fluido completamente cerrada provoca el desgaste abrasivo acelerado de la aguja de fluido y el interfaz del gatillo/eje de la válvula de aire.

 Si el botón de ajuste del fluido (8-2) se gira completamente, la pistola sólo emite aire.

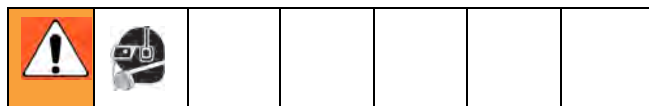
4. *Sólo sistemas con alimentación a presión:* Ajuste la presión de fluido hasta conseguir el caudal de fluido deseado.
5. Ensaye el chorro de pulverización y la atomización mientras mantiene la pistola a una distancia aproximada de 150 a 200 mm de la pieza de prueba.
 - a. Si el chorro es demasiado ancho, gire la perilla de ajuste del chorro (5) en sentido horario para estrecharlo.
 - b. Para crear un chorro redondo, desconecte el aire del chorro girando la perilla de ajuste (5) completamente en el sentido horario.
 - c. Si el chorro de pulverización es demasiado estrecho, gire el mando (5) en sentido antihorario.
 - d. Compruebe la atomización. Aumente la presión de suministro de aire a la pistola en incrementos de 5 psi (34 kPa, 0,3 bar) hasta que obtenga la atomización deseada.

Aplicación del fluido

Para obtener los mejores resultados:

- Mantenga la pistola perpendicular a la superficie y a una distancia uniforme de aproximadamente 150-200 mm (6-8 pulgadas). No incline la pistola mientras pulveriza.
- Utilice pasadas uniformes y suaves, con una superposición aproximada del 50%.
- Pistolas HVLP: Utilice un movimiento de las manos ligeramente más lento y dé menos pasadas para cubrir la pieza que cuando utilice una pistola de pulverización convencional. Evite ir demasiado deprisa o bajar demasiado la pistola.

Mantenimiento



Lavado

Lave el equipo pistola antes de cambiar de color, antes de que el fluido pueda secarse en el equipo, al final de la jornada de trabajo, antes de guardarlo y antes de repararlo. Utilice un disolvente que sea compatible con las piezas húmedas de la pistola y con fluido que vaya a pulverizar.

Pistolas con alimentación por gravedad:

1. Siga el **Procedimiento de descompresión**, página 28.
2. Elimine la pintura que queda en la copela.
3. Llene la copela con una pequeña cantidad de disolvente.
4. Pulverice hacia el interior de un recipiente metálico de desecho conectado a tierra, hasta que salga disolvente limpio.
5. Siga el **Procedimiento de descompresión**, página 28.

Pistolas con alimentación a presión:

1. Siga el **Procedimiento de descompresión**, página 28.
2. Desconecte la manguera de suministro de fluido y la manguera de suministro de aire de la pistola.
3. Conecte la manguera de suministro de disolvente a la pistola.
4. Sujete la parte metálica de la pistola contra un recipiente metálico conectado a tierra, dispárela, y lávela con el disolvente hasta que desaparezca de los conductos de la pistola todo rastro de pintura.
5. Cierre el suministro de disolvente.
6. Siga el **Procedimiento de descompresión**, página 28.
7. Desconecte la manguera de suministro de disolvente de la pistola.

Limpieza diaria



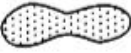
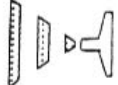
PRECAUCIÓN
<ul style="list-style-type: none"> • No sumerja la pistola en disolvente. El disolvente disuelve el lubricante, seca las empaquetaduras, y podría obstruir los conductos de aire. Puede sumergir el extremo delantero de la pistola en disolvente sólo hasta que haya cubierto la conexión de la copela. • No utilice herramientas de metal para limpiar los orificios del casquillo de aire y de la boquilla de pulverización ya que pueden rayarse y distorsionar la forma del chorro de pulverización. • Utilice un disolvente compatible.

1. Siga el **Procedimiento de descompresión**, en la página 28.
2. Limpie los filtros de la tubería de aire del fluido.
3. Verifique que no existan fugas de producto en la pistola y mangueras de producto. Apriete las conexiones o cambie las piezas si fuera necesario.
4. Lave la pistola antes de cambiar de producto o de color y cuando haya acabado de pulverizar.
5. Desmonte la copela y el filtro y límpielos (sólo modelos de alimentación por gravedad).
6. Retire el cabezal de aire (1) y la boquilla (2) tal como se indica en la página 31 y sumérgalos en un disolvente compatible.

PRECAUCIÓN
<p>Dispárela pistola y utilice la herramienta para pistolas (27) siempre que apriete o desmonte la boquilla (2) para evitar el dañar el asiento de la aguja y la boquilla.</p>

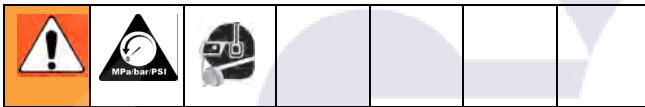
7. Utilice un trapo humedecido en disolvente para limpiar la parte exterior de la pistola.
8. Antes de volver a instalar el cabezal de aire y la boquilla, límpielos así como la parte delantera de la pistola con un cepillo de cerda suave mojado en un disolvente compatible. No utilice un cepillo de alambre ni herramientas metálicas. Para limpiar los orificios del cabezal de aire, utilice un accesorio suave, como un palillo de dientes.
9. Lubrique la pistola.

Localización de averías

Problema	Causa	Solución
	Un lado del cabezal de aire (1) está sucio o atascado.	Limpie los orificios del cabezal de aire. Vea la página 29. Sopla aire por los orificios hasta que estén limpios. Si los orificios del cabezal de aire están dañados, reemplace el cabezal de aire.
	a. Afloje el cabezal de aire (1). b. Cabezal de aire (1) o boquilla de fluido (2) secos o dañados.	a. Apriete. b. Gire el cabezal de aire 180°. <i>Si el chorro sigue el cabezal de aire, el problema está en el cabezal de aire. Límpielo e inspecciónelo. Vea la página 29. Si el chorro no es correcto, reemplace el cabezal de aire. Si el chorro no sigue el cabezal de aire, el problema está en la boquilla de fluido. Límpiela e inspecciónela. Vea la página 29. Si el chorro no es correcto, reemplace la boquilla.</i>
	a. Presión del aire de pulverización demasiado alto. b. Se pulveriza un material poco viscoso con un chorro demasiado ancho.	a. Reduzca la presión de aire. b. Aumente el control del material girando la perilla de ajuste del fluido (8-2) en sentido antihorario, mientras reduce la anchura del chorro girando la perilla de ajuste (5) en sentido horario. O aumente la viscosidad del material.
 Salpicaduras	Entra aire en la corriente de pintura. a. La copela está casi vacía. b. Empaquetadura de la aguja seca (3-1, 3-2). c. La boquilla de fluido (2) está demasiado floja. d. Material seco entre la boquilla (2) y el cuerpo de la pistola. e. Junta de la aguja dañada.	a. Llene la copela. b. Afloje el asiento de la empaquetadura y eche unas gotas de aceite de máquina en la empaquetadura (3-1, 3-2). Vuelva a apretar el asiento (4). c. Apriete. d. Limpie la boquilla y la parte delantera de la pistola. Vea la página 29. e. Reemplace el sello. Vea la página 31.
Otros problemas del chorro de pulverización.	a. La pistola no está bien ajustada. b. Aguja lenta (10).	a. Vea la página 28. b. Limpie y lubrique.
Incapaz de conseguir un chorro redondo.	La perilla de ajuste del chorro (5) no asienta correctamente.	Limpie o reemplace la perilla.
No pulveriza.	a. No llega presión de aire a la pistola. b. Copela vacía. c. Se ha girado la perilla de ajuste del fluido (8-2) demasiado en sentido horario. d. Fluido demasiado espeso para la alimentación por gravedad.	a. Inspeccione el suministro y las líneas de aire. b. Llene la copela. c. Ajuste la perilla (8-2) en sentido antihorario. d. Diluya el material.
Fugas de fluido por la tuerca prensaestopas (4).	a. Tuerca prensaestopas (4) floja. b. Empaquetadura (3-1, 3-2) desgastada o seca.	a. Apriete, pero no tan fuerte como para agarrotar la aguja. b. Lubrique o reemplace.

Problema	Causa	Solución
Goteo por la boquilla de fluido (2).	a. Empaquetadura seca (3-1, 3-2).	a. Lubricar.
	b. Aguja lenta (10).	b. Limpie y lubrique.
	c. Tuerca de la empaquetadura (4) demasiado apretada.	c. Aflojar.
	d. Boquilla o aguja de fluido desgastada.	d. Reemplace.
Acabado fino, rugoso.	a. La pistola se mantiene demasiado lejos de la superficie.	a. Mantenga la pistola a unos 150 – 200 mm (6 – 8 pulgadas) de la superficie.
	b. Presión del aire de pulverización demasiado alto.	b. Reduzca la presión de aire.
Acabado espeso, con hoyuelos (parecido a la piel de naranja).	Se sujeta la pistola demasiado cerca de la superficie.	Mantenga la pistola a unos 150 – 200 mm (6 – 8 pulgadas) de la superficie.


Servicio



Preparación

1. Lave y limpie la pistola antes de revisarla.
2. Siga el **Procedimiento de descompresión**, página 28.

Cabezal de aire, boquilla y aguja

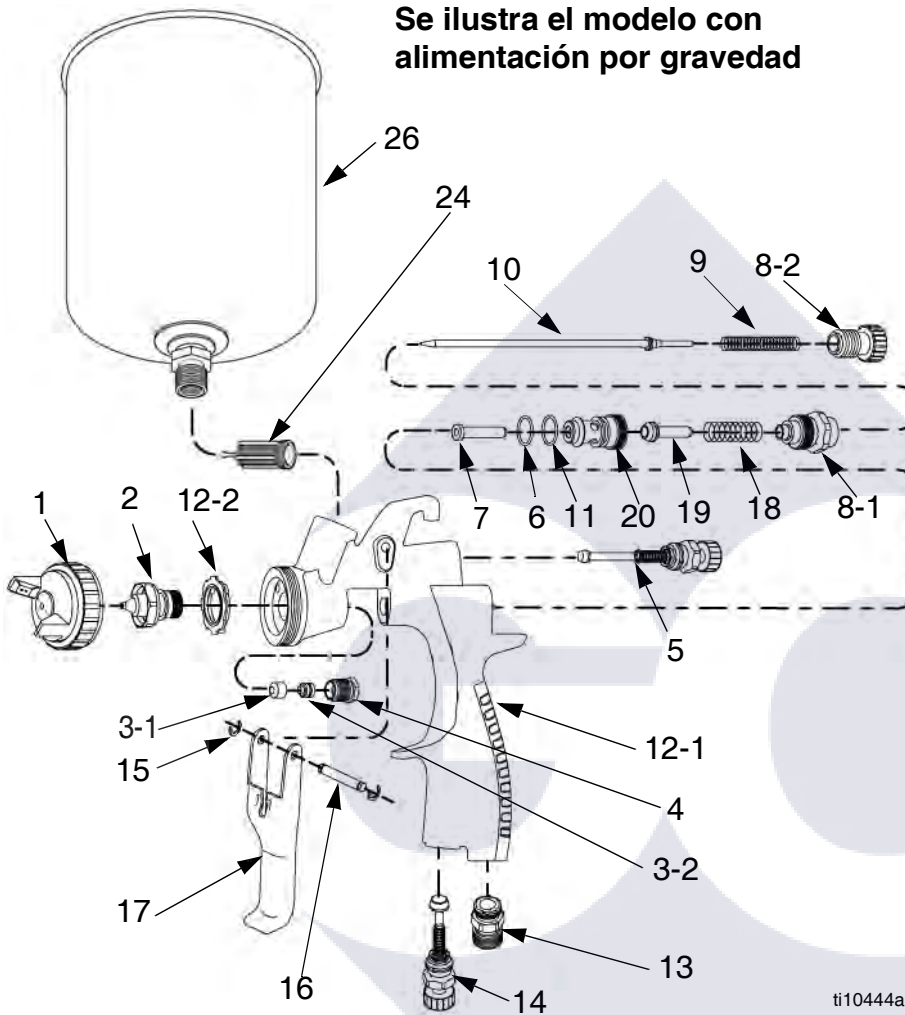
1. Desenrosque el cabezal de aire (1).
2. Dispare la pistola mientras desmonta la boquilla (2) con la herramienta para pistolas (27).
 Dispare la pistola y utilice la herramienta para pistolas (27) siempre que apriete o desmonte la boquilla (2) para evitar daños.
3. Retire la perilla de ajuste de fluido (8-2) y el muelle (9).
4. Saque la aguja de fluido (10) por la parte trasera de la pistola.

Empaquetaduras de la válvula de aire y de la aguja

1. Retire los anillos de retención (15), el pasador (16) y el gatillo (17).
2. Retire la tuerca prensaestopas (4) y las empaquetaduras de la aguja de fluido (3-1, 3-2).
3. Retire la guía de la aguja de fluido (7).
4. Retire la guía de ajuste de fluido (8-1).
5. Retire el muelle (18) y la válvula neumática (19).
6. Desmonte el asiento de la válvula neumática (20) y las juntas tóricas.
7. Reemplace las piezas según sea necesario.
8. Vuelva a montar la pistola en el orden inverso. Lubrique la aguja y las juntas tóricas. Asegúrese de disparar la pistola cuando instale la boquilla (2).

Piezas

Se ilustra el modelo con alimentación por gravedad



Ref.	Description	Qty
1	CAP, air	1
2	NOZZLE, fluid	1
3-1*	PACKING, fluid needle	1
3-2*	PACKING, fluid needle	1
4*	NUT, packing	1
5*	KNOB, pattern adjustment	1
6*	O-RING	1
7*	GUIDE, fluid needle	1
8-1*	GUIDE, fluid adjusting	1
8-2*	KNOB, fluid adjusting	1
9*	SPRING, fluid needle	1
10	NEEDLE, fluid	1
11*	O-RING	1
12-1	BODY, gun	1
12-2*	KIT, distributor, air	1
13*	FITTING, air inlet	1
14*	VALVE, air adjustment	1
15*	RING, retaining	2
16*	PIN, trigger	1
17*	KIT, trigger	1
18*	SPRING, air valve	1
19*	VALVE, air	1
20*	SEAT, air valve	1
21	CONNECTOR, fluid, (pressure feed models only, not shown)	1
24*	FILTER, fluid	1
26	CUP, gravity, plastic, (gravity feed models only)	1
27	TOOL, gun (not shown)	1

ti10444a

Detalle de las pistolas con alimentación por gravedad con copela lateral



ti17302a

Kits de reparación

Tipo de pistola	Tamaño de la aguja/boquilla pulg. (mm)	Kit de aguja, boquilla y casquillo de aire (incluye las piezas 1, 2 y 10)	Kit de empaquetaduras de la aguja (incluye las piezas 3-1, 3-2 y 4)	Kit de reconstrucción de la pistola (incluye las piezas marcadas *)	Kit de distribuidor de aire (incluye la pieza 12-2, paquete de 5)	Kit de reparación del gatillo (incluye las piezas 15, 16 y 17)
Alimentación por gravedad Mini-HVLP	0,024 (0,6)	289286	288890	288895	24C308	24F059†
	0,031 (0,8)	289287				
	0,039 (1,0)	289288				
	0,047 (1,2)	289289				
	0,055 (1,4)	289290				
Alimentación por gravedad estándar convencional	0.039 (1.0)	289291	288891	288896	24C309	24F061†
	0.051 (1.3)	289292				
	0.055 (1.4)	289293				
	0.059 (1.5)	289294				
	0.071 (1.8)	289295				
Alimentación por gravedad estándar HVLP	0.039 (1.0)	289296	288891	288896	24C309	24F061†
	0.051 (1.3)	289297				
	0.055 (1.4)	289298				
	0.059 (1.5)	289299				
	0.071 (1.8)	289300				
Alimentación por gravedad con copela lateral convencional	0.040 (1.0)	24J881	288891	288897†	24C309	24F061†
	0.047 (1.2)	24J882				
	0.055 (1.4)	24J883				
Alimentación por gravedad con copela lateral HVLP	0.047 (1.2)	24J879	288891	288897†	24C309	24F061†
	0.055 (1.4)	24J880				
Alimentación a presión HVLP	0,039 (1,0)	289301	288891	288897†	24C309	24F061†
	0,047 (1,2)	289302				
	0,055 (1,4)	289303				
	0,071 (1,8)	289304				
Alimentación a presión convencional	0,031 (0,8)	289305	288891	288897†	24C309	24F061†
	0,039 (1,0)	289306				
	0,047 (1,2)	289307				
	0,055 (1,4)	289308				
	0,071 (1,8)	289309				
	0,086 (2,2)	289677				
	0,098 (2,5)	289678				

† Incluye gatillo de acero inoxidable (17).

Accesorios

Tipo de pistola	Kits de copelas de gravedad (incluye pieza 26)	Adaptador PPS	Copela de gravedad (aluminio)	Tapa de la copela de gravedad (para la copela aluminio)	Filtro de fluido (paquete de 10)	Kit de prueba de HVLP
Mini-HVLP	289323 (125 cc) [plástico]	25R580	289858 (125 cc) Estándar	289816 (125 cc) 289817 (250 cc)	24A230	24B616
Convencional	289322 (600 cc) [plástico]	25R580	289860 (600 cc)	289818 (600 cc)	24A230	N/A
HVLP	289322 (600 cc) [plástico]	25R580	289860 (600 cc)	289818 (600 cc)	24A230	24B615
Por gravedad, con copela lateral	24J884 (400 cc) [aluminio]	N/A	N/A	24J885 (400 cc)	N/A	24B615

Características técnicas

Presión máxima de entrada de aire	100 psi (0,7 MPa, 7 bar)
Presión máxima de trabajo del fluido	100 psi (0,7 MPa, 7 bar)
Alimentación por gravedad:	
Presión de entrada de aire de HVLP máxima	29 psi (0,2 MPa, 2 bar)*
Alimentación a presión:	
Presión de entrada de aire de HVLP máxima	24 psi (0,17 MPa, 1,7 bar)*
Consumo de aire	
Mini HVLP por gravedad	7,0 SCFM a 29 psi (0,2 MPa, 2,0 bar)
Convencional por gravedad	9,5 SCFM a 43 psi (0,3 MPa, 3,0 bar)
HVLP por gravedad	9,5 SCFM a 29 psi (0,2 MPa, 2,0 bar)
HVLP a presión	11,8 SCFM a 24 psi (0,17 MPa, 1,7 bar)
Presión convencional	11,0 SCFM a 50 psi (0,34 MPa, 3,4 bar)
Gama de temperaturas de funcionamiento del fluido y de aire	
	32-109°F (0-43° C)
Pistola de pulverización	
Entrada de aire	1/4 npsm (R1/4-19)
Entrada de fluido (alimentación a presión)	3/8-18 npsm (R3/8-19)
Peso de mini HVLP por gravedad con copela	0,9 kg (0,4 lb)
Alimentación por gravedad estándar, peso con copela	1,1 kg (0,5 lb)
Alimentación por gravedad con copela lateral, peso con copela	1,2 kg (0,54 lb)
Peso de sist, de alimentación a presión	0,37 kg (0,8 lb)
Piezas húmedas	Aluminio, acero inoxidable, plástico modificado
Datos de ruido**	
Mini HVLP con alimentación por gravedad	
Presión de sonido a 29 psi (0,2 MPa, 2,0 bar)	78,17 dB(A)
Potencia de sonido a 29 psi (0,2 MPa, 2,0 bar)	85,32 dB(A)
Alimentación convencional por gravedad	
Presión de sonido a 43 psi (0,3 MPa, 3,0 bar)	81,91 dB(A)
Potencia de sonido a 43 psi (0,3 MPa, 3,0 bar)	89,23 dB(A)
HVLP con alimentación por gravedad	
Presión de sonido a 29 psi (0,2 MPa, 2,0 bar)	80,60 dB(A)
Potencia de sonido a 29 psi (0,2 MPa, 2,0 bar)	87,74 dB(A)
Alimentación por presión convencional	
Presión de sonido a 50 psi (0,34 MPa, 3,4 bar)	83,49 dB(A)
Potencia de sonido a 50 psi (0,34 MPa, 3,4 bar)	90,70 dB(A)
HVLP con alimentación a presión	
Presión de sonido a 24 psi (0,17 MPa, 1,7 bar)	81,96 dB(A)
Potencia de sonido a 24 psi (0,17 MPa, 1,7 bar)	88,88 dB(A)
Tamaño de la copela de gravedad	
Mini HVLP por gravedad	4 oz (125 cc)
Alimentación por gravedad estándar convencional/HVLP	20 oz (600 cc)
Alimentación por gravedad con copela lateral convencio- nal/HVLP	13,5 oz (400 cc)

* Produce una presión de pulverización de 10 psi (0,07 MPa, 0,7 bar) en el cabezal de aire.

** Todas las lecturas fueron tomadas con la válvula de abanico completamente abierta (tamaño máximo del abanico) y en la posición normal del operario. La potencia de sonido fue medida según la ISO 9614-2.

Graco Standard Warranty

Garantie Graco standard

Garantía Estándar de Graco

Graco warrants all equipment referenced in this document which is manufactured by Graco and bearing its name to be free from defects in material and workmanship on the date of sale to the original purchaser for use. With the exception of any special, extended, or limited warranty published by Graco, Graco will, for a period of twelve months from the date of sale, repair or replace any part of the equipment determined by Graco to be defective. This warranty applies only when the equipment is installed, operated and maintained in accordance with Graco's written recommendations.

This warranty does not cover, and Graco shall not be liable for general wear and tear, or any malfunction, damage or wear caused by faulty installation, misapplication, abrasion, corrosion, inadequate or improper maintenance, negligence, accident, tampering, or substitution of non-Graco component parts. Nor shall Graco be liable for malfunction, damage or wear caused by the incompatibility of Graco equipment with structures, accessories, equipment or materials not supplied by Graco, or the improper design, manufacture, installation, operation or maintenance of structures, accessories, equipment or materials not supplied by Graco.

This warranty is conditioned upon the prepaid return of the equipment claimed to be defective to an authorized Graco distributor for verification of the claimed defect. If the claimed defect is verified, Graco will repair or replace free of charge any defective parts. The equipment will be returned to the original purchaser transportation prepaid. If inspection of the equipment does not disclose any defect in material or workmanship, repairs will be made at a reasonable charge, which charges may include the costs of parts, labor, and transportation.

THIS WARRANTY IS EXCLUSIVE, AND IS IN LIEU OF ANY OTHER WARRANTIES, EXPRESS OR IMPLIED, INCLUDING BUT NOT LIMITED TO WARRANTY OF MERCHANTABILITY OR WARRANTY OF FITNESS FOR A PARTICULAR PURPOSE.

Graco's sole obligation and buyer's sole remedy for any breach of warranty shall be as set forth above. The buyer agrees that no other remedy (including, but not limited to, incidental or consequential damages for lost profits, lost sales, injury to person or property, or any other incidental or consequential loss) shall be available. Any action for breach of warranty must be brought within two (2) years of the date of sale.

GRACO MAKES NO WARRANTY, AND DISCLAIMS ALL IMPLIED WARRANTIES OF MERCHANTABILITY AND FITNESS FOR A PARTICULAR PURPOSE, IN CONNECTION WITH ACCESSORIES, EQUIPMENT, MATERIALS OR COMPONENTS SOLD BUT NOT MANUFACTURED BY GRACO. These items sold, but not manufactured by Graco (such as electric motors, switches, hose, etc.), are subject to the warranty, if any, of their manufacturer. Graco will provide purchaser with reasonable assistance in making any claim for breach of these warranties.

In no event will Graco be liable for indirect, incidental, special or consequential damages resulting from Graco supplying equipment hereunder, or the furnishing, performance, or use of any products or other goods sold hereto, whether due to a breach of contract, breach of warranty, the negligence of Graco, or otherwise.

FOR GRACO CANADA CUSTOMERS

The Parties acknowledge that they have required that the present document, as well as all documents, notices and legal proceedings entered into, given or instituted pursuant hereto or relating directly or indirectly hereto, be drawn up in English. Les parties reconnaissent avoir convenu que la rédaction du présente document sera en Anglais, ainsi que tous documents, avis et procédures judiciaires exécutés, donnés ou intentés, à la suite de ou en rapport, directement ou indirectement, avec les procédures concernées.

Graco Information

For the latest information about Graco products, visit www.graco.com. For patent information, see www.graco.com/patents.

TO PLACE AN ORDER, contact your Graco distributor or call to identify the nearest distributor.

Phone: 612-623-6921 **or Toll Free:** 1-800-328-0211 **Fax:** 612-378-3505

POUR PLACER UNE COMMANDE OU DEMANDER DU SERVICE, contactez votre distributeur Graco.

PARA REMITIR UN PEDIDO O SOLICITAR SERVICIO, póngase en contacto con el distribuidor de Graco.

*All written and visual data contained in this document reflects the latest product information available at the time of publication.
Graco reserves the right to make changes at any time without notice.*

Original instructions. Traduction des instructions originales. Traducción de las instrucciones originales.

This manual contains English, French, and Spanish. MM 312388

Graco Headquarters: Minneapolis

International Offices: Belgium, China, Japan, Korea

GRACO INC. AND SUBSIDIARIES • P.O. BOX 1441 • MINNEAPOLIS MN 55440-1441 • USA

Copyright 2007, Graco Inc. All Graco manufacturing locations are registered to ISO 9001.

www.graco.com

Revision R, August 2022