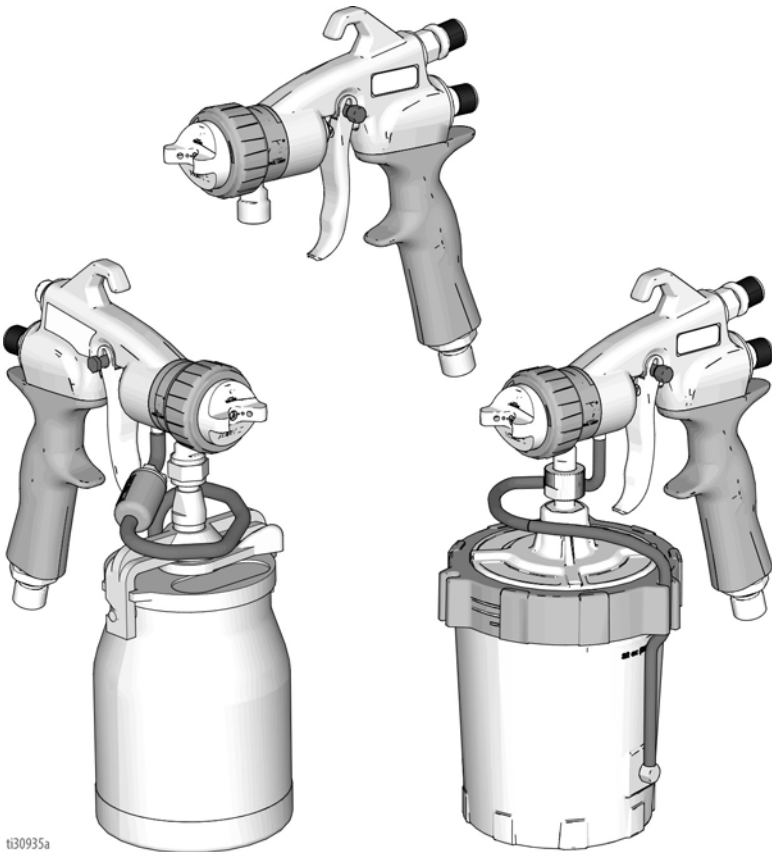


HVLP International Gun Manuals

3A5121B
EN

Language	HVLP Edge II / Edge II Plus Gun
English	3A4980
中文 (Chinese)	3A4991
한국어 (Korean)	3A4992



t30935a



*All written and visual data contained in this document reflects the latest product information available at the time of publication.
Graco reserves the right to make changes at any time without notice.*

This manual contains English. MM 3A5121

Sales Offices: Minneapolis, Detroit

International Offices: Belgium Korea, Hong Kong, Japan

GRACO INC. P.O. BOX 1441 MINNEAPOLIS, MN 55440-1441

www.graco.com

Printed in USA 3A5121B