

# Extension, Heavy Duty

308824D

EN



## Important Safety Instructions

Read all warnings and instructions in this manual. Be familiar with the controls and the proper usage of the equipment. Save these instructions.

*3600 psi (248 bar, 24.8 MPa) Maximum Working Pressure*

### **Model 232121, Series A**

10 in. (25 cm) length

### **Model 24V832, Series A**

14 in. (36 cm) length

### **Model 232122, Series A**

20 in. (50 cm) length

### **Model 232123, Series A**

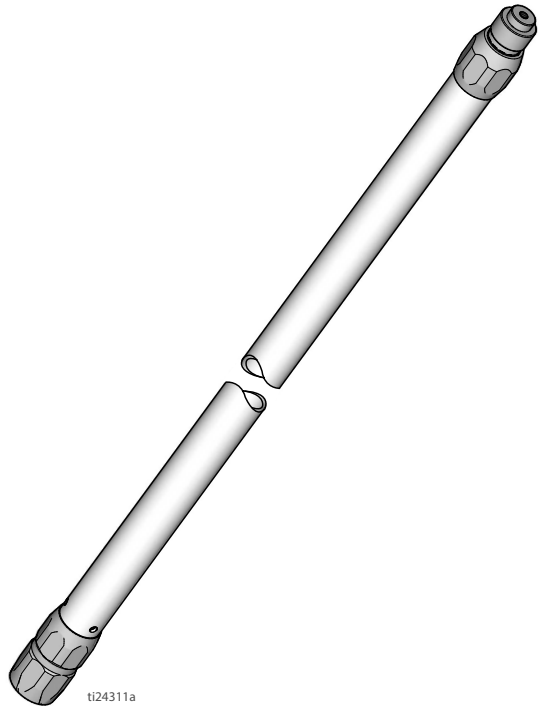
40 in. (1 m) length

### **Model 232124, Series A**

60 in. (1.5 m) length

### **Model 232125, Series A**

80 in. (2 m) length



## Pressure Relief Procedure



### SKIN INJECTION HAZARD

The system pressure must be manually relieved to prevent the system from starting or spraying accidentally. Fluid under high pressure can be injected through the skin and cause serious injury. To reduce the risk of an injury from injection, splashing fluid, or moving parts, follow the **Pressure Relief Procedure** whenever you:

- are instructed to relieve the pressure,
- stop working,
- check or service any of the system equipment,
- install or clean the accessory.




1. Engage trigger lock.
2. Shut off the power supply to the pump and open any air bleed valves in the system.
3. Disengage the trigger lock.

4. Hold a metal part of the gun firmly to a *grounded* metal pail. Trigger the gun to relieve pressure.
5. Engage the trigger lock.
6. Open all fluid drain valves, having a waste container ready to catch drainage. Leave drain valve(s) open until you are ready to spray again.
7. If you suspect the spray tip or hose is clogged or that pressure has not been fully relieved:
  - a. VERY SLOWLY loosen tip guard retaining nut or hose end coupling to relieve pressure gradually.
  - b. Loosen nut or coupling completely.
  - c. Clear hose or tip obstruction.

### NOTICE

Do not use extensions in combinations beyond 14 ft (4.27 m). Extensions used in combination beyond 14 ft (4.27 m) may result in equipment damage.

## Installation

				
--	---	---	--	--

**FIRE AND EXPLOSION HAZARD**  
 Do not use 1,1,1-trichloroethane, methylene chloride, other halogenated hydrocarbon solvents or fluids containing such solvents in pressurized aluminum equipment. Such use could result in a chemical reaction, with possibility of explosion.

Gasket (6) must be in place before installing frame (1). If gasket is not in place there is a potential injection hazard which could result in serious injury.

Refer to your sprayer and spray gun manuals for appropriate warnings and instructions for safe operation of this extension.

1. Follow **Pressure Relief Procedure** on page 1.
2. Install heavy duty extension on spray gun. Wrench tighten with two wrenches.
3. Install accessory. Wrench tighten with two wrenches.
4. Prime pump.

## Accessories

**Swivel Union: 240010**  
 Use to couple multiple extensions

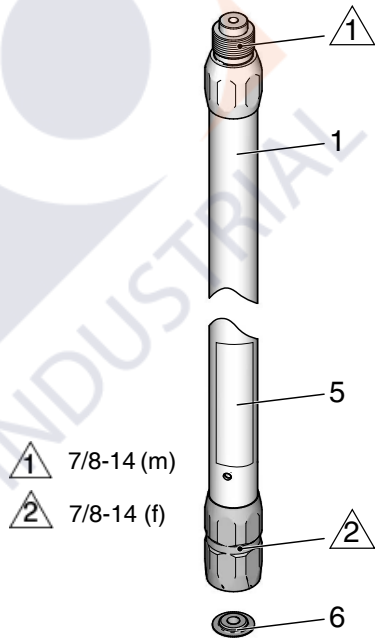
## Parts List

Ref No.	Part No.	Description	Qty
1		EXTENSION	1
5▲	193357	LABEL, warning	1
6	15H622	GASKET, non-metallic	1

▲ Replacement Danger and Warning labels, tags and cards are available at no cost.

**Wetted Parts:** . . . . .Aluminum, nylon

## Parts Drawing



# Graco Information

For the latest information about Graco products, visit [www.graco.com](http://www.graco.com).

For patent information, see [www.graco.com/patents](http://www.graco.com/patents).

**TO PLACE AN ORDER**, contact your Graco distributor or call 1-800-690-2894 to identify the nearest distributor.



*All written and visual data contained in this document reflects the latest product information available at the time of publication.*

*Graco reserves the right to make changes at any time without notice.*

Original instructions. This manual contains English. MM 308824

**Graco Headquarters:** Minneapolis  
**International Offices:** Belgium, China, Japan, Korea

**GRACO INC. AND SUBSIDIARIES • P.O. BOX 1441 • MINNEAPOLIS MN 55440-1441 • USA**

**Copyright 2014, Graco Inc. All Graco manufacturing locations are registered to ISO 9001.**

[www.graco.com](http://www.graco.com)  
Revision D August 2014