

STAINLESS STEEL 2-Gallon Pressure Tanks

308370W

EN

Industrial grade pressure tanks used to supply, agitate, and pressurize finishing liquids. For professional use only. Maximum Air Inlet Pressure 100 psi (0.7 MPa, 7 bar)

Maximum Air Inlet Pressure: 100 psi (0.7 MPa, 7 bar)

Maximum Working Fluid Pressure

*Low-Pressure Regulated Tank 15 psi (0.1 MPa, 1 bar)
(for HVLP or low-pressure, fine-adjustment applications)*

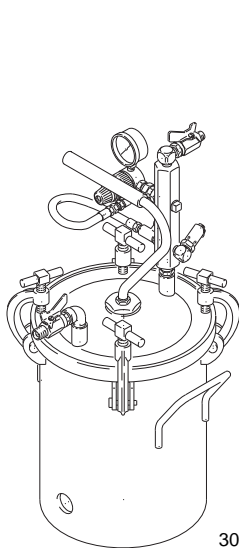
High-Pressure Regulated Tank 100 psi (0.7 MPa, 7 bar)

See page 2 for model information, including approvals.



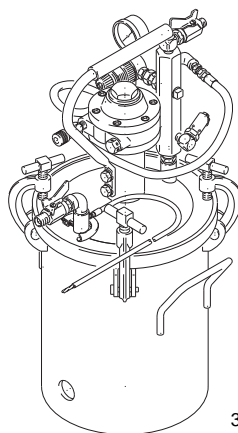
Important Safety Instructions

Read all warnings and instructions in this manual. Save these instructions.



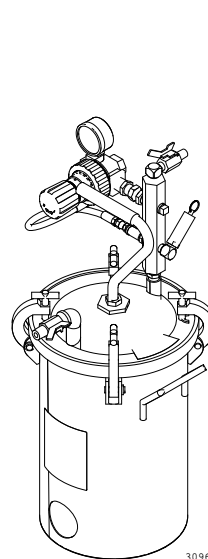
3092a

Low-Pressure Tank



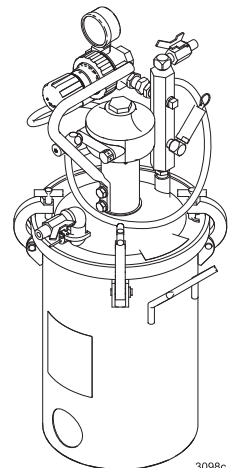
3094b

Low-Pressure Tank
with Agitator



3096

High-Pressure Tank



3098c

High-Pressure Tank
with Agitator





Table of Contents

Table of Contents	2	Maintenance	9
Models	2	Cleaning the Tank	9
Warnings	3	Maintaining Air Regulator	9
Typical System	5	Maintaining the Agitator Air Motor	9
Installation	6	Parts	11
Pressure Relief Procedure	6	Agitator	11
Grounding	6	Low-Pressure Stainless Steel Tank	13
Connecting Hoses	6	Low Pressure Stainless Steel Tank with Agitator	15
Recommended Hose Sizes (general purpose) ..	7	High-Pressure Stainless Steel Tank	17
Installing An Agitator	7	High Pressure Stainless Steel Tank with Agitator	19
Operation	8	Accessories	21
Preparing the Fluid	8	Dimensions	22
Filling the Tank	8	Technical Specifications	23
Operating the Pressure Tank	8	California Proposition 65	23
Safety Relief Valve	8	Graco Standard Warranty	24








Models

Pressure Tank Regulation Series B	Pressure Tank Series B	Pressure Tank with Agitator Series B
Low Pressure	236155	236156*
High Pressure	236157	236158*

All pressure tanks listed are CE approved to the Pressure Equipment Directive (Category II). Items marked * also are approved to  2575  II 1/2 G T6 ITS03ATEX11251

Warnings

The following warnings are for the setup, use, grounding, maintenance, and repair of this equipment. The exclamation point symbol alerts you to a general warning and the hazard symbols refer to procedure-specific risks. When these symbols appear in the body of this manual or on warning labels, refer back to these Warnings. Product-specific hazard symbols and warnings not covered in this section may appear throughout the body of this manual where applicable.

 WARNING	
 	<p>EQUIPMENT MISUSE HAZARD</p> <p>Misuse can cause death or serious injury.</p> <ul style="list-style-type: none"> • Do not operate the unit when fatigued or under the influence of drugs or alcohol. • Do not exceed the maximum working pressure or temperature rating of the lowest rated system component. See Technical Specifications in all equipment manuals. • Use fluids and solvents that are compatible with equipment wetted parts. See ‡ in all equipment manuals. Read fluid and solvent manufacturer's warnings. For complete information about your material, request MSDS from distributor or retailer. • Do not leave the work area while equipment is energized or under pressure. • Turn off all equipment and follow the Pressure Relief Procedure when equipment is not in use. • Check equipment daily. Repair or replace worn or damaged parts immediately with genuine manufacturer's replacement parts only. • Do not alter or modify equipment. Alterations or modifications may void agency approvals and create safety hazards. • Make sure all equipment is rated and approved for the environment in which you are using it. • Use equipment only for its intended purpose. Call your distributor for information. • Route hoses and cables away from traffic areas, sharp edges, moving parts, and hot surfaces. • Do not kink or over bend hoses or use hoses to pull equipment. • Keep children and animals away from work area. • Comply with all applicable safety regulations.
   	<p>FIRE AND EXPLOSION HAZARD</p> <p>Flammable fumes, such as solvent and paint fumes, in work area can ignite or explode. To help prevent fire and explosion:</p> <ul style="list-style-type: none"> • Use equipment only in well ventilated area. • Eliminate all ignition sources; such as pilot lights, cigarettes, portable electric lamps, and plastic drop cloths (potential static arc). • Keep work area free of debris, including solvent, rags and gasoline. • Do not plug or unplug power cords, or turn power or light switches on or off when flammable fumes are present. • Ground all equipment in the work area. See Grounding instructions. • Use only grounded hoses. • Hold gun firmly to side of grounded pail when triggering into pail. Do not use pail liners unless they are antistatic or conductive. • Stop operation immediately if static sparking occurs or you feel a shock. Do not use equipment until you identify and correct the problem. • Keep a working fire extinguisher in the work area.

WARNING



MOVING PARTS HAZARD

Moving parts can pinch, cut or amputate fingers and other body parts.

- Keep clear of moving parts.
- Do not operate equipment with protective guards or covers removed.
- Pressurized equipment can start without warning. Before checking, moving, or servicing equipment, follow the **Pressure Relief Procedure** and disconnect all power sources.



TOXIC FLUID OR FUMES HAZARD

Toxic fluids or fumes can cause serious injury or death if splashed in the eyes or on skin, inhaled, or swallowed.

- Read MSDSs to know the specific hazards of the fluids you are using.
- Store hazardous fluid in approved containers, and dispose of it according to applicable guidelines.



Typical System

Reference numbers and letters in parentheses in the text refer to references in the illustrations and the parts drawings.

See page 21 for Accessories that are available from Graco. Be sure that all accessories are properly sized to withstand the pressures in the system.

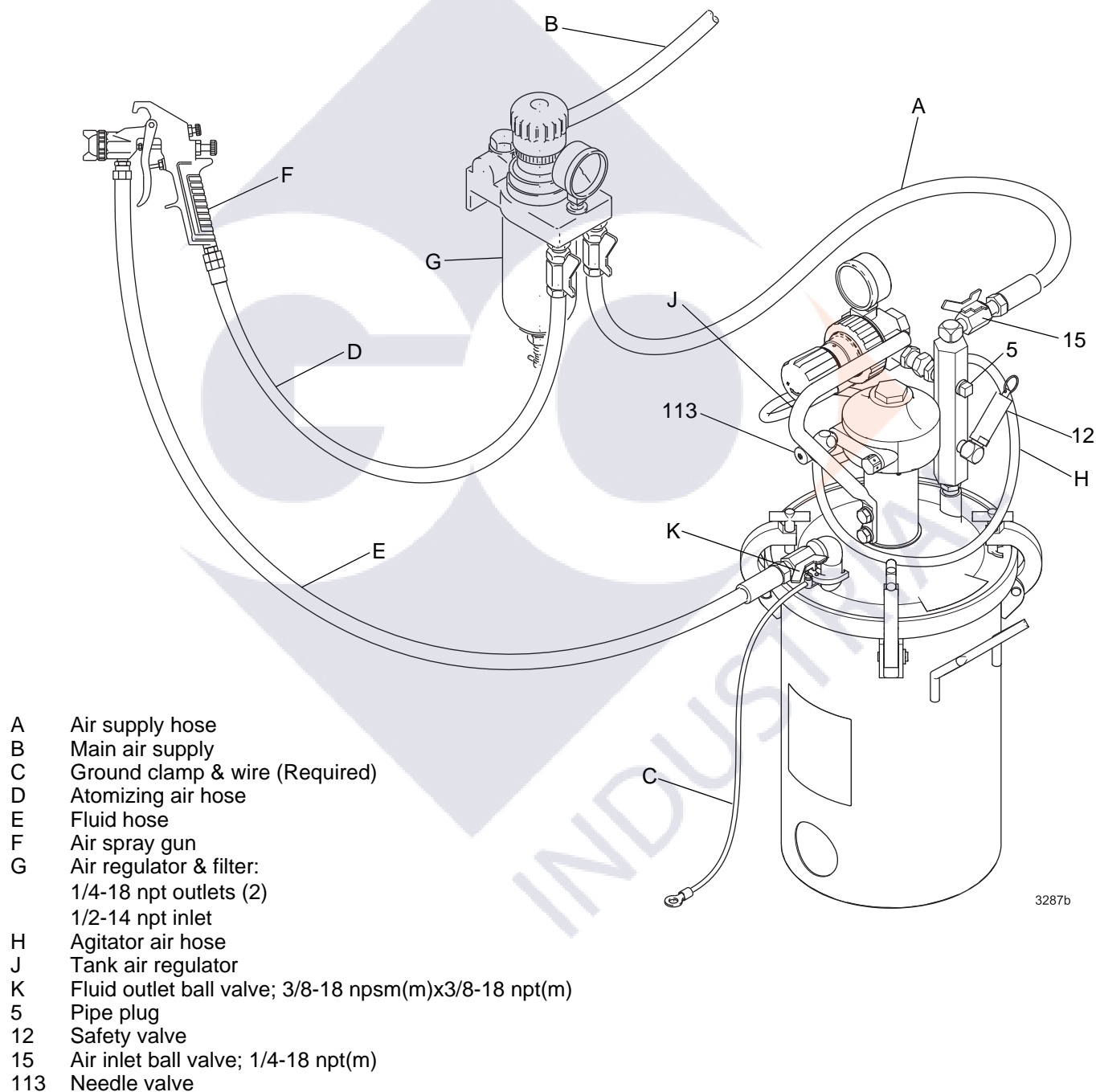






FIG. 1

Installation

						
<p>Always maintain a minimum of 1 in. clearance between rotating agitator parts and container to prevent sparks from contact.</p>						

Pressure Relief Procedure

						
<p>The pressure tanks remain pressurized until pressure is manually relieved. To reduce the risk of serious injury from pressurized fluid or accidental spray from the gun, always follow this procedure to relieve pressure in the tank at the following times:</p> <ul style="list-style-type: none"> • Before you check or service any part of the spray system • Before you loosen or remove the pressure tank cover or fill port • Whenever you stop spraying 						

1. Shut off the air supply to the tank by closing the air inlet valve (15). Refer to FIG. 2.
2. Open the drain cock fitting (7) by turning it counter-clockwise. Refer to FIG. 3.
3. Wait until there is no air escaping through the drain cock fitting before removing the cover or opening the fill port.
4. Leave the drain cock fitting (7) open until you have reinstalled the cover or fill port.

NOTE: Torque c-clamps to 8-10 ft-lbs, approximately 1/2 to 1 turn past hand tight.

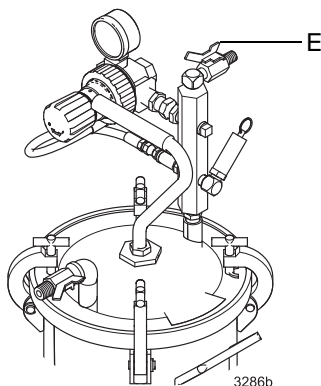


FIG. 2

Grounding

Check your local code for detailed grounding instructions for your area and type of equipment. Be sure to ground the pressure tank by connecting one end of a 12 awg (1.5 mm²) minimum ground wire to the pressure tank and the other end of the wire to a true earth ground.

Connecting Hoses

See FIG. 2 Connect an air supply hose to the 1/4 npt(m) air inlet valve (15) and your air supply. Install an air regulator and filter (G) upstream from the air inlet valve to remove dirt and moisture from your air supply. See **Accessories** on page 21. Connect a fluid hose (E) between the 3/8 npsm(m) outlet valve (K) and the fluid inlet of your spray gun.

To add a second air regulator to control air to a spray gun, see **Accessories** on page 21 for Gun Air Regulator Kit. The second air regulator installs in place of pipe plug (5). See FIG. 3.

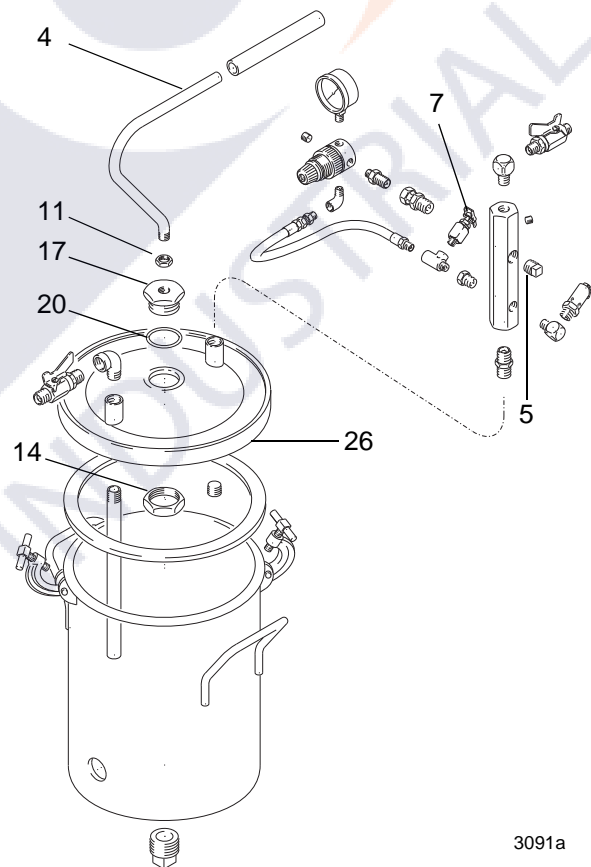




FIG. 3

Recommended Hose Sizes (general purpose)

Fluid		Air	
For runs of:	Use:	For runs of:	Use:
0 to 35 ft (0 to 11 m)	3/8" ID	0 to 50 ft (0 to 15 m)	5/16" ID
35 to 100 ft (11 to 30 m)	1/2" ID	50 to 100 ft (15 to 30 m)	3/8" ID
100 to 200 ft (30 to 61 m)	3/4" ID	100 ft+ (30 m+)	1/2" ID

Installing An Agitator

1. Follow the Pressure Relief Procedure on page 5.

					
<p>This is a pressurized tank. Always follow the Pressure Relief Procedure on page 5 before opening the tank cover or fill port. This reduces the risk of serious injury, including splashing in the eyes or on the skin, or injury from moving parts. These injuries can result if the tank pressure is not fully relieved.</p>					

2. Remove the cover (26) from the tank. Remove the hex jam nut (14) from bottom of the cover. Remove the o-ring (20), adapter plug (17), and handle (4). Keep the hex jam nut (14). See FIG. 3.
3. Fit the gasket (217) under the coupling housing (112), and place the motor shaft (111) through cover's center hole. Screw the hex jam nut (14) onto the coupling housing, and torque it to 50 ft-lb (68 N-m). See FIG. 4.
4. Position the shaft coupling (218) over the motor shaft (111), and tighten the top setscrew into shaft. Insert the shaft (220) into the shaft coupling, and tighten the lower setscrew into the shaft. Thread on the nut (221), mixer blade (222), washer (223), and nut (224). See FIG. 4.
5. Connect the elbow (105) to the manifold (10) in place of plug. Connect the agitator hose (114) to the elbow (105). See FIG. 4.

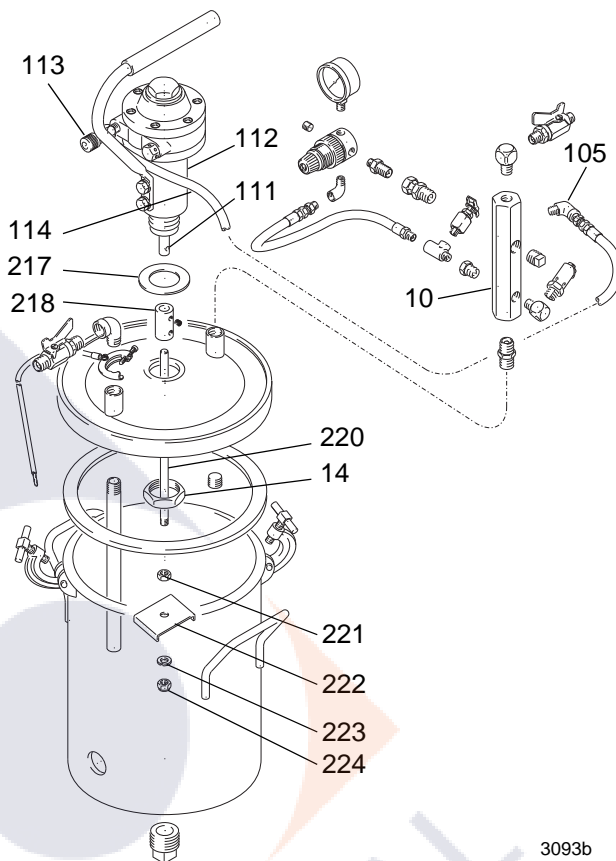




FIG. 4

3093b

Operation

						
---	---	--	--	--	--	--

This is a pressurized tank. Always follow the Pressure Relief Procedure on page 5 before opening the tank cover or fill port. This reduces the risk of serious injury, including splashing in the eyes or on the skin, or injury from moving parts. These injuries can result if the tank pressure is not fully relieved.

2. Open the air inlet ball valve (15).

NOTICE

Do not operate the agitator at a high speed for a long period of time. Excessive agitator speed can cause foaming of fluid (making the fluid unusable), vibration, and increased wear on the parts. Always agitate the fluid only enough to maintain even mixing.

Preparing the Fluid

Prepare the fluid according to the manufacturer's instructions. Strain the fluid to remove large particles that could clog the spray gun or the siphon tube.

Filling the Tank




1. Before filling the tank, follow the Pressure Relief Procedure on page 5.
2. Place fluid into the tank. Remove the cover and place a 2-gallon antistatic polyethylene liner in the tank. Pour the fluid into the antistatic polyethylene liner (see **Accessories**, page 21).
3. Replace the cover and tighten the c-clamp handles to 8-10 ft-lbs, approximately 1/2 to 1 turn past hand tight.

3. Start and adjust the agitator:
 - a. Slowly open the needle valve (113).
 - b. Adjust the speed of the agitator, with the needle valve, to about 40 to 60 rpm.
4. Adjust the tank air regulator (J) to the approximate pressure desired.
5. Open fluid outlet ball valve (K).
6. Turn on the atomizing air to the air spray gun. Test spray a small area and adjust the pressure as necessary. Always use the lowest possible air pressure to obtain the desired results.

Operating the Pressure Tank

(See FIG. 2)

1. Close the tank air regulator (J) by turning the knob counterclockwise and turn on the air supply.

						
---	---	---	--	--	--	--



Over pressurizing the tank or accessories could cause a part to rupture. To reduce the risk of serious injury, including splashing in the eyes or on the skin, and property damage, never exceed the maximum air and fluid working pressure of the lowest rated component in your system.

Safety Relief Valve

A safety relief valve (12) will automatically relieve the tank pressure when the air pressure exceeds 95 to 100 psi (0.5 to 0.6 MPa, 6.5 to 7 bar). Refer to FIG. 2 or the parts drawings.

Each week, check the working order of the safety relief valve. Only as a test, raise the air pressure to 95 to 105 psi (0.5 to 0.6 MPa, 6.5 to 7.1 bar). If the safety relief valve does not relieve the pressure, replace it immediately. Do not attempt to repair it. The safety relief valve will reset automatically when the pressure is relieved.

Maintenance

						
<p>This is a pressurized tank. Always follow the Pressure Relief Procedure on page 5 before opening the tank cover or fill port. This reduces the risk of serious injury, including splashing in the eyes or on the skin, or injury from moving parts. These injuries can result if the tank pressure is not fully relieved.</p>						

Cleaning the Tank

1. First follow the Pressure Relief Procedure on page 5.
2. Follow the procedure below to force the fluid back through the hose and into the tank:
 - a. Loosen the spray gun air cap retaining ring about two turns.
 - b. Hold a rag over the air cap, and trigger the gun for a few seconds until the fluid is forced back into the tank.
3. Remove the tank cover.
4. Empty the fluid from the tank and pour a suitable amount of solvent into it.

NOTICE

Be sure that the solvent you use is compatible with the fluid being sprayed. Read Equipment Misuse Hazard on page 3.

5. Replace the tank cover and tighten the c-clamps to 8-10 ft-lbs, approximately 1/2 to 1 turn past hand tight.
6. Close the drain cock fitting (7).
7. Turn on the air supply.
8. Hold a metal part of the gun against a grounded metal container, and trigger the gun into the container until clean solvent comes from the gun.
9. Remove the solvent from the system and wipe the inside of the tank and the rest of the equipment clean with a solvent-dampened rag.

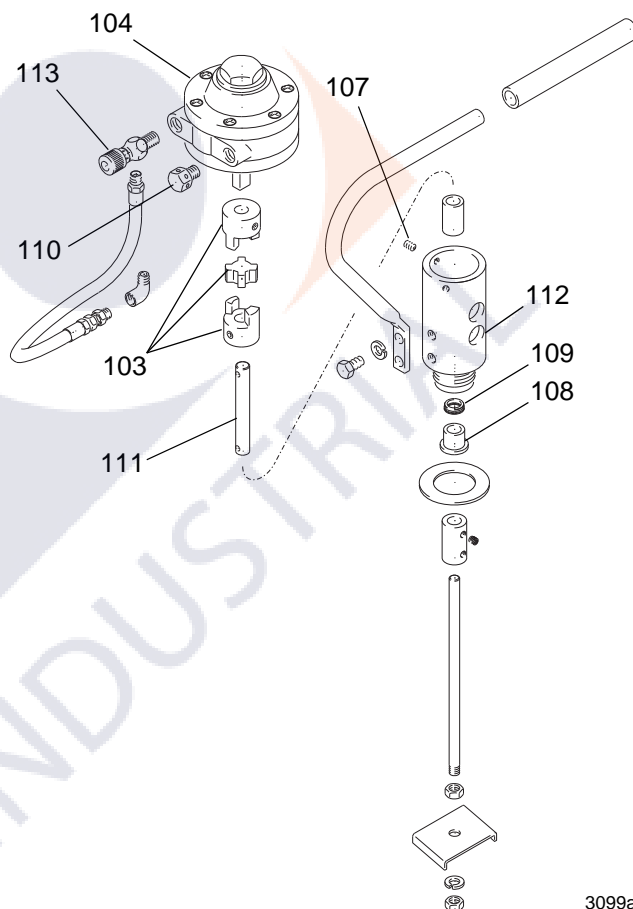
Maintaining Air Regulator

See separate instruction manual 307204 for care and maintenance of air regulator.

Maintaining the Agitator Air Motor



(See FIG. 5)

Lubricate agitator motor as follows whenever it will be shut down for more than 8 hours: Remove the air motor cap, and apply 15 to 20 drops of oil in the oiler. Replace the cap, and run agitator for about 1/2 minute.



3099a

FIG. 5

							
To reduce risk of serious bodily injury, including splashing kerosene in the eyes or on skin, keep face and body away from exhaust while flushing.							

If air motor doesn't run smoothly and easily, flush it out by removing the muffler (110) and filling the muffler cavity with kerosene. Screw muffler back in. Soak for about 10 minutes, then run agitator slowly until all kerosene is blown out. Repeat process if motor still doesn't run smoothly.

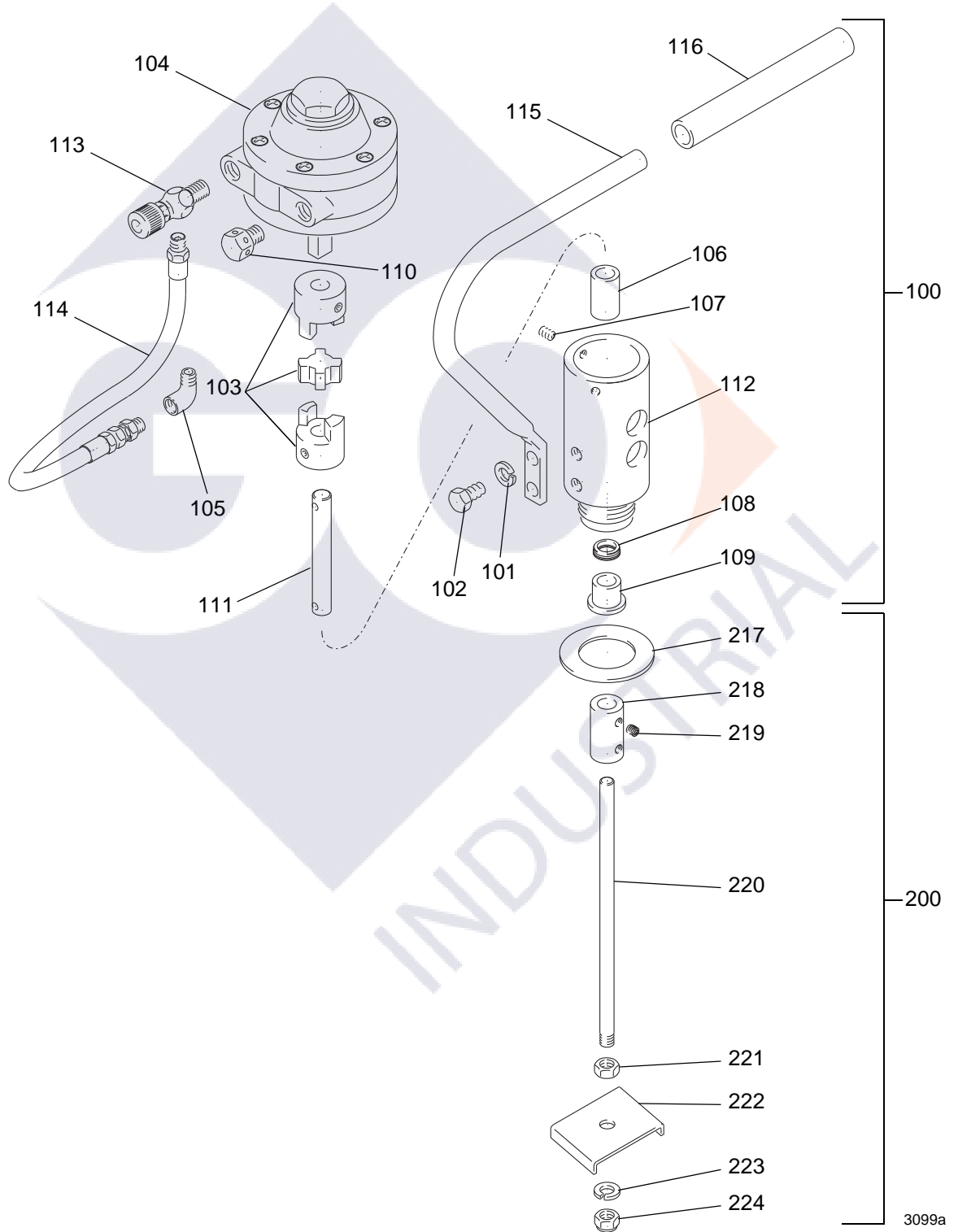
If air motor still doesn't operate properly, contact an authorized Graco service representative. Do not attempt to service it yourself.

If air leaks around the motor shaft (111) due to wear, the shaft may be inverted. Loosen the setscrews (107) around the top of the coupler housing (112) and remove the motor (104). Push the motor shaft up through the bottom of the housing. Loosen the bottom setscrew of the flexible coupling (103) and remove the motor shaft. Turn the motor shaft around, reposition the flexible coupling and tighten setscrew. Fit the seal (109) and bearing (108) into housing, then push the shaft and coupling through the housing. Reposition housing onto motor and tighten screws. See **Agitator** Parts Drawing on page 11.



Parts

Agitator Model 236859

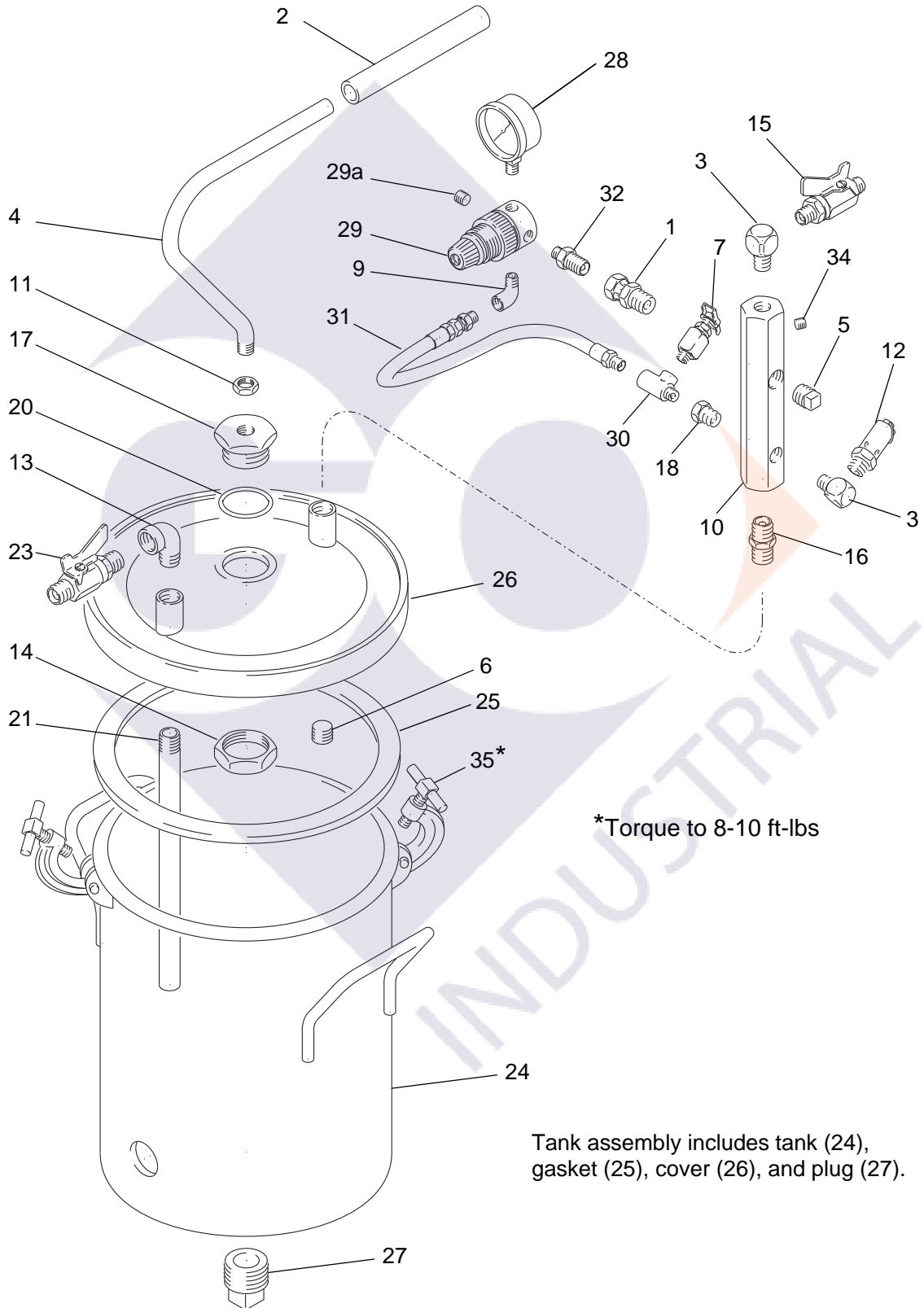


Agitator - Parts List

Ref. No.	Part No.	Description	Qty.	Ref. No.	Part No.	Description	Qty.
100	236097	MOTOR, assy, agitator; 2-gal.	1	113	206264	VALVE, needle	1
101	100133	WASHER, lock; 3/8	2	114	164724	HOSE, cpld; 1/8 npt(m) swivel one end; 1/4 ID; 10 in (242 mm) long	1
102	100575	SCREW, cap, hex, hd; 3/8-16 unc-2a	2				
103	100828	COUPLING, flexible	1	115	175074	HANDLE	1
104	101140	MOTOR, rotary, air	1	116	176184	GRIP, handle	1
105	112307	ELBOW, street, 90° 1/8-27 npt(f) x 1/4-18 npt(m)	1	200	236860	KIT, accessory, 2-gal.	1
106	104391	BEARING, sleeve, plain	1	217	196309	GASKET, LDPE foam	1
107	102387	SETSCREW, hex hd socket 10-32 unf-3a	3	218	185460	COUPLING, shaft;	1
108	105286	SEAL, shaft, spring-loaded	1	219	110272	SETSCREW, socket, hd cup pt; 1/4 npt x 3/8	1
109	105285	BEARING, flange	1	220	188892	SHAFT, 2-gal.; 3/8-16 unc-2a	1
110	156969	MUFFLER, 1/4 npt(m)	1	221	112309	NUT, hex, jam; sst	1
111	188883	SHAFT, motor; 2-gal.	1	222	110275	BLADE, mixer; polypropylene	1
112	188882	HOUSING, coupling; 2-gal.	1	223	110273	WASHER, lock	1
				224	110271	NUT, hex, cap; 3/8-16 npt	1

Low-Pressure Stainless Steel Tank

Model 236155



*Torque to 8-10 ft-lbs

Tank assembly includes tank (24), gasket (25), cover (26), and plug (27).

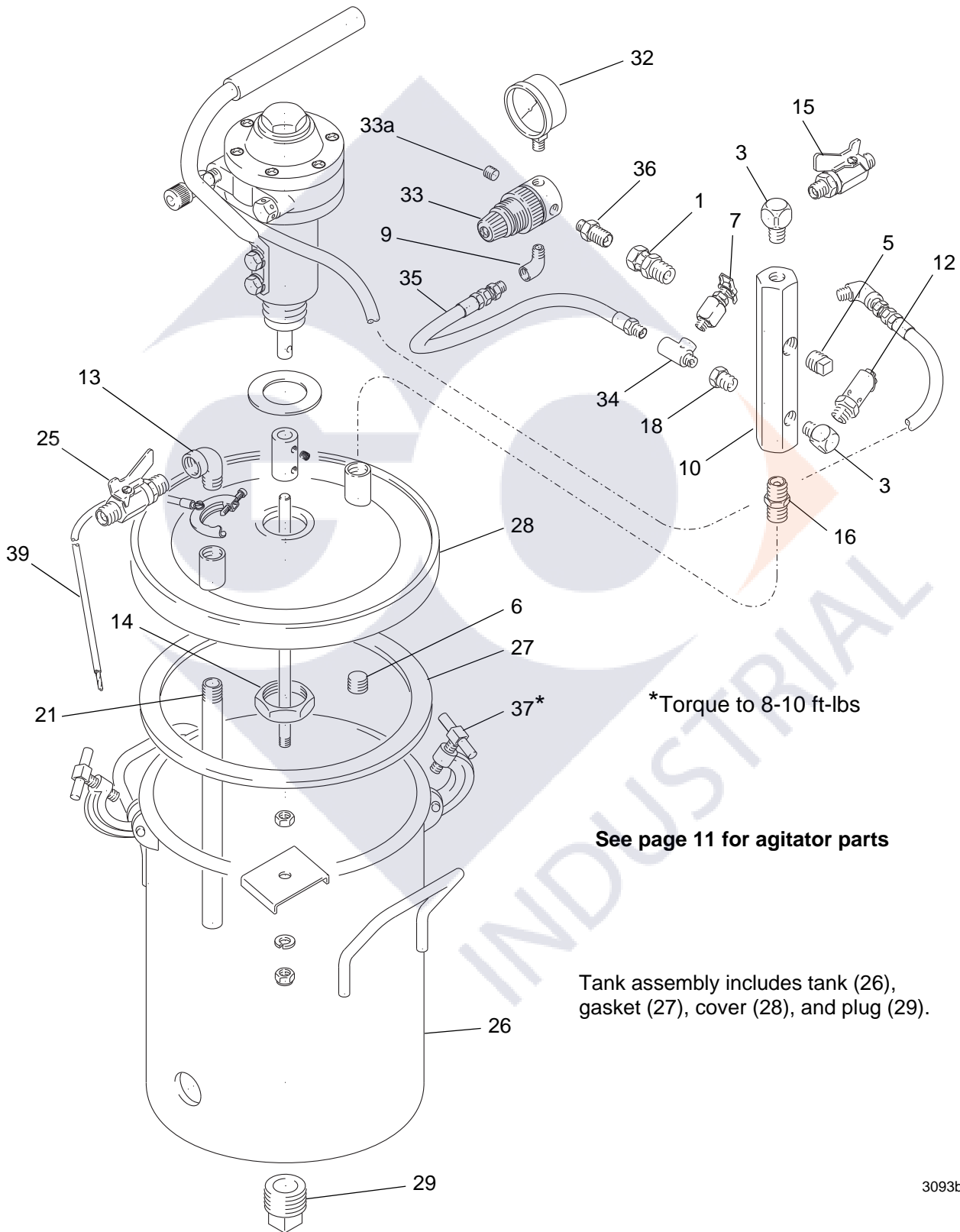
Low-Pressure Stainless Steel Tank - Parts List

Ref. No.	Part No.	Description	Qty.	Ref. No.	Part No.	Description	Qty.
1	110476	ADAPTER, union, straight swivel; 3/8 npt(m) to 1/4 npsm(f)	2	24	236086	TANK; 2-gal. size; sst,	1
2	176184	GRIP, handle	1	25✓	117572	GASKET; Santoprene®	1
3	100840	ELBOW, street; 1/4-18 npt(m x f)	2	26		COVER, tank; sst	1
4	175075	HANDLE	1	27		PLUG, bottom; 3/4-14 npt	1
5	104813	PLUG, pipe; 3/8-18 npt	1	28	110444	GAUGE, pressure, air 0 to 15 psi (0 to 0.1 MPa, 0 to 1 bar)	1
6	112306	PLUG, pipe; 3/8-18 npt; sst	1	29✓	111501	REGULATOR; 0 to 15 psi (0 to 0.1 MPa, 0 to 1 bar)	1
7	101759	FITTING, drain cock	1	29a		PLUG, 1/8-27 npt	1
9	112307	ELBOW, street, 90° 1/8-27 npt(f) x 1/8-27 npt(m)	1	30	110475	TEE, street; 1/8 npt	1
10	189016	MANIFOLD, air inlet; 3/8-18 npt; 1/4-18 npt	1	31	164724	HOSE, coupled; 400 wpr; 1/8-27 npt(m)	1
11	102300	NUT, jam, hex; 9/16-18	1	32	151519	NIPPLE, reducing; 1/4-1/8 npt	1
12	103347	VALVE, safety; 1/4-18 npt(m); 100 psi (0.7 MPa, 7 bar)	1	34	100139	PLUG, pipe, headless; 1/8-27 npt	2
13	110756	ELBOW, street, 90° 3/8 npt x 3/8 npt; sst	1	35✓†		T-HANDLE	4
14	188784	NUT, jam, hex; 1-1/2-12-unf-2b;	1	36‡		LINER, antistatic, polyethylene; (not shown)	1
15✓	208390	VALVE, ball; 1/4-18 npt(m); See 307068 for parts .	1	✓		Keep these spare parts on hand to reduce down time	
16	156849	NIPPLE, pipe; 3/8-18 npt	1	†		A C-clamp replacement Kit is available. It includes the T-handle, C-clamp, pin, and cotter pin. Order part no. 111380.	
17	188881	PLUG, tapped;	1	‡		To purchase a box of antistatic polyethylene liners, see Accessories on page 21.	
18	100030	BUSHING; 1/8-27 npt(f) x 1/4-18 npt(m)	1				
20	165053	O-RING, packing; PTFE	1				
21	185531	TUBE, siphon; sst	1				
22	175078	LABEL, Warning (not shown)	1				
23✓	236439	VALVE, ball; sst; 3/8-18 npsm(m) x 3/8-18 npt(m), See 307068 for parts .	1				

NOTE: The 307 numbers in the descriptions refer to separate instruction manuals.

Low Pressure Stainless Steel Tank with Agitator

Model 236156



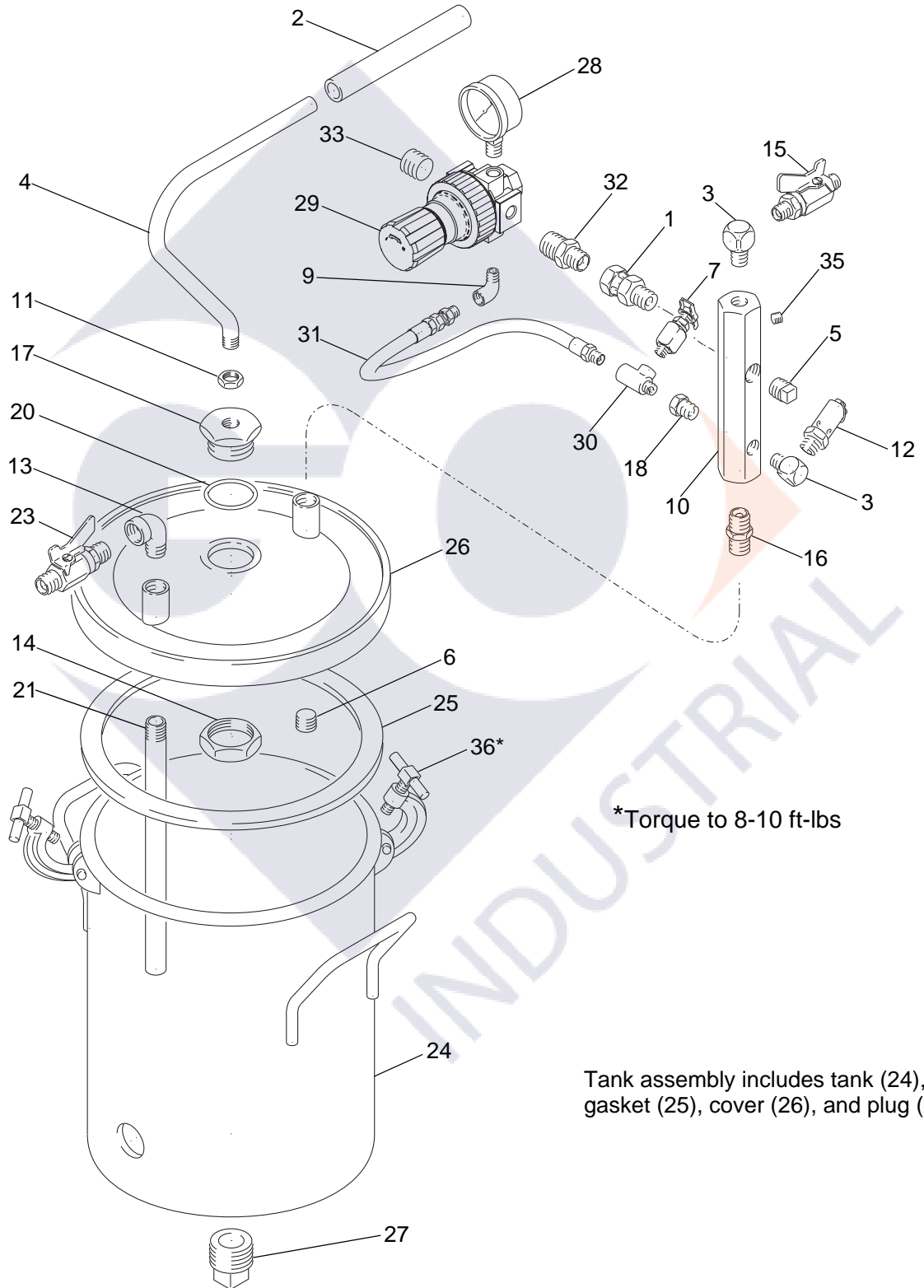
Low Pressure Stainless Steel Tank with Agitator - Parts List

Ref. No.	Part No.	Description	Qty.	Ref. No.	Part No.	Description	Qty.
1	110476	ADAPTER, union, straight swivel; 3/8 npt(m) to 1/4 npsm(f)	1	28		COVER, tank; sst	1
3	100840	ELBOW, street; 1/4-18 npt(m x f)	2	29		PLUG, bottom 3/4-14 npt	1
5	104813	PLUG, pipe; 3/8-18 npt	1	32	110444	GAUGE, pressure, air; 0 to 15 psi (0 to 0.1 MPa, 0 to 1 bar)	1
6	112306	PLUG, pipe; 3/8-18 npt; sst	1	33✓	111501	REGULATOR; 0 to 15 psi (0 to 0.1 MPa, 0 to 1 bar)	1
7	101759	FITTING, drain cock	1	33a		PLUG, 1/8-27 npt	1
9	112307	ELBOW, street, 90° 1/8-27 npt(f) x 1/8-27 npt(m)	1	34	110475	TEE, street; 1/8 npt	1
10	189016	MANIFOLD, air inlet; 3/8-18 npt; 1/4-18 npt	1	35	164724	HOSE, coupled; 400 wpr; 1/8-27 npt(m)	1
12	103347	VALVE, safety; 1/4-18 npt(m); 100 psi (0.7 MPa, 7 bar)	1	36	151519	NIPPLE, reducing; 1/4-1/8 npt	1
13	110756	ELBOW, street, 90° 3/8 npt x 3/8 npt; sst	1	37✓†		T-HANDLE	4
14	188784	NUT, jam, hex; 1-1/2-12-unf-2b;	1	38‡		LINER, antistatic, polyethylene; (not shown)	1
15✓	208390	VALVE, ball; 1/4-18 npt(m); See 307068 for parts .	1	39	222011	CLAMP, grounding	1
16	156849	NIPPLE, pipe; 3/8-18 npt	1	✓		Keep these spare parts on hand to reduce down time	
18	100030	BUSHING; 1/8-27 npt(f) x 1/4-18 npt(m)	1	†		A C-clamp replacement Kit is available. It includes the T-handle, C-clamp, pin, and cotter pin. Order part no. 111380.	
21	185531	TUBE, siphon; sst	1	‡		To purchase a box of antistatic polyethylene lin- ers, see Accessories on page 21.	
23	175078	LABEL, Warning (Not Shown)	1				
25✓	236439	VALVE, ball; sst; 3/8-18 npsm(m)x3/8-18 npt(m), See 307068 for parts	1				
26	236086	TANK; 2-gal. size; sst	1				
27✓	117572	GASKET, Santoprene®	1				

NOTE: The 307 numbers in the descriptions refer to separate instruction manuals.

High-Pressure Stainless Steel Tank

Model 236157



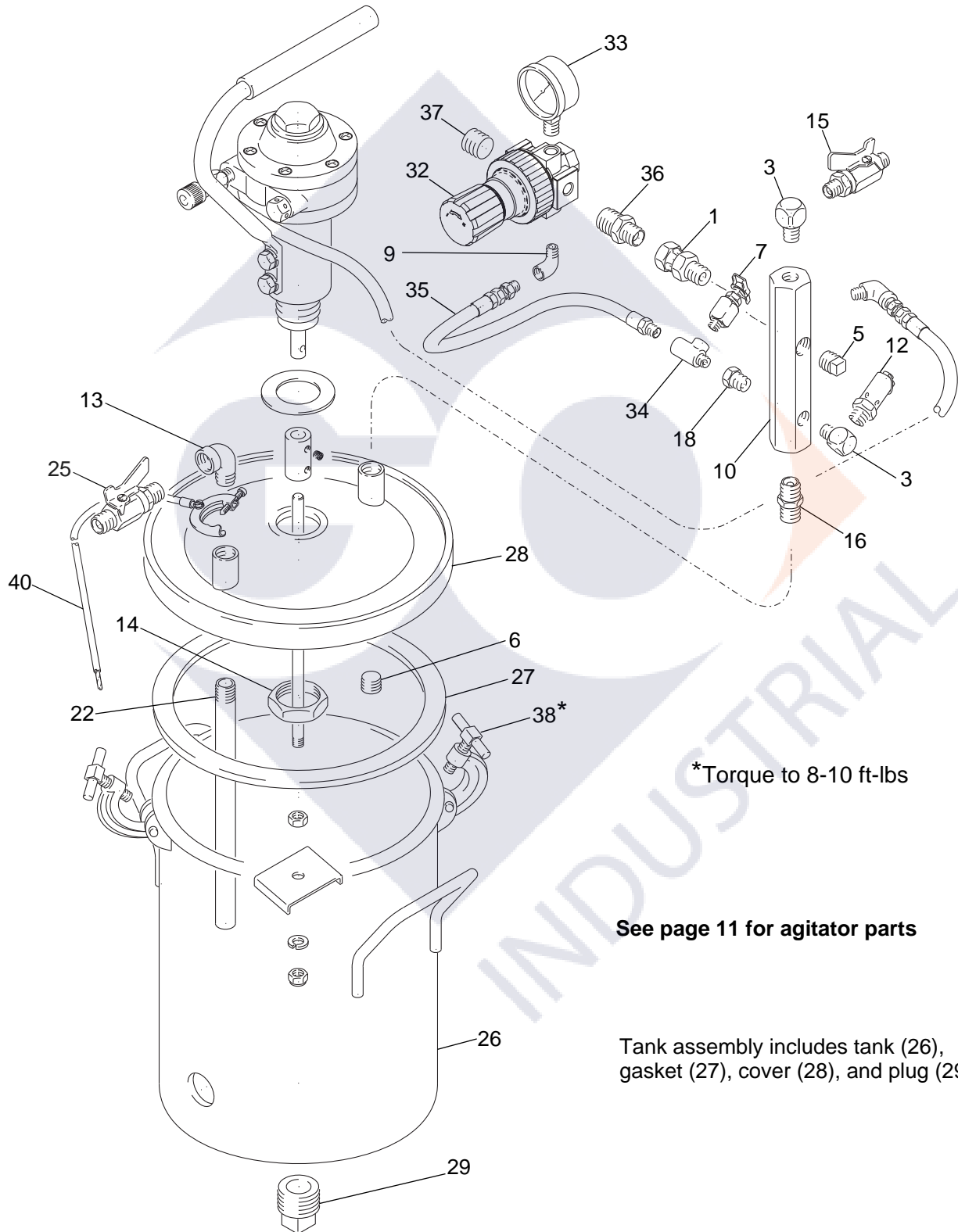
High-Pressure Stainless Steel Tank - Parts List

Ref. No.	Part No.	Description	Qty.	Ref. No.	Part No.	Description	Qty.
1	155665	UNION, adapter; 3/8 npt(m) to 3/8 npsm(f)	1	26		COVER, tank; sst	1
2	176184	GRIP, handle	1	27		PLUG, bottom 3/4-14 npt	1
3	100840	ELBOW, street; 1/4-18 npt(m x f)	2	28	160430	GAUGE, pressure, air; 0 to 100 psi (0 to 0.7 MPa, 0 to 7bar)	1
4	175075	HANDLE	1	29	104267	REGULATOR; 2 to 125 psi (0.01 to 0.8 MPa, 0.1 to 9 bar)	1
5	104813	PLUG, pipe; 3/8-18 npt	1	30	110475	TEE, street; 1/8 npt	1
6	112306	PLUG, pipe; 3/8-18 npt; sst	1	31	164724	HOSE, coupled; 400 wpr; 1/8-27 npt(m)	1
7	101759	FITTING, drain cock	1	32	159239	NIPPLE, pipe reducing; 1/2-3/8 npt	1
9	112538	ELBOW, street, 90° 1/8-27 npt(f) x 1/4-18 npt(m)	1	33	100361	PLUG, pipe, headless; 1/2-14 npt(f)	1
10	189016	MANIFOLD, air inlet; 3/8-18 npt; 1/4-18 npt	1	35	100139	PLUG, pipe, headless; 1/8-27 npt	1
11	102300	NUT, jam, hex; 9/16-18	1	36✓†		T-HANDLE	4
12	103347	VALVE, safety; 1/4-18 npt(m); 100 psi (0.7 MPa, 7 bar)	1	37‡		LINER, antistatic, polyethylene; (not shown)	1
13	110756	ELBOW, street, 90° 3/8 npt x 3/8 npt; sst	1				
14	188784	NUT, jam, hex; 1-1/2-12-unf-2b;	1	✓		Keep these spare parts on hand to reduce down time	
15✓	208390	VALVE, ball; 1/4-18 npt(m); See 307068 for parts .	1	†		A C-clamp replacement Kit is available. It includes the T-handle, C-clamp, pin, and cotter pin. Order part no. 111380.	
16	156849	NIPPLE, pipe; 3/8-18 npt	1	‡		To purchase a box of antistatic polyethylene lin- ers, see Accessories on page 21.	
17	188881	PLUG, tapped;	1				
18	100030	BUSHING; 1/8-27 npt(f) x 1/4-18 npt(m)	1				
20	165053	O-RING, packing; PTFE	1				
21	185531	TUBE, siphon; sst	1				
22	175078	LABEL, Warning (Not Shown)	1				
23✓	236439	VALVE, ball; sst; 3/8-18 npsm(m)x3/8-18 npt(m), See 307068 for parts	1				
24	236086	TANK; 2-gal. size; sst	1				
25✓	117572	GASKET, Santoprene®	1				

NOTE: The 307 numbers in the descriptions refer to separate instruction manuals.

High Pressure Stainless Steel Tank with Agitator

Model 236158



*Torque to 8-10 ft-lbs

See page 11 for agitator parts

Tank assembly includes tank (26), gasket (27), cover (28), and plug (29).

High Pressure Stainless Steel Tank with Agitator - Parts List

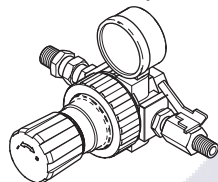
Ref. No.	Part No.	Description	Qty.	Ref. No.	Part No.	Description	Qty.
1	155665	UNION, adapter; 3/8 npt(m) to 3/8 npsm(f)	1	29		PLUG, bottom 3/4-14 npt	1
3	100840	ELBOW, street; 1/4-18 npt(m x f)	2	32	104267	REGULATOR; 2 to 125 psi (0.01 to 0.8 MPa, 0.1 to 9 bar)	1
5	104813	PLUG, pipe; 3/8-18 npt	1	33	160430	GAUGE, pressure, air; 0 to 100 psi (0 to 0.7 MPa, 0 to 7bar)	1
6	112306	PLUG, pipe; 3/8-18 npt; sst	1	34	110475	TEE, street; 2x1/8-27 npt (f)	1
7	101759	FITTING, drain cock	1	35	164724	HOSE, coupled; 400 wpr; 1/8-27 npt(m)	1
9	112538	ELBOW, street, 90° 1/8-27 npt(f) x 1/4-18 npt(m)	1	36	159239	NIPPLE, pipe reducing; 1/2-3/8 npt	1
10	189016	MANIFOLD, air inlet; 3/8-18 npt; 1/4-18 npt	1	37	100361	PLUG, pipe, headless; 1/2-14 npt(f)	1
12	103347	VALVE, safety; 1/4-18 npt(m); 100 psi (0.7 MPa, 7 bar)	1	38	✓ †	T-HANDLE	4
13	110756	ELBOW, street, 90° 3/8 npt x 3/8 npt; sst	1	39	‡	LINER, antistatic, polyethylene; (not shown)	1
14	188784	NUT, jam, hex; 1-1/2-12-unf-2b;	1	40	222011	CLAMP, grounding	1
15	✓ 208390	VALVE, ball; 1/4-18 npt(m); See 307068 for parts .	1				
16	156849	NIPPLE, pipe; 3/8-18 npt	1				
18	100030	BUSHING; 1/8-27 npt(f) x 1/4-18 npt(m)	1				
20	175078	LABEL, Warning (Not Shown)	1				
22	185531	TUBE, siphon; sst	1				
25	✓ 236439	VALVE, ball; sst; 3/8-18 npsm(m)x3/8-18 npt(m), See 307068 for parts	1				
26	236086	TANK; 2-gal. size; sst	1				
27	✓ 117572	GASKET, Santoprene®	1				
28		COVER, tank; sst	1				
						Keep these spare parts on hand to reduce down time	
						† A C-clamp replacement Kit is available. It includes the T-handle, C-clamp, pin, and cotter pin. Order part no. 111380.	
						‡ To purchase a box of antistatic polyethylene liners, see Accessories on page 21.	
						NOTE: The 307 numbers in the descriptions refer to separate instruction manuals.	

Accessories

Gun Regulator Kit 235042

100 psi (0.7 MPa, 7 bar) Working Pressure

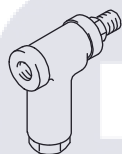
Kit to add a second air regulator, used to supply atomizing air to a spray gun from the pressure pot.



Strainer 202271

300 psi (2.1 MPa, 21 bar) Maximum Working Pressure

Install at the tank air inlet to remove dirt and moisture from the air supply, or at the tank fluid outlet to remove particles from the paint which could clog the spray gun nozzle.



Buna-N Air Supply Hose

200 psi (1.4 MPa, 14 bar) Maximum Working Pressure

5/16" ID; cpld 1/4 npsm(f) swivel

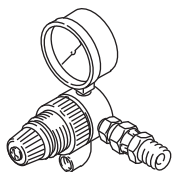
210866 15 ft (4.6 m) long

210867 25 ft (7.6 m) long

Low-Pressure Regulator Conversion Kit 235041

15 psi (0.1 MPa, 1 bar) Working Pressure. 0 to 15 psi (0 to 0.1 MPa, 0 to 1 bar) regulated pressure range

To convert to a low-pressure regulator assembly.



High-Pressure Regulator Conversion Kit 236680

100 psi (0.7 MPa, 7 bar) Working Pressure. 0 to 100 psi (0 to 0.7 MPa, 0 to 7 bar) regulated pressure range

Stainless Steel Mixer Blade 186522

304 stainless steel

Nylon Fluid Supply Hose

300 psi (2.1 MPa, 21 bar) Maximum Working Pressure

3/8" ID; cpld 3/8 npsm(fbe) swivel; neoprene cover

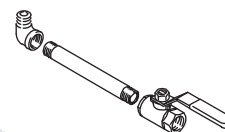
205160 15 ft (4.6 m) long

205142 25 ft (7.6 m) long

205143 50 ft (15.2 m) long

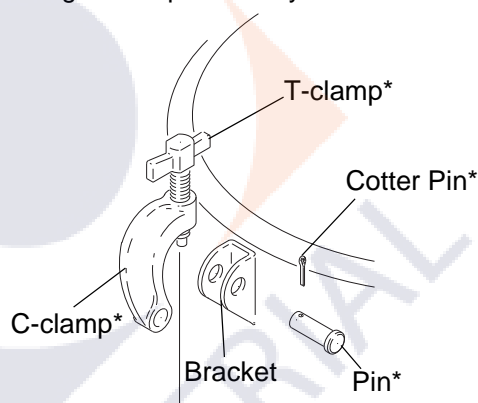
Bottom Outlet Kit 236676

For bottom outlet fluid feeding.



C-clamp Replacement Kit 111381

For replacing C-clamp assembly. *Parts included with kit



Antistatic Polyethylene Tank Liners 15D058

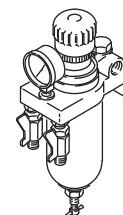
Liners fit inside the tank. For ease of cleanup and maintenance. Quantity of 20 per box.

Air Regulator and Filter 202660

100 psi (0.7 MPa, 7 bar) Maximum Working Pressure

For air regulation and filtration.

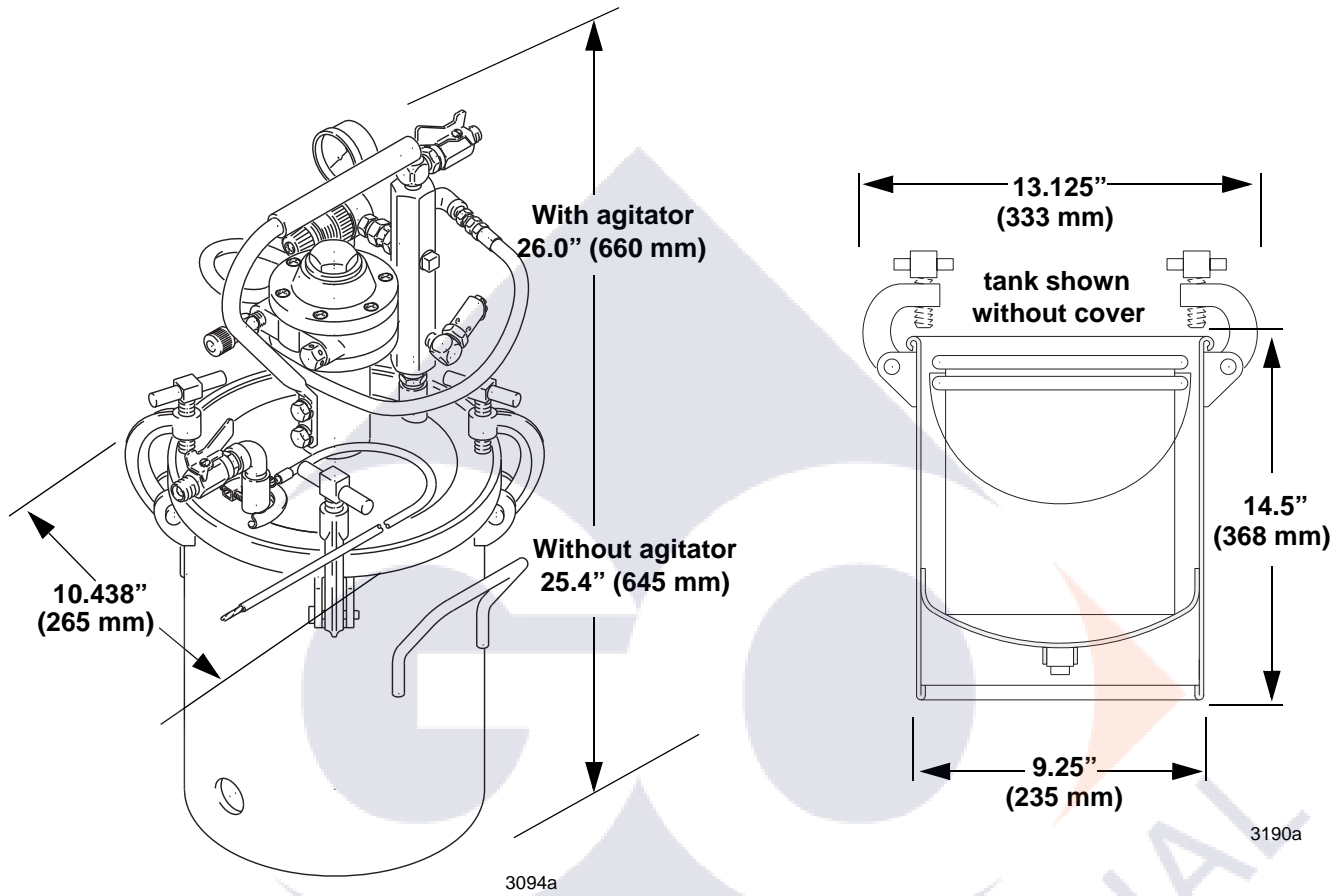
1/2 npr(f) inlet & 1/4 npt(m) outlets



PTFE Coated Gasket 117575

Optional replacement for standard 117572 gasket.

Dimensions



Technical Specifications

	US	Metric
Relief valve setting	100 psi	0.7 MPa, 7 bar
Agitator Motor	1/2 HP, 3000 RPM	
Wetted parts	304 & 316 stainless steel, Polypropylene, Santoprene®	
Maximum working pressure		
Low pressure regulated tank	15 psi	0.1 MPa, 1 bar
High pressure regulated tank	100 psi	0.7 MPa, 7 bar
Inlet/Outlet Sizes		
Air inlet size	1/4-18 npt (m)	
Fluid outlet size	3/8-18npsm (R3/8-19) compound thread	
Bottom outlet size	3/4-14 npt (f)	
Weight		
Without agitator	30.25 lb	13.7 kg
With agitator	38.25 lb	17.4 kg
Noise (dBa)		
Sound power level	92 dBa @ 100 psi (0.7 MPa, 7 bar)	
Sound pressure level	82 dBa @ 100 psi (0.7 MPa, 7 bar)	
Notes		
<i>Sound power level and sound pressure level measured per ISO 9614-2.</i>		
<i>Santoprene® is a registered trademark of the Monsanto Co.</i>		

California Proposition 65

CALIFORNIA RESIDENTS

 **WARNING:** Cancer and reproductive harm – www.P65warnings.ca.gov.

Graco Standard Warranty

Graco warrants all equipment referenced in this document which is manufactured by Graco and bearing its name to be free from defects in material and workmanship on the date of sale to the original purchaser for use. With the exception of any special, extended, or limited warranty published by Graco, Graco will, for a period of twelve months from the date of sale, repair or replace any part of the equipment determined by Graco to be defective. This warranty applies only when the equipment is installed, operated and maintained in accordance with Graco's written recommendations.

This warranty does not cover, and Graco shall not be liable for general wear and tear, or any malfunction, damage or wear caused by faulty installation, misapplication, abrasion, corrosion, inadequate or improper maintenance, negligence, accident, tampering, or substitution of non-Graco component parts. Nor shall Graco be liable for malfunction, damage or wear caused by the incompatibility of Graco equipment with structures, accessories, equipment or materials not supplied by Graco, or the improper design, manufacture, installation, operation or maintenance of structures, accessories, equipment or materials not supplied by Graco.

This warranty is conditioned upon the prepaid return of the equipment claimed to be defective to an authorized Graco distributor for verification of the claimed defect. If the claimed defect is verified, Graco will repair or replace free of charge any defective parts. The equipment will be returned to the original purchaser transportation prepaid. If inspection of the equipment does not disclose any defect in material or workmanship, repairs will be made at a reasonable charge, which charges may include the costs of parts, labor, and transportation.

THIS WARRANTY IS EXCLUSIVE, AND IS IN LIEU OF ANY OTHER WARRANTIES, EXPRESS OR IMPLIED, INCLUDING BUT NOT LIMITED TO WARRANTY OF MERCHANTABILITY OR WARRANTY OF FITNESS FOR A PARTICULAR PURPOSE.

Graco's sole obligation and buyer's sole remedy for any breach of warranty shall be as set forth above. The buyer agrees that no other remedy (including, but not limited to, incidental or consequential damages for lost profits, lost sales, injury to person or property, or any other incidental or consequential loss) shall be available. Any action for breach of warranty must be brought within two (2) years of the date of sale.

GRACO MAKES NO WARRANTY, AND DISCLAIMS ALL IMPLIED WARRANTIES OF MERCHANTABILITY AND FITNESS FOR A PARTICULAR PURPOSE, IN CONNECTION WITH ACCESSORIES, EQUIPMENT, MATERIALS OR COMPONENTS SOLD BUT NOT MANUFACTURED BY GRACO. These items sold, but not manufactured by Graco (such as electric motors, switches, hose, etc.), are subject to the warranty, if any, of their manufacturer. Graco will provide purchaser with reasonable assistance in making any claim for breach of these warranties.

In no event will Graco be liable for indirect, incidental, special or consequential damages resulting from Graco supplying equipment hereunder, or the furnishing, performance, or use of any products or other goods sold hereto, whether due to a breach of contract, breach of warranty, the negligence of Graco, or otherwise.

FOR GRACO CANADA CUSTOMERS

The Parties acknowledge that they have required that the present document, as well as all documents, notices and legal proceedings entered into, given or instituted pursuant hereto or relating directly or indirectly hereto, be drawn up in English. Les parties reconnaissent avoir convenu que la rédaction du présente document sera en Anglais, ainsi que tous documents, avis et procédures judiciaires exécutés, donnés ou intentés, à la suite de ou en rapport, directement ou indirectement, avec les procédures concernées.

Graco Information

For the latest information about Graco products, visit www.graco.com.

For patent information, see www.graco.com/patents.

TO PLACE AN ORDER, contact your Graco distributor or call to identify the nearest distributor.

Phone: 612-623-6921 **or Toll Free:** 1-800-328-0211 **Fax:** 612-378-3505

All written and visual data contained in this document reflects the latest product information available at the time of publication. Graco reserves the right to make changes at any time without notice.

Original instructions. This manual contains English. MM308370

Graco Headquarters: Minneapolis

International Offices: Belgium, China, Japan, Korea

GRACO INC. AND SUBSIDIARIES • P.O. BOX 1441 • MINNEAPOLIS MN 55440-1441 • USA

Copyright 1994, Graco Inc. All Graco manufacturing locations are registered to ISO 9001.

www.graco.com

Revision W, December 2020