

GrindLazer™

3A5575D
EN

For removal of materials from flat concrete and asphalt surfaces. For professional use only.

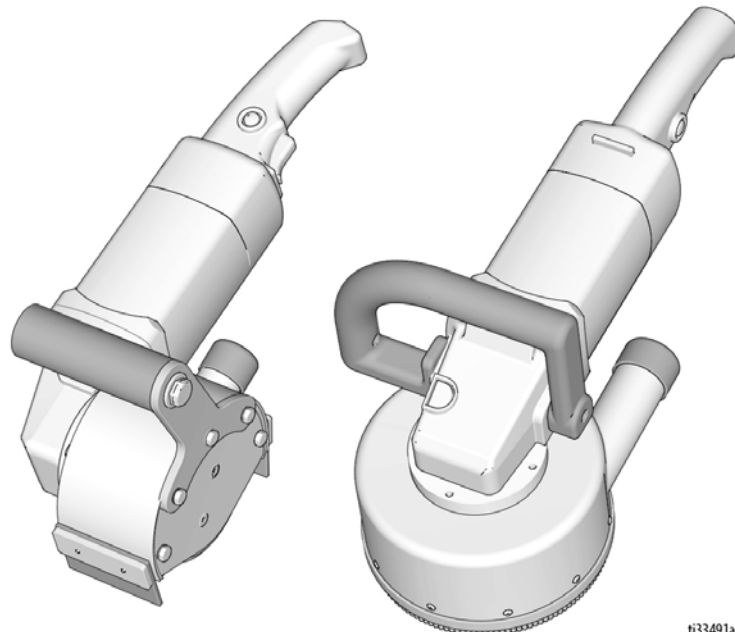
Not approved for use in explosive atmospheres or hazardous locations.

| GrindLazer Standard DC21 E | | |
|----------------------------|-----------------------------|----|
| 25M841 | 1 HP, 120VAC | |
| 25N391 | 1 HP, 230VAC, European Plug | CE |
| 25N609 | 1 HP, 230VAC, ANZ Plug | |
| GrindLazer Standard RC71 E | | |
| 25M848 | 1 HP, 120VAC | |
| 25N392 | 1 HP, 230VAC, European Plug | CE |
| 25N610 | 1 HP, 230VAC, ANZ Plug | |



Important Safety Instructions

Read all warnings and instructions in this manual and the grinder manual. Be familiar with the controls and the proper usage of the equipment. Save all instructions.



GrindLazer Standard DC21 E

GrindLazer Standard RC71 E

Questions?
844-241-9499
www.graco.com/techsupport

Contents

| | | | |
|--|----------|---|-----------|
| General Power Tool Safety Information | 3 | Parts - GrindLazer Standard DC21 E | 9 |
| Warnings | 4 | Parts List | 9 |
| Component Identification | 6 | Parts - GrindLazer Standard RC71 E | 10 |
| GrindLazer Standard DC21 E | 6 | Parts List | 10 |
| GrindLazer Standard RC71 E | 7 | Technical Data | 11 |
| Operation | 8 | Graco Standard Warranty | 13 |
| Machine Start-Up | 8 | | |
| Cutting Material | 8 | | |
| Maintenance | 8 | | |



General Power Tool Safety Information



WARNING

Read all safety warnings and all instructions.

Failure to follow the warnings and instructions may result in electric shock, fire and/or serious injury.

Save all warnings and instructions for future reference.

The term "power tool" in the warnings refers to your mains-operated (corded) power tool.

Work Area Safety

- **Keep work area clean and well lit.** Cluttered or dark areas invite accidents.
- **Do not operate power tools in explosive atmospheres, such as in the presence of flammable liquids, gases or dust.** Power tools create sparks which may ignite the dust or fumes.
- **Keep children and bystanders away while operating a power tool.** Distractions can cause you to lose control.

Electrical Safety

- **Power tool plugs must match the outlet. Never modify the plug in any way. Do not use any adapter plugs with earthed (grounded) power tools.** Unmodified plugs and matching outlets will reduce risk of electric shock.
- **Avoid body contact with earthed or grounded surfaces, such as pipes, radiators, ranges and refrigerators.** There is an increased risk of electric shock if your body is earthed or grounded.
- **Do not expose power tools to rain or wet conditions.** Water entering a power tool will increase the risk of electric shock.
- **Do not abuse the cord. Never use the cord for carrying, pulling or unplugging the power tool. Keep cord away from heat, oil, sharp edges or moving parts.** Damaged or entangled cords increase the risk of electric shock.
- **When operating a power tool outdoors, use an extension cord suitable for outdoor use.** Use of a cord suitable for outdoor use reduces the risk of electric shock.
- **If operating a power tool in a damp location is unavoidable, use a residual current device (RCD) protected supply.** Use of an RCD reduces the risk of electric shock.
- **Turn off and disconnect power cord before servicing equipment.**

Personal Safety

- **Stay alert, watch what you are doing and use common sense when operating a power tool. Do not use a power tool while you are tired or under the influence of drugs, alcohol or medication.** A moment of inattention while operating power tools may result in serious personal injury.
- **Use personal protective equipment. Always wear eye protection.** Protective equipment such as dust mask, non-skid safety shoes, hard hat, or hearing protection used for appropriate conditions will reduce personal injuries.
- **Prevent unintentional starting. Ensure the switch is in the off-position before connecting to power source and/or battery pack, picking up or carrying the tool.** Carrying power tools with your finger on the switch or energizing power tools that have the switch on invites accidents.
- **Remove any adjusting key or wrench before turning the power tool on.** A wrench or a key left attached to a rotating part of the power tool may result in personal injury.
- **Do not overreach. Keep proper footing and balance at all times.** This enables better control of the power tool in unexpected situations.
- **Dress properly. Do not wear loose clothing or jewelry. Keep your hair, clothing and gloves away from moving parts.** Loose clothes, jewelry or long hair can be caught in moving parts.
- **If devices are provided for the connection of dust extraction and collection facilities, ensure these are connected and properly used.** Use of dust collection can reduce dust-related hazards.

Power Tool Use and Care










- **Do not force the power tool. Use the correct power tool for your application.** The correct power tool will do the job better and safer at the rate for which it was designed.
- **Do not use the power tool if the switch does not turn it on and off.** Any power tool that cannot be controlled with the switch is dangerous and must be repaired.
- **Disconnect the plug from the power source before making any adjustments, changing accessories, or storing power tools.** Such preventive safety measures reduce the risk of starting the power tool accidentally.
- **Store idle power tools out of the reach of children and do not allow persons unfamiliar with the power tool or these instructions to operate the power tool.** Power tools are dangerous in the hands of untrained users.
- **Maintain power tools. Check for misalignment or binding of moving parts, breakage of parts and any other condition that may affect the power tool's operation. If damaged, have the power tool repaired before use.** Many accidents are caused by poorly maintained power tools.
- **Keep cutting tools sharp and clean.** Properly maintained cutting tools with sharp cutting edges are less likely to bind and are easier to control.
- **Use the power tool, accessories etc. in accordance with these instructions, taking into account the working conditions and the work to be performed.** Use of the power tool for operations different from those intended could result in a hazardous situation.

Service

- **Have your power tool serviced by a qualified repair person using only identical replacement parts.** This will ensure that the safety of the power tool is maintained.

Warnings

The following warnings are for the setup, use, grounding, maintenance, and repair of this equipment. The exclamation point symbol alerts you to a general warning and the hazard symbols refer to procedure-specific risks. When these symbols appear in the body of this manual or on warning labels, refer back to these Warnings. Product-specific hazard symbols and warnings not covered in this section may appear throughout the body of this manual where applicable.

|  <h2 style="margin: 0;">WARNING</h2> | |
|--|---|
|   | <p>DUST AND DEBRIS HAZARD</p> <p>Grinding concrete and other surfaces with this equipment can create dust that contains hazardous substances. Grinding can also create flying debris.</p> <p>To reduce the risk of serious injury:</p> <ul style="list-style-type: none"> • Control the dust to meet all applicable workplace regulations. • Wear protective eye wear and a properly fit-tested and government approved respirator suitable for the dust conditions. • Use equipment only in a well-ventilated area. • Grinding equipment must be used only by trained personnel who understand the applicable workplace regulations. |
|   | <p>ROTATING PARTS HAZARD</p> <p>Rotating parts can cut or amputate fingers and other body parts.</p> <ul style="list-style-type: none"> • Keep clear of rotating parts. • Do not operate equipment with protective guards or covers removed. • Before checking, moving, or servicing equipment, disable power supply. |
|  | <p>BURN HAZARD</p> <p>Equipment surfaces that are heated can become very hot during operation. To avoid severe burns, do not touch hot equipment. Wait until equipment has cooled completely.</p> |
|  | <p>EQUIPMENT MISUSE HAZARD</p> <p>Misuse can cause death or serious injury.</p> <ul style="list-style-type: none"> • Do not operate the unit when fatigued or under the influence of drugs or alcohol. • Do not leave the work area while equipment is energized. Turn off all equipment when equipment is not in use. • Check equipment daily. Repair or replace worn or damaged parts immediately with genuine manufacturer's replacement parts only. • Do not alter or modify equipment. • Use equipment only for its intended purpose. Call your distributor for information. • Keep children and animals away from work area. • Comply with all applicable safety regulations. • Maintain a safe operating distance from other people in the work area. • Avoid any pipes, columns, openings, or any other objects protruding from work surface. |
|   | <p>PERSONAL PROTECTIVE EQUIPMENT</p> <p>You must wear appropriate protective equipment when operating, servicing, or when in the operating area of the equipment to help protect you from serious injury, including eye injury, inhalation of dust or chemicals, burns, and hearing loss. This equipment includes but is not limited to:</p> <ul style="list-style-type: none"> • Protective eye wear. • Protective shoes. • Gloves. • Hearing protection. • Properly fit-tested and government approved respirator suitable for the dust conditions. |

The following warnings apply only to 120V models

WARNING



ELECTRIC SHOCK HAZARD

This equipment must be grounded. Improper grounding, setup, or usage of the system can cause electric shock.

- Turn off and disconnect power cord before servicing equipment.
- Connect only to grounded electrical outlets.
- Use only 3-wire extension cords.
- Ensure ground prongs are intact on power and extension cords.
- Do not expose to rain. Store indoors.

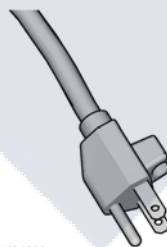


GROUNDING

This product must be grounded. In the event of an electrical short circuit, grounding reduces the risk of electric shock by providing an escape wire for the electric current. This product is equipped with a cord having a grounding wire with an appropriate grounding plug. The plug must be plugged into an outlet that is properly installed and grounded in accordance with all local codes and ordinances.

- Improper installation of the grounding plug is able to result in a risk of electric shock.
- When repair or replacement of the cord or plug is required, do not connect the grounding wire to either flat blade terminal.
- The wire with insulation having an outer surface that is green with or without yellow stripes is the grounding wire.
- Check with a qualified electrician or serviceman when the grounding instructions are not completely understood, or when in doubt as to whether the product is properly grounded.
- Do not modify the plug provided; if it does not fit the outlet, have the proper outlet installed by a qualified electrician.
- This product is for use on a nominal 120V circuit and has a grounding plug similar to the plugs illustrated in the figure below.

120V US



t124583c

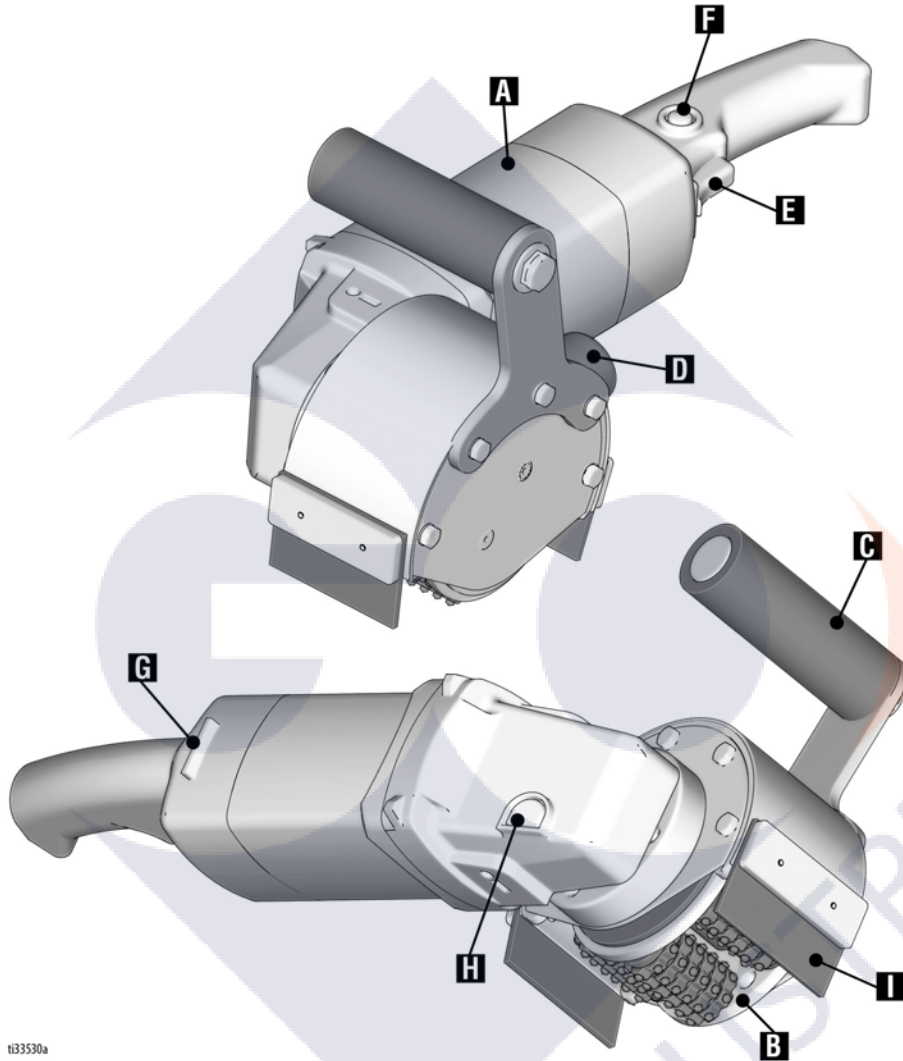
- Only connect the product to an outlet having the same configuration as the plug.
- Do not use an adapter with this product.

Extension Cords:

- Use only a 3-wire extension cord that has a grounding plug and a grounding receptacle that accepts the plug on the product.
- Make sure your extension cord is not damaged. If an extension cord is necessary, use 12 AWG (2.5 mm²) minimum to carry the current that the product draws.
- An undersized cord results in a drop in line voltage and loss of power and overheating.

Component Identification

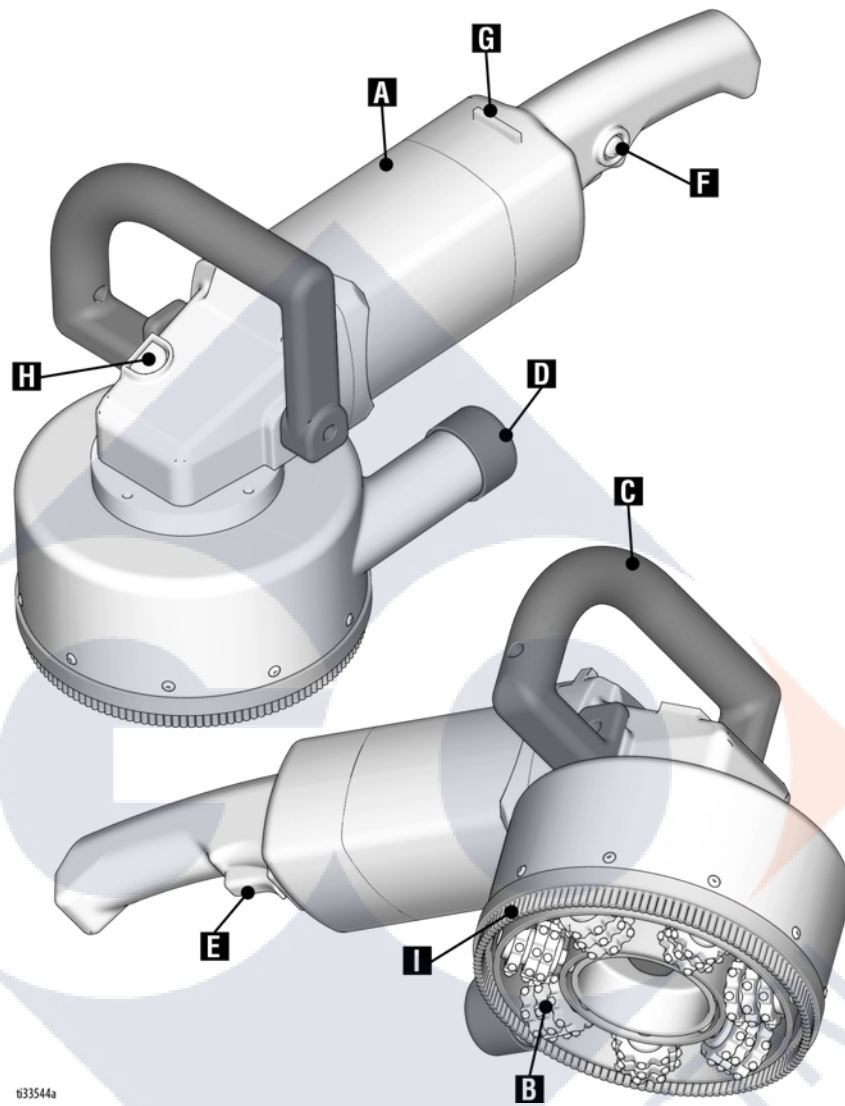
GrindLazer Standard DC21 E



t33530a

| | Component |
|---|---|
| A | Grinder |
| B | Cutter Drum |
| C | Handle |
| D | Vacuum Port |
| E | Trigger |
| F | Trigger Lock |
| G | Speed Control Dial (1-slowest, 6-fastest) |
| H | Drive Shaft Lock |
| I | Dust Skirt |

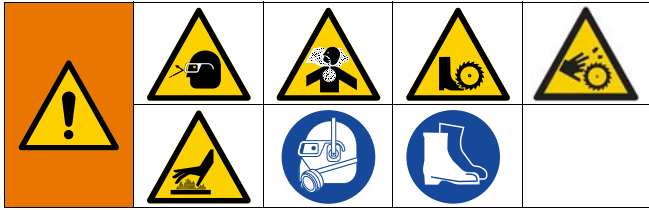
GrindLazer Standard RC71 E



033544a

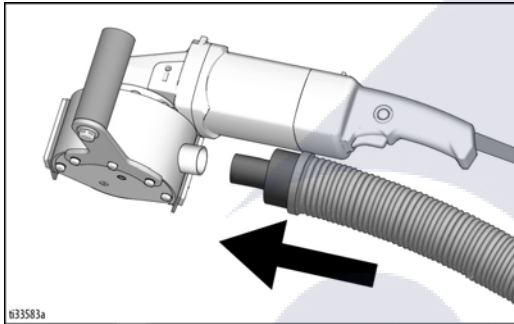
| | Component |
|---|---|
| A | Grinder |
| B | Cutter Drum |
| C | Handle |
| D | Vacuum Port |
| E | Trigger |
| F | Trigger Lock |
| G | Speed Control Dial (1-slowest, 6-fastest) |
| H | Drive Shaft Lock |
| I | Dust Skirt |

Operation

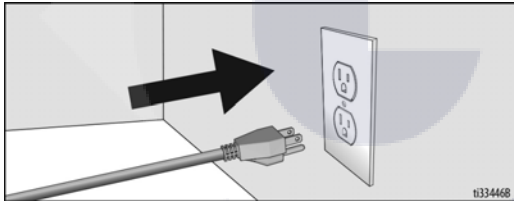


Machine Start-Up

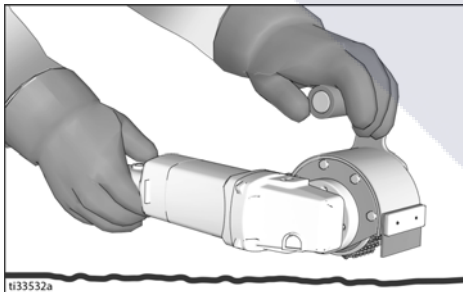
1. If using a vacuum, attach vacuum hose to the vacuum port. Turn the vacuum on.



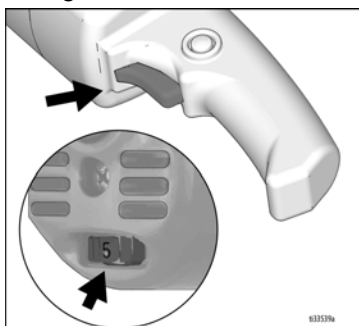
2. Plug power cord into a grounded outlet.



3. Hold the unit with the cutters 2-4 inches (5-10 cm) off the surface to be scarified.

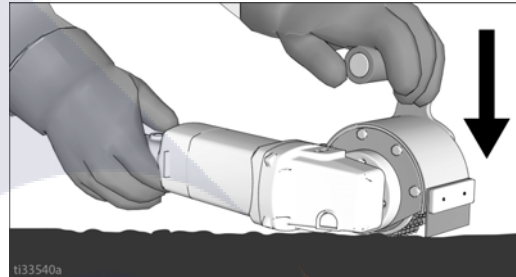


4. Depress the trigger and adjust the speed dial to the desired setting.

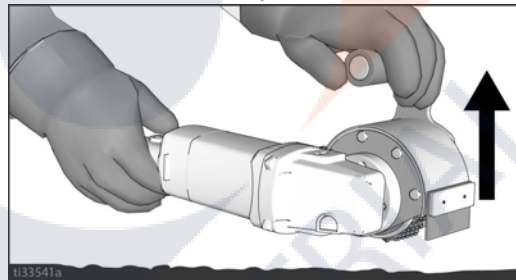


Cutting Material

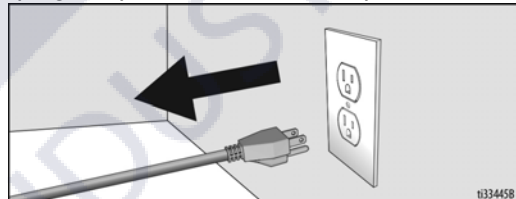
1. While holding the machine firmly, press the cutters into the surface to be cut.



2. When ready to stop cutting material, lift the cutters off of the surface, release the trigger, and allow the cutters to come to a stop.



3. Unplug the power cord from the power source.

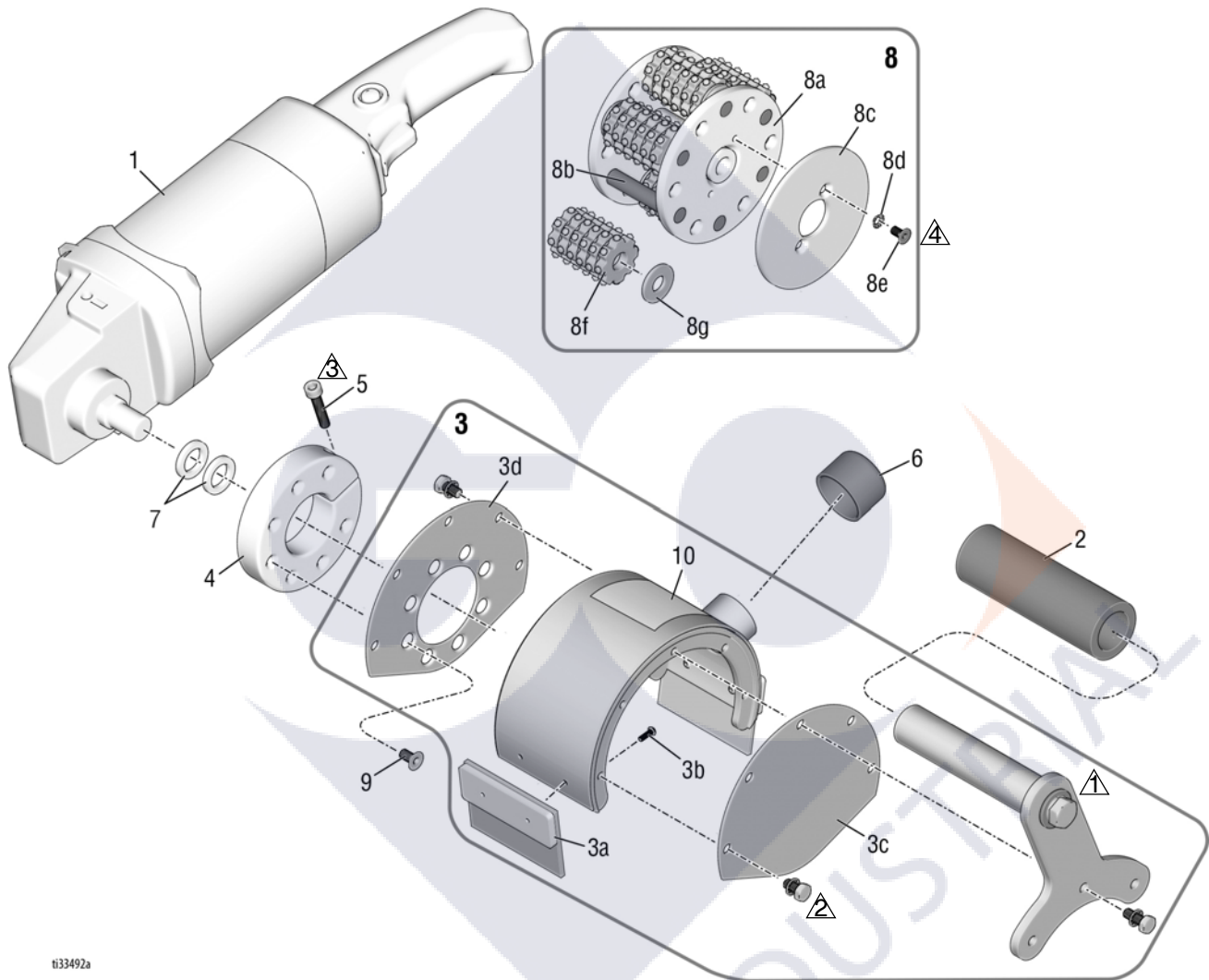


Maintenance

1. Inspect the dust skirt on the scarifier daily. Repair or replace the skirt if it is torn or damaged to ensure maximum dust and debris containment.
2. Inspect cutters daily and replace cutters that appear worn in order to achieve optimal cutting speed and surface finish.

Parts - GrindLazer Standard DC21 E

| Ref. | Torque |
|------|-------------------------------|
| | 240-250 in-lb (27.1-28.2 N•m) |
| | 70-80 in-lb (7.9-9.0 N•m) |
| | 120-130 in-lb (13.6-14.7 N•m) |
| | 10-12 in-lb (1.1-1.4 N•m) |



t133492a

Parts List

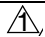

| Item: | P/N | Qty | Description |
|-------|--------|-----|----------------------------------|
| 1 | 17W312 | 1 | Grinder, 120V |
| | 17Y399 | 1 | Grinder, 230V |
| 2 | 17W269 | 1 | Foam Grip |
| 3 | 17W313 | 1 | Housing Assembly (inc. 3a-3d) |
| 3a | 17W870 | 2 | Rubber Skirt |
| 3b | 17W871 | 4 | Screw |
| 3c | 17W872 | 1 | Side Plate, Outside |
| 3d | 17W873 | 1 | Side Plate, Inside |
| 4 | 17W874 | 1 | Locking Collar |
| 5 | 17W876 | 1 | Socket Cap Screw |
| 6 | 17W314 | 1 | Vacuum Port Cap |
| 7 | 17W877 | 2 | Drum Offset Spacer |
| 8* | 25M889 | 1 | Flail Drum Assembly (inc. 8a-8g) |

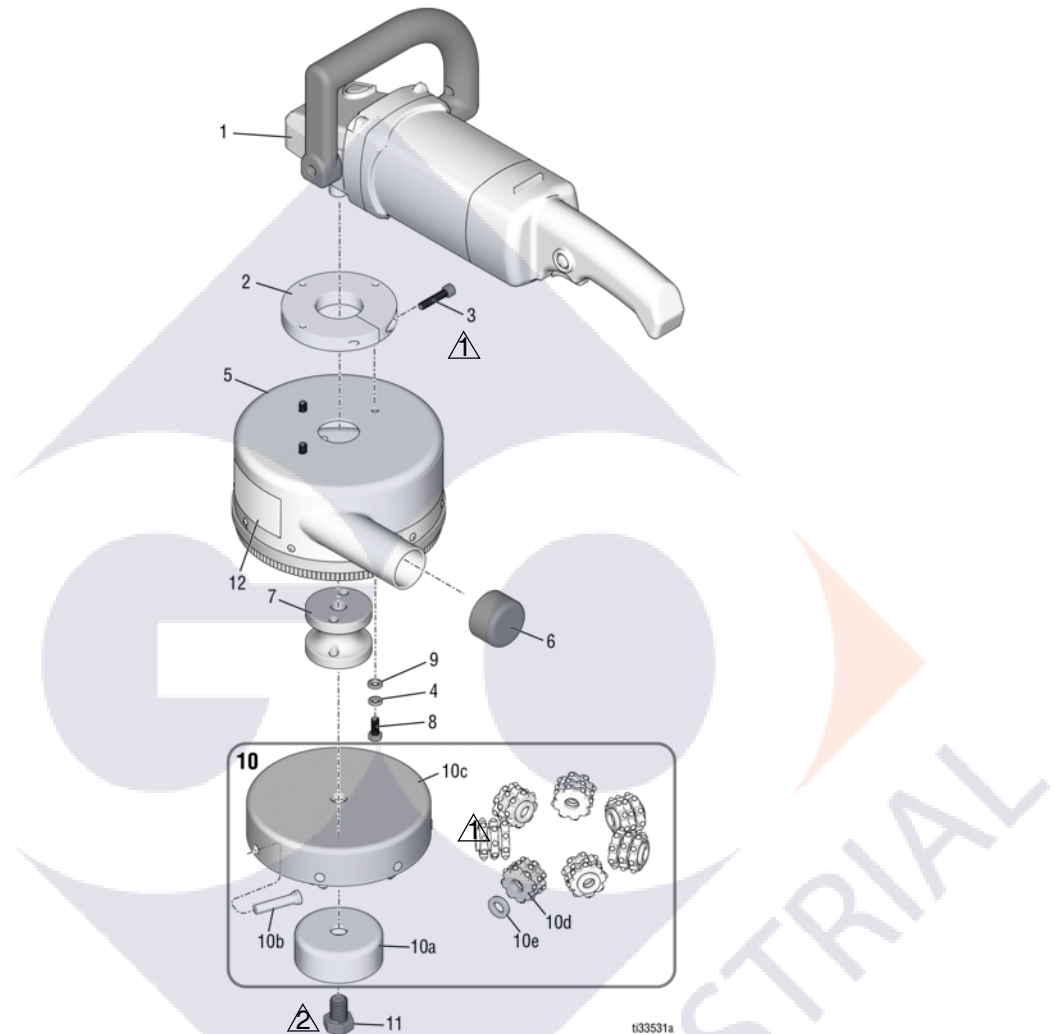
| | | | |
|-----|--------|----|---|
| 8a | 17W879 | 1 | Blank Drum (inc. 8b-8e) |
| 8b | 17W880 | 6 | Shaft |
| 8c | 17W881 | 2 | Retaining Plate |
| 8d | 17W882 | 4 | Washer |
| 8e | 17W883 | 4 | Screw |
| 8f | 19A009 | 36 | Cutter |
| 8g | 17W425 | 42 | Spacer |
| 9 | 17W878 | 7 | Flat Head Screw |
| 10▲ | 17W315 | 1 | Warning Label |
| 11 | 127442 | 1 | Plug Adapter, Schuko to ANZ (not shown) |

* Other drum assembly options are available.

▲ Replacement safety labels, tags, and cards are available at no cost.

Parts - GrindLazer Standard RC71 E

| Ref. | Torque |
|---|-----------------------------|
|  | 65-75 in-lb (7.3-8.5 N•m) |
|  | 26-30 ft-lb (35.3-40.7 N•m) |



Parts List

| Item: | P/N | Qty | Description |
|-------|--------|-----|-----------------------------------|
| 1 | 17W312 | 1 | Grinder, 120V |
| | 17Y399 | 1 | Grinder, 230V |
| 2 | 17W320 | 1 | Locking Collar |
| 3 | 17W876 | 1 | Socket Cap Screw |
| 4 | 17W934 | 3 | Lock Washer |
| 5 | 17W318 | 1 | Housing Assembly |
| 6 | 17W319 | 1 | Vacuum Port Cap |
| 7 | 17W884 | 1 | Drum Adapter Mount (120V models) |
| | 18A898 | 1 | Drum Adapter Mount (230V models) |
| 8 | 17W885 | 3 | Hex Cap Screw |
| 9 | 17W886 | 3 | Flat Washer |
| 10* | 25M911 | 1 | Flail Drum Assembly (120V models) |
| 10a | 17W887 | 1 | Pin Retainer (120V models) |
| 10b | 17W888 | 7 | Pin |
| 10c | 17W889 | 1 | Drum Body (120V models) |

| | | | |
|-----|--------|----|---|
| 10d | 19A009 | 21 | Cutter |
| 10e | 17W425 | 21 | Spacer |
| 11 | 17W321 | 1 | Hex Cap Screw (120V models) |
| 12▲ | 17W315 | 1 | Warning Label |
| 13 | 127442 | 1 | Plug Adapter, Schuko to ANZ (not shown) |

* Other drum assembly options are available.

▲ Replacement safety labels, tags, and cards are available at no cost.

Technical Data

| GrindLazer DC21 E (25M841) | |
|-----------------------------------|-------------------------|
| Dimensions (unpackaged) | |
| Height in./cm: | 19 (48.3) |
| Width in./cm: | 8 (20.3) |
| Length in.cm: | 9 (22.9) |
| Weight lb/kg: | 12 (5.4) |
| Maximum Amperage | 10 Amps |
| Electrical Power Requirement | 120Vac, 60 Hz, 15 A, 1Ø |
| GrindLazer RC71 E (25M848) | |
| Dimensions (unpackaged) | |
| Height in./cm: | 20 (50.8) |
| Width in./cm: | 12 (30.5) |
| Length in.cm: | 11 (27.9) |
| Weight lb/kg: | 15 (6.8) |
| Maximum Amperage | 10 Amps |
| Electrical Power Requirement | 120Vac, 60 Hz, 15 A, 1Ø |

| GrindLazer DC21 E (25N391, 25N609) | |
|---|---------------------------|
| Dimensions (unpackaged) | |
| Height in./cm: | 19 (48.3) |
| Width in./cm: | 8 (20.3) |
| Length in.cm: | 9 (22.9) |
| Weight lb/kg: | 12 (5.4) |
| Maximum Amperage | 5.5 Amps |
| Electrical Power Requirement | 230Vac, 50/60 Hz, 10A, 1Ø |
| Noise (Per EN 60745-1) | |
| Sound Pressure Level* | 83 dBa |
| Sound Power Level* | 94 dBa |
| Uncertainty* | 3 dBa |
| Vibration (Per ISO 5349, based on 8hr daily exposure) | |
| Right/Left Hand** | 3.3 m/s ² |
| GrindLazer RC71 E (25N392, 25N610) | |
| Dimensions (unpackaged) | |
| Height in./cm: | 20 (50.8) |
| Width in./cm: | 12 (30.5) |
| Length in.cm: | 11 (27.9) |
| Weight lb/kg: | 15 (6.8) |
| Maximum Amperage | 5.5 Amps |
| Electrical Power Requirement | 230Vac, 50/60 Hz, 10A, 1Ø |
| Noise (Per EN 60745-1) | |
| Sound Pressure Level* | 83 dBa |
| Sound Power Level* | 94 dBa |
| Uncertainty* | 3 dBa |
| Vibration (Per ISO 5349, based on 8hr daily exposure) | |
| Right/Left Hand** | 6.3 m/s ² |

* Noise values were taken from Makita Polisher Manual for model 9237CB.

** Vibration values were obtained by running GrindLazer at fullspeed, no load.

Graco Standard Warranty

Graco warrants all equipment referenced in this document which is manufactured by Graco and bearing its name to be free from defects in material and workmanship on the date of sale to the original purchaser for use. With the exception of any special, extended, or limited warranty published by Graco, Graco will, for a period of twelve months from the date of sale, repair or replace any part of the equipment determined by Graco to be defective. This warranty applies only when the equipment is installed, operated and maintained in accordance with Graco's written recommendations.

This warranty does not cover, and Graco shall not be liable for general wear and tear, or any malfunction, damage or wear caused by faulty installation, misapplication, abrasion, corrosion, inadequate or improper maintenance, negligence, accident, tampering, or substitution of non-Graco component parts. Nor shall Graco be liable for malfunction, damage or wear caused by the incompatibility of Graco equipment with structures, accessories, equipment or materials not supplied by Graco, or the improper design, manufacture, installation, operation or maintenance of structures, accessories, equipment or materials not supplied by Graco.

This warranty is conditioned upon the prepaid return of the equipment claimed to be defective to an authorized Graco distributor for verification of the claimed defect. If the claimed defect is verified, Graco will repair or replace free of charge any defective parts. The equipment will be returned to the original purchaser transportation prepaid. If inspection of the equipment does not disclose any defect in material or workmanship, repairs will be made at a reasonable charge, which charges may include the costs of parts, labor, and transportation.

THIS WARRANTY IS EXCLUSIVE, AND IS IN LIEU OF ANY OTHER WARRANTIES, EXPRESS OR IMPLIED, INCLUDING BUT NOT LIMITED TO WARRANTY OF MERCHANTABILITY OR WARRANTY OF FITNESS FOR A PARTICULAR PURPOSE.

Graco's sole obligation and buyer's sole remedy for any breach of warranty shall be as set forth above. The buyer agrees that no other remedy (including, but not limited to, incidental or consequential damages for lost profits, lost sales, injury to person or property, or any other incidental or consequential loss) shall be available. Any action for breach of warranty must be brought within two (2) years of the date of sale.

GRACO MAKES NO WARRANTY, AND DISCLAIMS ALL IMPLIED WARRANTIES OF MERCHANTABILITY AND FITNESS FOR A PARTICULAR PURPOSE, IN CONNECTION WITH ACCESSORIES, EQUIPMENT, MATERIALS OR COMPONENTS SOLD BUT NOT MANUFACTURED BY GRACO. These items sold, but not manufactured by Graco (such as electric motors, switches, hose, etc.), are subject to the warranty, if any, of their manufacturer. Graco will provide purchaser with reasonable assistance in making any claim for breach of these warranties.

In no event will Graco be liable for indirect, incidental, special or consequential damages resulting from Graco supplying equipment hereunder, or the furnishing, performance, or use of any products or other goods sold hereto, whether due to a breach of contract, breach of warranty, the negligence of Graco, or otherwise.

FOR GRACO CANADA CUSTOMERS

The Parties acknowledge that they have required that the present document, as well as all documents, notices and legal proceedings entered into, given or instituted pursuant hereto or relating directly or indirectly hereto, be drawn up in English. Les parties reconnaissent avoir convenu que la rédaction du présente document sera en Anglais, ainsi que tous documents, avis et procédures judiciaires exécutés, donnés ou intentés, à la suite de ou en rapport, directement ou indirectement, avec les procédures concernées.

Graco Information

For the latest information about Graco products, visit www.graco.com.

For patent information, see www.graco.com/patents.

TO PLACE AN ORDER, contact your Graco distributor or call 1-800-690-2894 to identify the nearest distributor.



*All written and visual data contained in this document reflects the latest product information available at the time of publication.
Graco reserves the right to make changes at any time without notice.*

Original instructions. This manual contains English. MM 3A5575

Graco Headquarters: Minneapolis

International Offices: Belgium, China, Japan, Korea

GRACO INC. AND SUBSIDIARIES • P.O. BOX 1441 • MINNEAPOLIS MN 55440-1441 • USA
Copyright 2018, Graco Inc. All Graco manufacturing locations are registered to ISO 9001.

www.graco.com
Revision D, October 2021