

Python® Pneumatically Operated Pumps

Features and Benefits

Python pumps are ideal for applications that require a pump to operate in a potentially explosive atmosphere and can run off regulated natural gas or compressed air. These pumps have the lowest out of pocket cost, are easy to operate and use half the air consumption of other pumps in the market. Plus, the Python's extreme duty plungers, seals and timing valve are designed for years of operation before replacement.

Operating Environment

The Python is designed to operate in environments from -40°F to 175°F (-40°C to 79°C), made entirely from 316 SST parts and are sealed against water and dust.

Accurate Control

Ultra precision stroke adjustment between 1/4 to 1 inch (6.4 to 25.4 mm) ensures accurate injection rates.

Environmental

Reduced fugitive methane emissions.

Chemical Compatibility

HNBR, FKM, FKM ETP, FFKM, and TFE/P plunger packings and check valve seals can handle some of the most aggressive chemicals.

Consistent Operation

Pump cycle rate remains constant regardless of system back pressure.

Plunger Rod

Pythons are offered with Chromex coated plungers as the standard product offering. Ceramic coated plungers are also offered as an option. See page 70 for more information regarding benefits of Chromex and Ceramic plunger rod coatings.

Standards

CE and ATEX approved.



Configurations

Fluid Plunger Sizes

- 1/8 in (3.18 mm)
- 3/16 in (4.76 mm)
- 1/4 in (6.35 mm)
- 3/8 in (9.5 mm)
- 1/2 in (12.7 mm)
- 5/8 in (15.9 mm)
- 3/4 in (19.1 mm)

Fluid Plunger Material

- Chromex Coated
- Ceramic Coated

Air Motor Size

- 1-1/4 in (31.8 mm)
- 1-3/4 in (44.5 mm)
- 2 in (50.8 mm)

Input Power

- Compressed air or natural gas
- Max 200 psi (13.8 bar, 1.38 MPa)

Pump Capabilities

- Max flow rate: 165 gpd (625 lpd)
- Max pressure: 12,000 psi (827 bar, 82.7 MPa)
- Max cycle rate: 60 cycles/min

Standards

- ATEX
- CE



Python Pneumatic Pumps

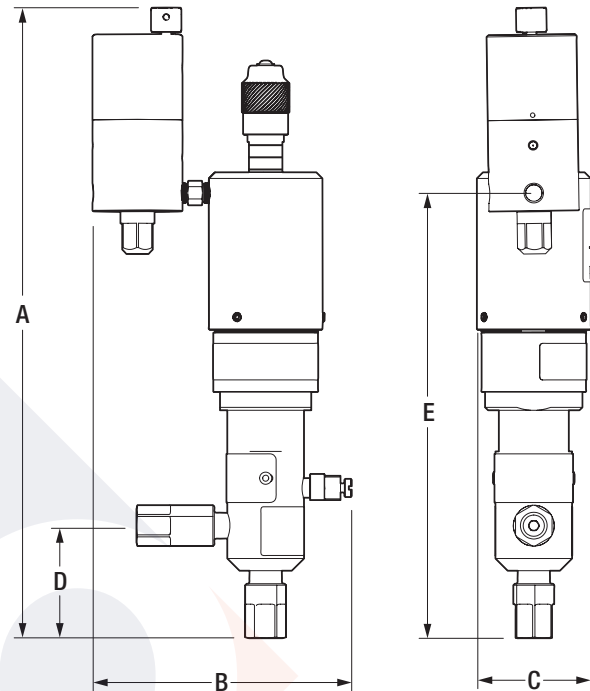
Python® Pneumatically Operated Pumps

(continued)

Technical Data

Python Chemical Injection Pump	
Maximum air inlet pressure	see instruction manual
Maximum fluid working pressure	see instruction manual
Environmental temperature range	-40° F to 176° F (-40° C to 80° C)
Noise (dBa)	
Maximum sound pressure	<70 dBa with included muffler installed
Inlet/Outlet Sizes	
Fluid inlet size	1/4 in npt (f) (1/4 npt (m) adapter included)
Fluid outlet size (1/4 in, 3/8 in, 1/2 in, 5/8 in, and 3/4 in plungers only)	1/4 in npt (f)
Fluid outlet size (1/8 in and 3/16 in plungers only)	HiP HF4
Prime/bleed size (1/4 in, 3/8 in, 1/2 in, 5/8 in, and 3/4 in plungers only)	10-32 UNF
Prime/bleed size (1/8 in and 3/16 in plungers only)	1/16 in npt (f)
Pneumatic inlet size	1/8 in npt (f) (1/4 in npt (f) adapter included)
Pneumatic outlet size (exhaust recovery)	1/8 in npt (f)
Materials of Construction	
Pump/Check Valve seal material	See Configuration Number Matrix below for seal material.
Wetted Parts	See Configuration Number Matrix below for seal material. All other materials are 316 stainless steel unless otherwise noted.
Weight	
All models	8-11 lb (3.6-4.9 kg)

Dimensions



A	B	C	D	E
13.26 in (33.7 cm)	5.3 in (13.5 cm)	2.34 in (5.9 cm)	2.3 in (5.8 cm)	9.125 in (23.2 cm)

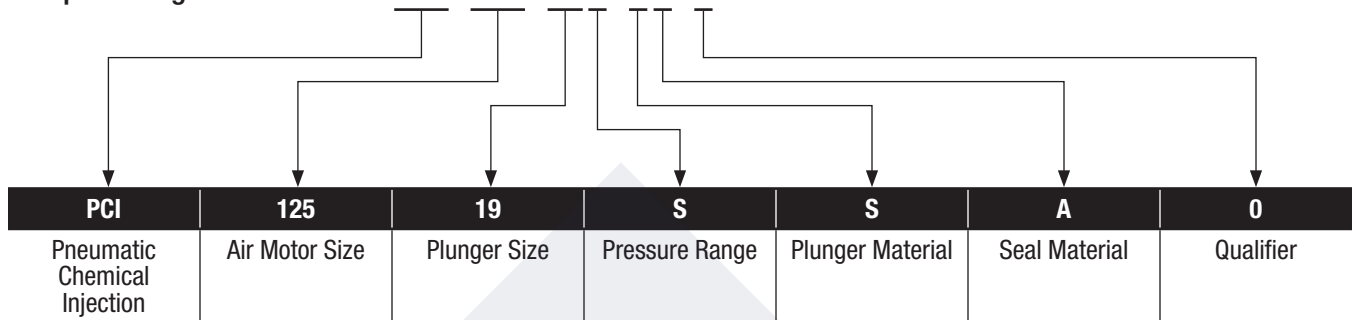
Python® Pneumatically Operated Pumps

Configuration Number Matrix

Graco provides a configuration numbering matrix to identify its pump's various configurations. Use the following matrix to define the components applicable to your needs.

NOTE: Not all possible configurations are available.

Sample Configuration Number: **PCI-125-19S-XA-A**



Air Motor Size		Plunger Size (diameter)		Pressure Range		Plunger Material		Seal Material		Qualifier	
125	1-1/4 in	13	1/8 in	S	Standard Pressure (1/4 in, 3/8 in, 1/2 in, 5/8 in, 3/4 in plungers)	X	Chromex Coated 17-4 PH Stainless	A	FKM	A	ATEX
175	1-3/4 in	19	3/16 in	H	High Pressure (1/8 in & 3/16 in plungers)	C	Ceramic Coated 17-4 PH Stainless	B	FKMETP	U	U-Cup Air Piston
200	2 in	25	1/4 in					C	HNBR		
		38	3/8 in					D	FFKM		
		50	1/2 in					E	TFE/P		
		63	5/8 in								
		75	3/4 in								

Key Points

- Standard pressure pumps feature 1/4 in npt (f) inlet and outlet connections.
- High pressure pumps feature 1/4 in npt (f) inlet and HiP HF4 outlet connections.
- B32240 can be used to convert HF4 outlet connection to 1/4 in npt (f) for applications 10,000 psi and under.

Python® Pneumatically Operated Pumps (continued)

Python® Pneumatic Pump Performance*

Air Piston (in)	Plunger (in)	Pressure (psi)	Flow (gal/day)
1-1/4	1/8	12,000	5
	3/16	6,500	10
	1/4	3,500	18
	3/8	1,500	41
	1/2	875	73
	5/8	500	115
	3/4	400	165
1-3/4	1/8	12,000	5
	3/16	12,000	10
	1/4	7,000	18
	3/8	3,000	41
	1/2	1,750	73
	5/8	1,000	115
	3/4	800	165
2	1/8	12,000	5
	3/16	12,000	10
	1/4	9,500	18
	3/8	4,000	41
	1/2	2,250	73
	5/8	1,500	115
	3/4	1,000	165

* Please reference the Python installation manual for pump performance curves.



Python® Pneumatically Operated Pumps

Quick Reference Chart

1-1/4 in Air Piston (CE Approved)							
Seals / Plunger Size	1/8 in	3/16 in	1/4 in	3/8 in	1/2 in	5/8 in	3/4 in
FKM	A25000	A25001	A25002	A25003	A25004	A25005	A25006
FKM-ETP	A25021	A25022	A25023	A25024	A25025	A25026	A25027
HNBR	A25042	A25043	A25044	A25045	A25046	A25047	A25048
FFKM	A25063	A25064	A25065	A25066	A25067	A25068	A25069
TFE/P	A25090	A25091	A25092	A25093	A25094	A25095	A25096

1-3/4 in Air Piston (CE Approved)							
Seals / Plunger Size	1/8 in	3/16 in	1/4 in	3/8 in	1/2 in	5/8 in	3/4 in
FKM	A25007	A25008	A25009	A25010	A25011	A25012	A25013
FKM-ETP	A25028	A25029	A25030	A25031	A25032	A25033	A25034
HNBR	A25049	A25050	A25051	A25052	A25053	A25054	A25055
FFKM	A25070	A25071	A25072	A25073	A25074	A25075	A25076
TFE/P	A25097	A25098	A25099	A25184	A25185	A25186	A25187
TFE/P (U-cup)	-	-	A25084	A25085	A25086	-	-

2 in Air Piston (CE Approved)							
Seals / Plunger Size	1/8 in	3/16 in	1/4 in	3/8 in	1/2 in	5/8 in	3/4 in
FKM	A25014	A25015	A25016	A25017	A25018	A25019	A25020
FKM-ETP	A25035	A25036	A25037	A25038	A25039	A25040	A25041
HNBR	A25056	A25057	A25058	A25059	A25060	A25061	A25062
FFKM	A25077	A25078	A25079	A25080	A25081	A25082	A25083
TFE/P	A25188	A25189	A25190	A25191	A25192	A25193	A25194
TFE/P (U-cup)	-	-	A25087	A25088	A25089	-	-

1-1/4 in Air Piston (ATEX Approved)							
Seals / Plunger Size	1/8 in	3/16 in	1/4 in	3/8 in	1/2 in	5/8 in	3/4 in
FKM	A25100	A25101	A25102	A25103	A25104	A25105	A25106
FKM-ETP	A25121	A25122	A25123	A25124	A25125	A25126	A25127
HNBR	A25142	A25143	A25144	A25145	A25146	A25147	A25148
FFKM	A25163	A25164	A25165	A25166	A25167	A25168	A25169

1-3/4 in Air Piston (ATEX Approved)							
Seals / Plunger Size	1/8 in	3/16 in	1/4 in	3/8 in	1/2 in	5/8 in	3/4 in
FKM	A25107	A25108	A25109	A25110	A25111	A25112	A25113
FKM-ETP	A25128	A25129	A25130	A25131	A25132	A25133	A25134
HNBR	A25149	A25150	A25151	A25152	A25153	A25154	A25155
FFKM	A25170	A25171	A25172	A25173	A25174	A25175	A25176

2 in Air Piston (ATEX Approved)							
Seals / Plunger Size	1/8 in	3/16 in	1/4 in	3/8 in	1/2 in	5/8 in	3/4 in
FKM	A25114	A25115	A25116	A25117	A25118	A25119	A25120
FKM-ETP	A25135	A25136	A25137	A25138	A25139	A25140	A25141
HNBR	A25156	A25157	A25158	A25159	A25160	A25161	A25162
FFKM	A25177	A25178	A25179	A25180	A25181	A25182	A25183

Python® Pneumatically Operated Pumps

CE Approved

Ordering Information

Part Number	Description
A25000	Python, 1-1/4 in Air Motor, 1/8 in Plunger, FKM Seals
A25001	Python, 1-1/4 in Air Motor, 3/16 in Plunger, FKM Seals
A25002	Python, 1-1/4 in Air Motor, 1/4 in Plunger, FKM Seals
A25003	Python, 1-1/4 in Air Motor, 3/8 in Plunger, FKM Seals
A25004	Python, 1-1/4 in Air Motor, 1/2 in Plunger, FKM Seals
A25005	Python, 1-1/4 in Air Motor, 5/8 in Plunger, FKM Seals
A25006	Python, 1-1/4 in Air Motor, 3/4 in Plunger, FKM Seals
A25042	Python, 1-1/4 in Air Motor, 1/8 in Plunger, HNBR Seals
A25043	Python, 1-1/4 in Air Motor, 3/16 in Plunger, HNBR Seals
A25044	Python, 1-1/4 in Air Motor, 1/4 in Plunger, HNBR Seals
A25045	Python, 1-1/4 in Air Motor, 3/8 in Plunger, HNBR Seals
A25046	Python, 1-1/4 in Air Motor, 1/2 in Plunger, HNBR Seals
A25047	Python, 1-1/4 in Air Motor, 5/8 in Plunger, HNBR Seals
A25048	Python, 1-1/4 in Air Motor, 3/4 in Plunger, HNBR Seals
A25021	Python, 1-1/4 in Air Motor, 1/8 in Plunger, FKM-ETP Seals
A25022	Python, 1-1/4 in Air Motor, 3/16 in Plunger, FKM-ETP Seals
A25023	Python, 1-1/4 in Air Motor, 1/4 in Plunger, FKM-ETP Seals
A25024	Python, 1-1/4 in Air Motor, 3/8 in Plunger, FKM-ETP Seals
A25025	Python, 1-1/4 in Air Motor, 1/2 in Plunger, FKM-ETP Seals
A25026	Python, 1-1/4 in Air Motor, 5/8 in Plunger, FKM-ETP Seals
A25027	Python, 1-1/4 in Air Motor, 3/4 in Plunger, FKM-ETP Seals
A25063	Python, 1-1/4 in Air Motor, 1/8 in Plunger, FFKM Seals
A25064	Python, 1-1/4 in Air Motor, 3/16 in Plunger, FFKM Seals
A25065	Python, 1-1/4 in Air Motor, 1/4 in Plunger, FFKM Seals
A25066	Python, 1-1/4 in Air Motor, 3/8 in Plunger, FFKM Seals
A25067	Python, 1-1/4 in Air Motor, 1/2 in Plunger, FFKM Seals
A25068	Python, 1-1/4 in Air Motor, 5/8 in Plunger, FFKM Seals
A25069	Python, 1-1/4 in Air Motor, 3/4 in Plunger, FFKM Seals
A25090	Python, 1-1/4 in Air Motor, 1/8 in Plunger, TFE/P Seals
A25091	Python, 1-1/4 in Air Motor, 3/16 in Plunger, TFE/P Seals
A25092	Python, 1-1/4 in Air Motor, 1/4 in Plunger, TFE/P Seals
A25093	Python, 1-1/4 in Air Motor, 3/8 in Plunger, TFE/P Seals
A25094	Python, 1-1/4 in Air Motor, 1/2 in Plunger, TFE/P Seals
A25095	Python, 1-1/4 in Air Motor, 5/8 in Plunger, TFE/P Seals
A25096	Python, 1-1/4 in Air Motor, 3/4 in Plunger, TFE/P Seals
A25013	Python, 1-3/4 in Air Motor, 3/4 in Plunger, FKM Seals

Ordering Information

Part Number	Description
A25049	Python, 1-3/4 in Air Motor, 1/8 in Plunger, HNBR Seals
A25050	Python, 1-3/4 in Air Motor, 3/16 in Plunger, HNBR Seals
A25051	Python, 1-3/4 in Air Motor, 1/4 in Plunger, HNBR Seals
A25052	Python, 1-3/4 in Air Motor, 3/8 in Plunger, HNBR Seals
A25053	Python, 1-3/4 in Air Motor, 1/2 in Plunger, HNBR Seals
A25054	Python, 1-3/4 in Air Motor, 5/8 in Plunger, HNBR Seals
A25055	Python, 1-3/4 in Air Motor, 3/4 in Plunger, HNBR Seals
A25007	Python, 1-3/4 in Air Motor, 1/8 in Plunger, FKM Seals
A25008	Python, 1-3/4 in Air Motor, 3/16 in Plunger, FKM Seals
A25009	Python, 1-3/4 in Air Motor, 1/4 in Plunger, FKM Seals
A25010	Python, 1-3/4 in Air Motor, 3/8 in Plunger, FKM Seals
A25011	Python, 1-3/4 in Air Motor, 1/2 in Plunger, FKM Seals
A25012	Python, 1-3/4 in Air Motor, 5/8 in Plunger, FKM Seals
A25013	Python, 1-3/4 in Air Motor, 3/4 in Plunger, FKM Seals
A25028	Python, 1-3/4 in Air Motor, 1/8 in Plunger, FKM-ETP Seals
A25029	Python, 1-3/4 in Air Motor, 3/16 in Plunger, FKM-ETP Seals
A25030	Python, 1-3/4 in Air Motor, 1/4 in Plunger, FKM-ETP Seals
A25031	Python, 1-3/4 in Air Motor, 3/8 in Plunger, FKM-ETP Seals
A25032	Python, 1-3/4 in Air Motor, 1/2 in Plunger, FKM-ETP Seals
A25033	Python, 1-3/4 in Air Motor, 5/8 in Plunger, FKM-ETP Seals
A25034	Python, 1-3/4 in Air Motor, 3/4 in Plunger, FKM-ETP Seals
A25070	Python, 1-3/4 in Air Motor, 1/8 in Plunger, FFKM Seals
A25071	Python, 1-3/4 in Air Motor, 3/16 in Plunger, FFKM Seals
A25072	Python, 1-3/4 in Air Motor, 1/4 in Plunger, FFKM Seals
A25073	Python, 1-3/4 in Air Motor, 3/8 in Plunger, FFKM Seals
A25074	Python, 1-3/4 in Air Motor, 1/2 in Plunger, FFKM Seals
A25075	Python, 1-3/4 in Air Motor, 5/8 in Plunger, FFKM Seals
A25076	Python, 1-3/4 in Air Motor, 3/4 in Plunger, FFKM Seals
A25097	Python, 1-3/4 in Air Motor, 1/8 in Plunger, TFE/P Seals
A25098	Python, 1-3/4 in Air Motor, 3/16 in Plunger, TFE/P Seals
A25099	Python, 1-3/4 in Air Motor, 1/4 in Plunger, TFE/P Seals
A25184	Python, 1-3/4 in Air Motor, 3/8 in Plunger, TFE/P Seals
A25185	Python, 1-3/4 in Air Motor, 1/2 in Plunger, TFE/P Seals
A25186	Python, 1-3/4 in Air Motor, 5/8 in Plunger, TFE/P Seals
A25187	Python, 1-3/4 in Air Motor, 3/4 in Plunger, TFE/P Seals
A25084	Python, 1-3/4 in Air Motor, 1/4 in Plunger, TFE/P Seals, U-Cup Air Motor Seal
A25085	Python, 1-3/4 in Air Motor, 3/8 in Plunger, TFE/P Seals, U-Cup Air Motor Seal
A25086	Python, 1-3/4 in Air Motor, 1/2 in Plunger, TFE/P Seals, U-Cup Air Motor Seal

Python® Pneumatically Operated Pumps

CE Approved

Ordering Information

Part Number	Description
A25056	Python, 2 in Air Motor, 1/8 in Plunger, HNBR Seals
A25057	Python, 2 in Air Motor, 3/16 in Plunger, HNBR Seals
A25058	Python, 2 in Air Motor, 1/4 in Plunger, HNBR Seals
A25059	Python, 2 in Air Motor, 3/8 in Plunger, HNBR Seals
A25060	Python, 2 in Air Motor, 1/2 in Plunger, HNBR Seals
A25061	Python, 2 in Air Motor, 5/8 in Plunger, HNBR Seals
A25062	Python, 2 in Air Motor, 3/4 in Plunger, HNBR Seals
A25014	Python, 2 in Air Motor, 1/8 in Plunger, FKM Seals
A25015	Python, 2 in Air Motor, 3/16 in Plunger, FKM Seals
A25016	Python, 2 in Air Motor, 1/4 in Plunger, FKM Seals
A25017	Python, 2 in Air Motor, 3/8 in Plunger, FKM Seals
A25018	Python, 2 in Air Motor, 1/2 in Plunger, FKM Seals
A25019	Python, 2 in Air Motor, 5/8 in Plunger, FKM Seals
A25020	Python, 2 in Air Motor, 3/4 in Plunger, FKM Seals
A25035	Python, 2 in Air Motor, 1/8 in Plunger, FKM-ETP Seals
A25036	Python, 2 in Air Motor, 3/16 in Plunger, FKM-ETP Seals
A25037	Python, 2 in Air Motor, 1/4 in Plunger, FKM-ETP Seals
A25038	Python, 2 in Air Motor, 3/8 in Plunger, FKM-ETP Seals
A25039	Python, 2 in Air Motor, 1/2 in Plunger, FKM-ETP Seals
A25040	Python, 2 in Air Motor, 5/8 in Plunger, FKM-ETP Seals
A25041	Python, 2 in Air Motor, 3/4 in Plunger, FKM-ETP Seals
A25077	Python, 2 in Air Motor, 1/8 in Plunger, FFKM Seals
A25078	Python, 2 in Air Motor, 3/16 in Plunger, FFKM Seals
A25079	Python, 2 in Air Motor, 1/4 in Plunger, FFKM Seals
A25080	Python, 2 in Air Motor, 3/8 in Plunger, FFKM Seals
A25081	Python, 2 in Air Motor, 1/2 in Plunger, FFKM Seals
A25082	Python, 2 in Air Motor, 5/8 in Plunger, FFKM Seals
A25083	Python, 2 in Air Motor, 3/4 in Plunger, FFKM Seals
A25188	Python, 2 in Air Motor, 1/8 in Plunger, TFE/P Seals
A25189	Python, 2 in Air Motor, 3/16 in Plunger, TFE/P Seals
A25190	Python, 2 in Air Motor, 1/4 in Plunger, TFE/P Seals
A25191	Python, 2 in Air Motor, 3/8 in Plunger, TFE/P Seals
A25192	Python, 2 in Air Motor, 1/2 in Plunger, TFE/P Seals
A25193	Python, 2 in Air Motor, 5/8 in Plunger, TFE/P Seals
A25194	Python, 2 in Air Motor, 3/4 in Plunger, TFE/P Seals
A25087	Python, 2 in Air Motor, 1/4 in Plunger, TFE/P Seals, U-Cup Air Motor Seal
A25088	Python, 2 in Air Motor, 3/8 in Plunger, TFE/P Seals, U-Cup Air Motor Seal
A25089	Python, 2 in Air Motor, 1/2 in Plunger, TFE/P Seals, U-Cup Air Motor Seal

Python® Pneumatically Operated Pumps

ATEX Approved

Ordering Information

Part Number	Description
A25100	Python, 1-1/4 in Air Motor, 1/8 in Plunger, FKM Seals, ATEX
A25101	Python, 1-1/4 in Air Motor, 3/16 in Plunger, FKM Seals, ATEX
A25102	Python, 1-1/4 in Air Motor, 1/4 in Plunger, FKM Seals, ATEX
A25103	Python, 1-1/4 in Air Motor, 3/8 in Plunger, FKM Seals, ATEX
A25104	Python, 1-1/4 in Air Motor, 1/2 in Plunger, FKM Seals, ATEX
A25105	Python, 1-1/4 in Air Motor, 5/8 in Plunger, FKM Seals, ATEX
A25106	Python, 1-1/4 in Air Motor, 3/4 in Plunger, FKM Seals, ATEX
A25142	Python, 1-1/4 in Air Motor, 1/8 in Plunger, HNBR Seals, ATEX
A25143	Python, 1-1/4 in Air Motor, 3/16 in Plunger, HNBR Seals, ATEX
A25144	Python, 1-1/4 in Air Motor, 1/4 in Plunger, HNBR Seals, ATEX
A25145	Python, 1-1/4 in Air Motor, 3/8 in Plunger, HNBR Seals, ATEX
A25146	Python, 1-1/4 in Air Motor, 1/2 in Plunger, HNBR Seals, ATEX
A25147	Python, 1-1/4 in Air Motor, 5/8 in Plunger, HNBR Seals, ATEX
A25148	Python, 1-1/4 in Air Motor, 3/4 in Plunger, HNBR Seals, ATEX
A25121	Python, 1-1/4 in Air Motor, 1/8 in Plunger, FKM-ETP Seals, ATEX
A25122	Python, 1-1/4 in Air Motor, 3/16 in Plunger, FKM-ETP Seals, ATEX
A25123	Python, 1-1/4 in Air Motor, 1/4 in Plunger, FKM-ETP Seals, ATEX
A25124	Python, 1-1/4 in Air Motor, 3/8 in Plunger, FKM-ETP Seals, ATEX
A25125	Python, 1-1/4 in Air Motor, 1/2 in Plunger, FKM-ETP Seals, ATEX
A25126	Python, 1-1/4 in Air Motor, 5/8 in Plunger, FKM-ETP Seals, ATEX
A25127	Python, 1-1/4 in Air Motor, 3/4 in Plunger, FKM-ETP Seals, ATEX
A25163	Python, 1-1/4 in Air Motor, 1/8 in Plunger, FFKM Seals, ATEX
A25164	Python, 1-1/4 in Air Motor, 3/16 in Plunger, FFKM Seals, ATEX
A25165	Python, 1-1/4 in Air Motor, 1/4 in Plunger, FFKM Seals, ATEX
A25166	Python, 1-1/4 in Air Motor, 3/8 in Plunger, FFKM Seals, ATEX
A25167	Python, 1-1/4 in Air Motor, 1/2 in Plunger, FFKM Seals, ATEX
A25168	Python, 1-1/4 in Air Motor, 5/8 in Plunger, FFKM Seals, ATEX
A25169	Python, 1-1/4 in Air Motor, 3/4 in Plunger, FFKM Seals, ATEX

Ordering Information

Part Number	Description
A25107	Python, 1-3/4 in Air Motor, 1/8 in Plunger, FKM Seals, ATEX
A25108	Python, 1-3/4 in Air Motor, 3/16 in Plunger, FKM Seals, ATEX
A25109	Python, 1-3/4 in Air Motor, 1/4 in Plunger, FKM Seals, ATEX
A25110	Python, 1-3/4 in Air Motor, 3/8 in Plunger, FKM Seals, ATEX
A25111	Python, 1-3/4 in Air Motor, 1/2 in Plunger, FKM Seals, ATEX
A25112	Python, 1-3/4 in Air Motor, 5/8 in Plunger, FKM Seals, ATEX
A25113	Python, 1-3/4 in Air Motor, 3/4 in Plunger, FKM Seals, ATEX
A25149	Python, 1-3/4 in Air Motor, 1/8 in Plunger, HNBR Seals, ATEX
A25150	Python, 1-3/4 in Air Motor, 3/16 in Plunger, HNBR Seals, ATEX
A25151	Python, 1-3/4 in Air Motor, 1/4 in Plunger, HNBR Seals, ATEX
A25152	Python, 1-3/4 in Air Motor, 3/8 in Plunger, HNBR Seals, ATEX
A25153	Python, 1-3/4 in Air Motor, 1/2 in Plunger, HNBR Seals, ATEX
A25154	Python, 1-3/4 in Air Motor, 5/8 in Plunger, HNBR Seals, ATEX
A25155	Python, 1-3/4 in Air Motor, 3/4 in Plunger, HNBR Seals, ATEX
A25128	Python, 1-3/4 in Air Motor, 1/8 in Plunger, FKM-ETP Seals, ATEX
A25129	Python, 1-3/4 in Air Motor, 3/16 in Plunger, FKM-ETP Seals, ATEX
A25130	Python, 1-3/4 in Air Motor, 1/4 in Plunger, FKM-ETP Seals, ATEX
A25131	Python, 1-3/4 in Air Motor, 3/8 in Plunger, FKM-ETP Seals, ATEX
A25132	Python, 1-3/4 in Air Motor, 1/2 in Plunger, FKM-ETP Seals, ATEX
A25133	Python, 1-3/4 in Air Motor, 5/8 in Plunger, FKM-ETP Seals, ATEX
A25134	Python, 1-3/4 in Air Motor, 3/4 in Plunger, FKM-ETP Seals, ATEX
A25170	Python, 1-3/4 in Air Motor, 1/8 in Plunger, FFKM Seals, ATEX
A25171	Python, 1-3/4 in Air Motor, 3/16 in Plunger, FFKM Seals, ATEX
A25172	Python, 1-3/4 in Air Motor, 1/4 in Plunger, FFKM Seals, ATEX
A25173	Python, 1-3/4 in Air Motor, 3/8 in Plunger, FFKM Seals, ATEX
A25174	Python, 1-3/4 in Air Motor, 1/2 in Plunger, FFKM Seals, ATEX
A25175	Python, 1-3/4 in Air Motor, 5/8 in Plunger, FFKM Seals, ATEX
A25176	Python, 1-3/4 in Air Motor, 3/4 in Plunger, FFKM Seals, ATEX

Python® Pneumatically Operated Pumps

ATEX Approved

Ordering Information

Part Number	Description
A25156	Python, 2 in Air Motor, 1/8 in Plunger, HNBR Seals, ATEX
A25157	Python, 2 in Air Motor, 3/16 in Plunger, HNBR Seals, ATEX
A25158	Python, 2 in Air Motor, 1/4 in Plunger, HNBR Seals, ATEX
A25159	Python, 2 in Air Motor, 3/8 in Plunger, HNBR Seals, ATEX
A25160	Python, 2 in Air Motor, 1/2 in Plunger, HNBR Seals, ATEX
A25161	Python, 2 in Air Motor, 5/8 in Plunger, HNBR Seals, ATEX
A25162	Python, 2 in Air Motor, 3/4 in Plunger, HNBR Seals, ATEX
A25114	Python, 2 in Air Motor, 1/8 in Plunger, FKM Seals, ATEX
A25115	Python, 2 in Air Motor, 3/16 in Plunger, FKM Seals, ATEX
A25116	Python, 2 in Air Motor, 1/4 in Plunger, FKM Seals, ATEX
A25117	Python, 2 in Air Motor, 3/8 in Plunger, FKM Seals, ATEX
A25118	Python, 2 in Air Motor, 1/2 in Plunger, FKM Seals, ATEX
A25119	Python, 2 in Air Motor, 5/8 in Plunger, FKM Seals, ATEX
A25120	Python, 2 in Air Motor, 3/4 in Plunger, FKM Seals, ATEX
A25135	Python, 2 in Air Motor, 1/8 in Plunger, FKM-ETP Seals, ATEX
A25136	Python, 2 in Air Motor, 3/16 in Plunger, FKM-ETP Seals, ATEX
A25137	Python, 2 in Air Motor, 1/4 in Plunger, FKM-ETP Seals, ATEX
A25138	Python, 2 in Air Motor, 3/8 in Plunger, FKM-ETP Seals, ATEX
A25139	Python, 2 in Air Motor, 1/2 in Plunger, FKM-ETP Seals, ATEX
A25140	Python, 2 in Air Motor, 5/8 in Plunger, FKM-ETP Seals, ATEX
A25141	Python, 2 in Air Motor, 3/4 in Plunger, FKM-ETP Seals, ATEX
A25177	Python, 2 in Air Motor, 1/8 in Plunger, FFKM Seals, ATEX
A25178	Python, 2 in Air Motor, 3/16 in Plunger, FFKM Seals, ATEX
A25179	Python, 2 in Air Motor, 1/4 in Plunger, FFKM Seals, ATEX
A25180	Python, 2 in Air Motor, 3/8 in Plunger, FFKM Seals, ATEX
A25181	Python, 2 in Air Motor, 1/2 in Plunger, FFKM Seals, ATEX
A25182	Python, 2 in Air Motor, 5/8 in Plunger, FFKM Seals, ATEX
A25183	Python, 2 in Air Motor, 3/4 in Plunger, FFKM Seals

goind.com.au

Python Pneumatic Pumps