

## GH™ 130/200/230/300 and DutyMax GH/EH™ 230/300 Displacement Pump

334654D

EN

*For professional use only.*

*Not approved for use in explosive atmosphere or hazardous locations.*

*For portable airless spraying of architectural paints and coatings.*

Models: 24B748, 24W995, 24W996, 24W997, 24W998, 24W999, 24X001, 26C190, 26C191

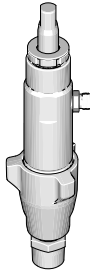


### Important Safety Instructions

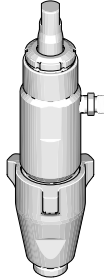
Read all warnings and instructions in this manual and related manuals.

Be familiar with the controls and the proper usage of the equipment.

Save these instructions.



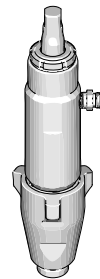
24B748



24W995



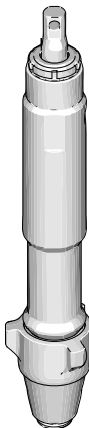
24W996



24W997



24W998



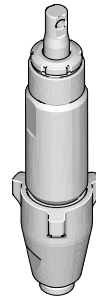
24W999



24X001



26C191



26C190

ti25242b

*Use only genuine Graco replacement parts.*

*The use of non-Graco replacement parts may void warranty.*









# Table of Contents

## Table of Contents

<b>Warnings</b> .....	<b>3</b>
<b>Repair</b> .....	<b>4</b>
Trigger Lock .....	4
Pressure Relief Procedure .....	4
Disassemble Pump .....	6
Assemble Pump .....	9
<b>Notes</b> .....	<b>13</b>
<b>Parts</b> .....	<b>14</b>
Pump 24B748 .....	14
Parts List .....	15
<b>Parts</b> .....	<b>16</b>
Pump 24W995 .....	16
Parts List .....	17
<b>Parts</b> .....	<b>18</b>
Pump 24W996 .....	18
Parts List .....	19
<b>Parts</b> .....	<b>20</b>
Pump 24W997 .....	20
Parts List .....	21
<b>Parts</b> .....	<b>22</b>
Pump 24W998 .....	22
Parts List .....	23
<b>Parts</b> .....	<b>24</b>
Pump 24W999 .....	24
Parts List .....	25
<b>Parts</b> .....	<b>26</b>
Pump 24X001 .....	26
Parts List .....	27
<b>Parts</b> .....	<b>28</b>
Pump 26C195 .....	28
Parts List .....	29
<b>Parts</b> .....	<b>30</b>
Pump 26C196 .....	30
Parts List .....	31
<b>Technical Specifications</b> .....	<b>32</b>
<b>Graco Standard Warranty</b> .....	<b>33</b>
<b>Graco Information</b> .....	<b>34</b>

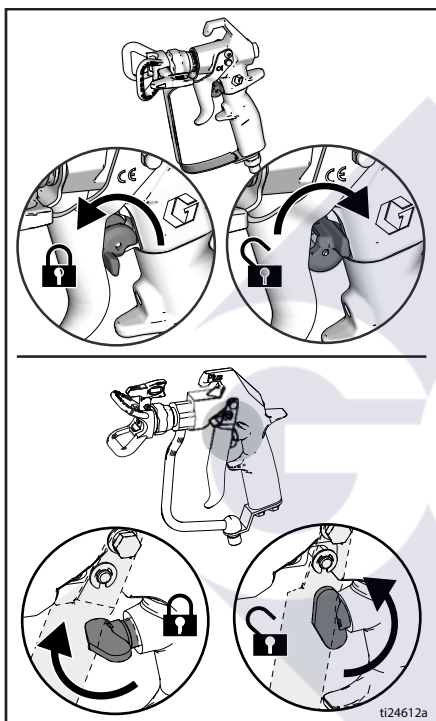
## Warnings

The following warnings are for the setup, use, grounding, maintenance, and repair of this equipment. The exclamation point symbol alerts you to a general warning and the hazard symbols refer to procedure-specific risks. When these symbols appear in the body of this manual or on warning labels, refer back to these Warnings. Product-specific hazard symbols and warnings not covered in this section may appear throughout the body of this manual where applicable.

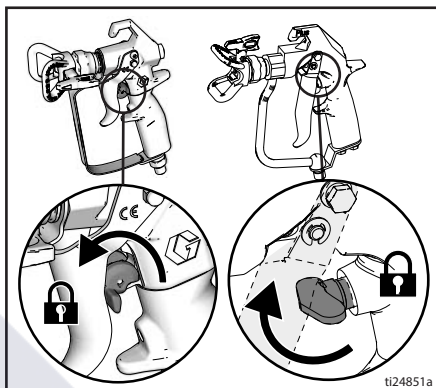
 <b>WARNING</b>	
    	<p><b>SKIN INJECTION HAZARD</b></p> <p>High-pressure spray is able to inject toxins into the body and cause serious bodily injury. In the event that injection occurs, <b>get immediate surgical treatment.</b></p> <ul style="list-style-type: none"> <li>• Do not aim the gun at, or spray any person or animal.</li> <li>• Keep hands and other body parts away from the discharge. For example, do not try to stop leaks with any part of the body.</li> <li>• Always use the nozzle tip guard. Do not spray without nozzle tip guard in place.</li> <li>• Use Graco nozzle tips.</li> <li>• Use caution when cleaning and changing nozzle tips. In the case where the nozzle tip clogs while spraying, follow the <b>Pressure Relief Procedure</b> for turning off the unit and relieving the pressure before removing the nozzle tip to clean.</li> <li>• Equipment maintains pressure after power is shut off. Do not leave the equipment energized or under pressure while unattended. Follow the <b>Pressure Relief Procedure</b> when the equipment is unattended or not in use, and before servicing, cleaning, or removing parts.</li> <li>• Check hoses and parts for signs of damage. Replace any damaged hoses or parts.</li> <li>• This system is capable of producing 3300 psi. Use Graco replacement parts or accessories that are rated a minimum of 3300 psi.</li> <li>• Always engage the trigger lock when not spraying. Verify the trigger lock is functioning properly.</li> <li>• Verify that all connections are secure before operating the unit.</li> <li>• Know how to stop the unit and bleed pressure quickly. Be thoroughly familiar with the controls.</li> </ul>
	<p><b>PRESSURIZED ALUMINUM PARTS HAZARD</b></p> <p>Use of fluids that are incompatible with aluminum in pressurized equipment can cause serious chemical reaction and equipment rupture. Failure to follow this warning can result in death, serious injury, or property damage.</p> <ul style="list-style-type: none"> <li>• Do not use 1,1,1-trichloroethane, methylene chloride, other halogenated hydrocarbon solvents or fluids containing such solvents.</li> <li>• Do not use chlorine bleach.</li> <li>• Many other fluids may contain chemicals that can react with aluminum. Contact your material supplier for compatibility.</li> </ul>
	<p><b>PERSONAL PROTECTIVE EQUIPMENT</b></p> <p>Wear appropriate protective equipment when in the work area to help prevent serious injury, including eye injury, hearing loss, inhalation of toxic fumes, and burns. This protective equipment includes but is not limited to:</p> <ul style="list-style-type: none"> <li>• Protective eye wear, and hearing protection.</li> <li>• Respirators, protective clothing, and gloves as recommended by the fluid and solvent manufacturer.</li> </ul>
	<p><b>CALIFORNIA PROPOSITION 65</b></p> <p>This product contains a chemical known to the State of California to cause cancer, birth defects or other reproductive harm. Wash hands after handling.</p>

## Trigger Lock

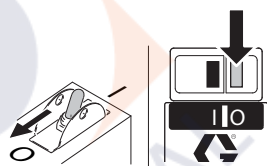
Always engage the trigger lock when sprayer is stopped to prevent the gun from being triggered accidentally by hand or if dropped or bumped.



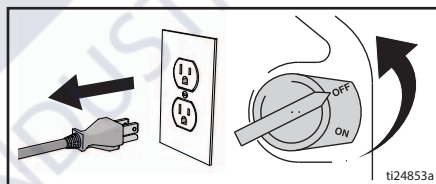
1. Engage trigger lock.



2. If applicable, turn electric motor ON/OFF switch to **OFF** position. Wait 7 seconds for power to dissipate.



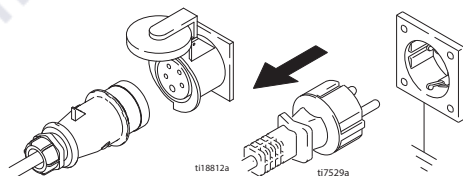
3. Unplug power cord or shut engine off.



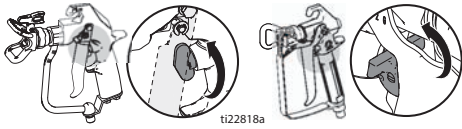
## Pressure Relief Procedure



This equipment stays pressurized until pressure is manually relieved. To help prevent serious injury from pressurized fluid, such as skin injection, splashed fluid and moving parts, follow the **Pressure Relief Procedure** whenever sprayer is stopped and before sprayer is cleaned or checked, and before equipment is serviced.



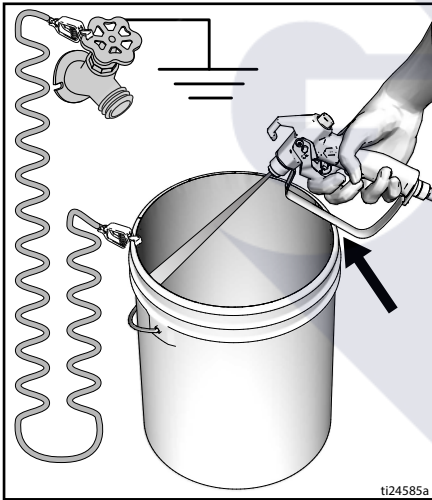
1. Disengage trigger lock.



2. Hold a metal part of the gun firmly to a grounded metal pail. Trigger the gun to relieve pressure.

**Solvent and oil-based fluids:** follow local code. Use only conductive metal pails, placed on a grounded surface such as concrete.

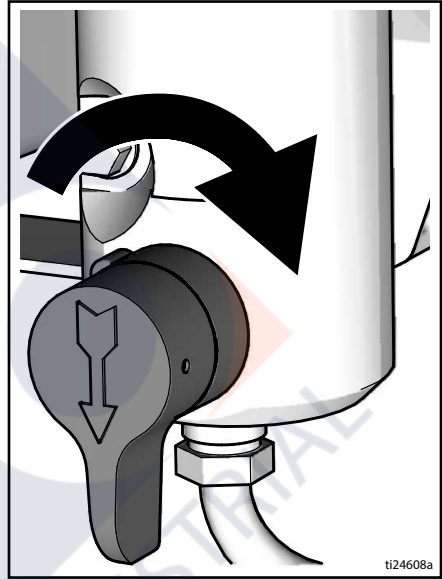
Do not place pail on a non-conductive surface such as paper or cardboard which interrupts grounding continuity.



3. Engage trigger lock.

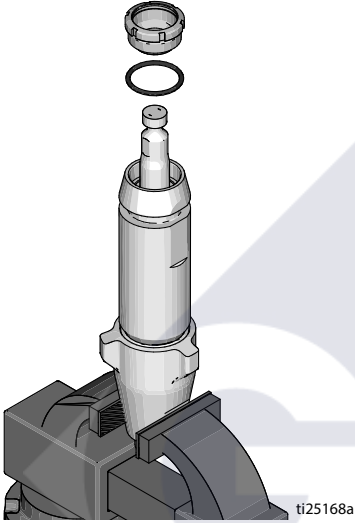


4. Open any fluid drain valves in system. Leave drain valves open until ready to spray again.

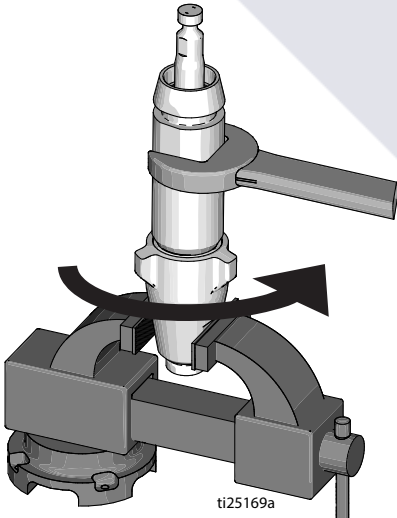


## Disassemble Pump

1. Remove packing nut and throat adjustment spacer.



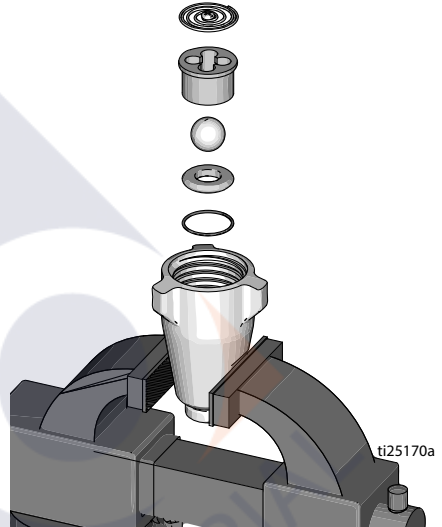
2. Unscrew cylinder from intake valve.



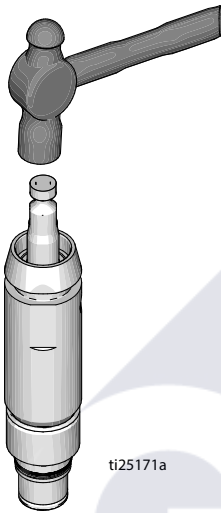
3. Disassemble intake valve. Clean and inspect. O-ring may require a pick for removal.

### NOTICE

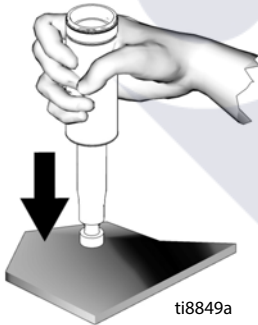
If using a pick to remove the O-ring use care to avoid damage to the machined surfaces.



4. Tap piston rod out of cylinder with a hammer or flip over and tap piston rod out against a bench.

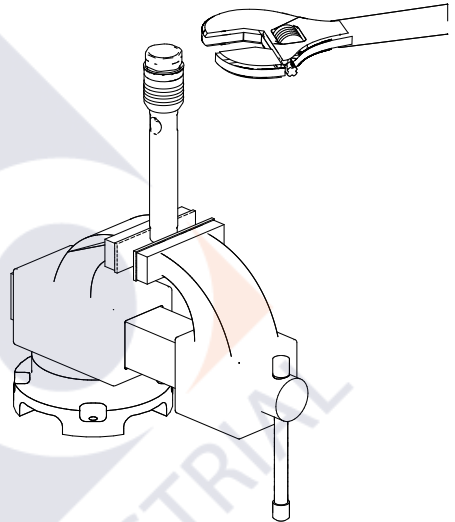


5. Remove piston rod from sleeve.



Do not clean or wipe the piston valve threads. Cleaning the piston valve threads could destroy the special sealing patch and cause the piston valve to come loose during operation, causing a pump burst and possible serious bodily injury.

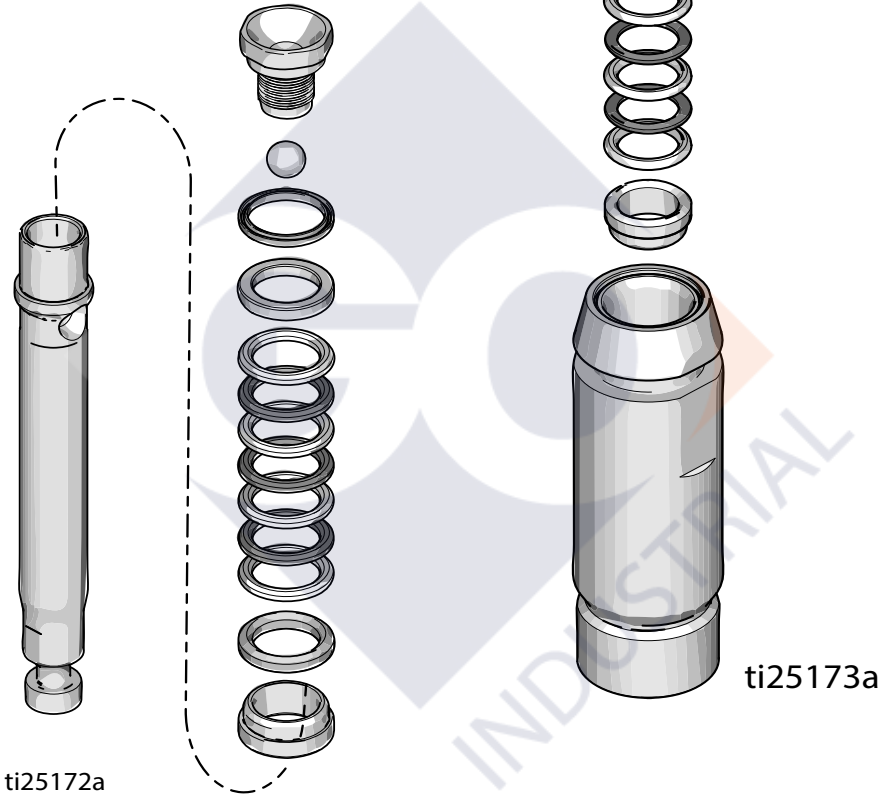
6. Unscrew piston valve from piston rod.



# Repair

7. Clean and inspect parts. (The piston has a special thread locking/sealing patch. Do not remove the patch. The patch allows for disassembly/assembly procedures before it is necessary to apply thread sealant to the threads. On fifth assembly apply thread sealant to threads.

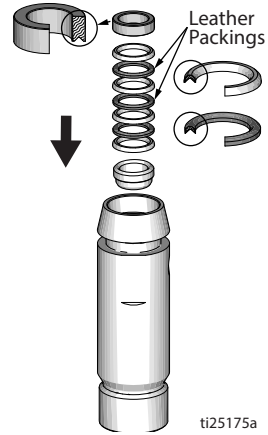
8. Remove and discard throat packing and glands from the cylinder.



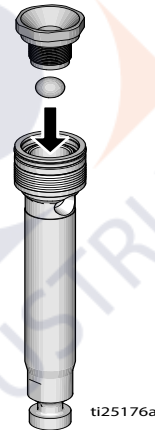
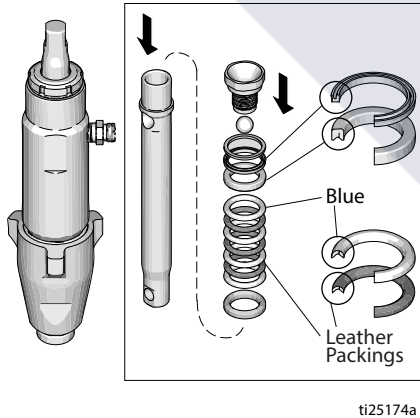
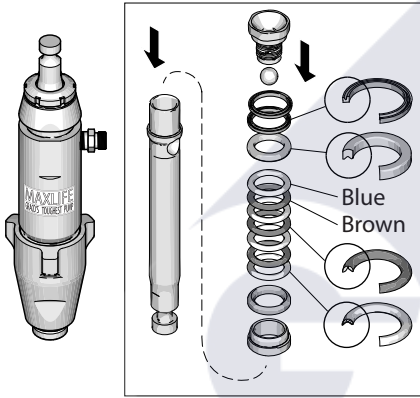


## Assemble Pump

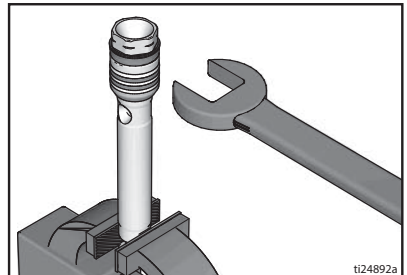
1. If applicable, soak leather packings in SAE 30W oil for one hour before assembly.



2. Install ball in piston rod. Apply thread sealant to piston valve threads; ensure that none gets on the ball.

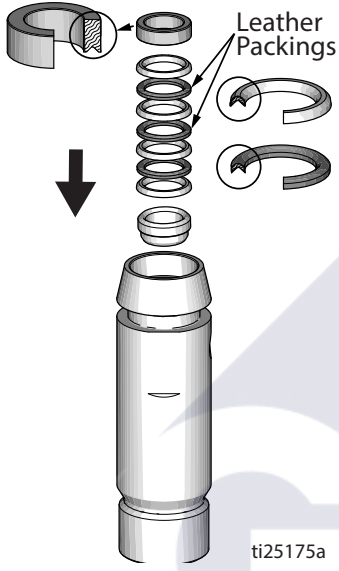


3. **GH130 model:** Torque to  $55 \pm 3$  ft-lb ( $75 \pm 4$  N•m). **All other GH models:** Torque to  $100 \pm 5$  ft-lb ( $135 \pm 7$  N•m).



# Repair

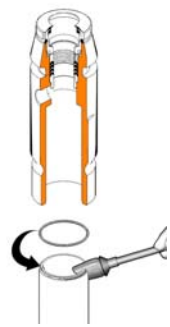
4. Assemble leather throat packings soaked earlier.



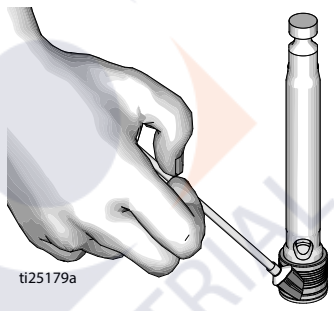
5. Loosely install packing nut with o-ring onto cylinder.



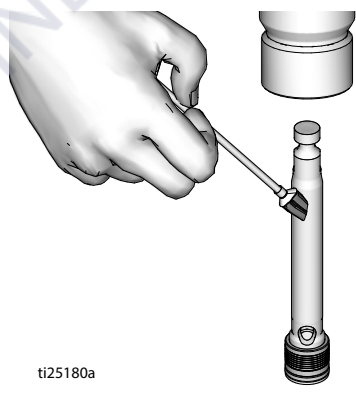
6. Install o-rings inside cylinder and on sleeve. Slide sleeve into bottom of cylinder. Replace o-ring if necessary.



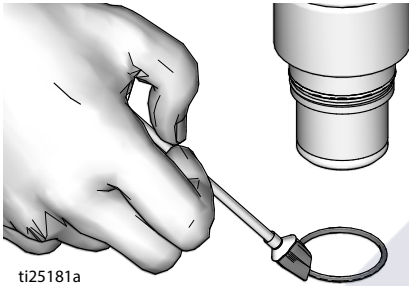
7. Apply liberal amounts of grease or oil to piston packings.



8. Grease top inch or two of piston rod that will go through the cylinder throat packings. Gently guide displacement rod up through throat packings. Tap bottom of piston valve as necessary with a leather or plastic hammer.

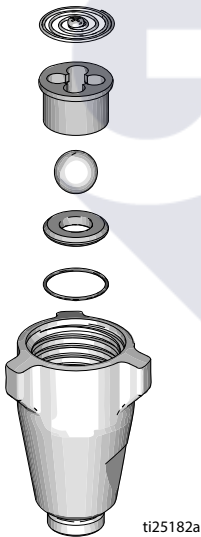


9. Grease o-ring and place on outside diameter ring groove.



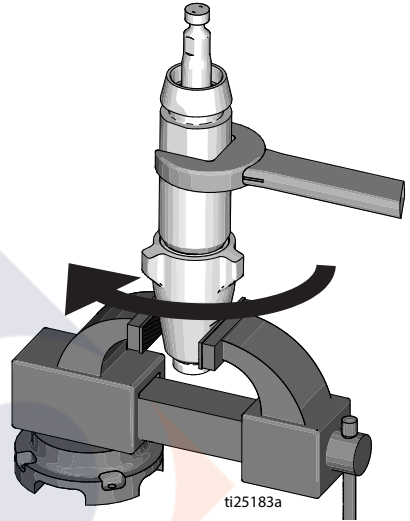
ti25181a

10. Clean seat thoroughly. Reassemble intake valve with a seat, ball, and new o-ring. Seat may be flipped over and used on other side.



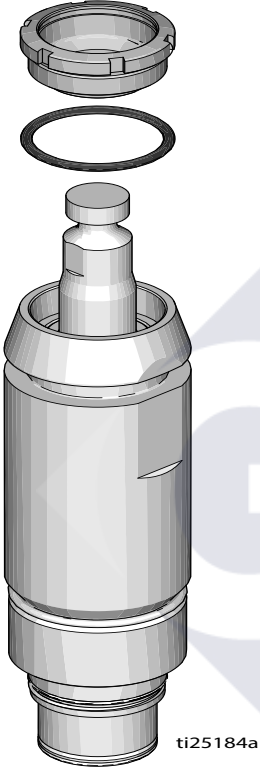
ti25182a

11. For GH130 torque foot valve to  $110 \pm 5$  ft-lb ( $149 \pm 7$  N•m). For GH200/230/300 torque foot valve to  $200 \pm 15$  ft-lb ( $271 \pm 20$  N•m).

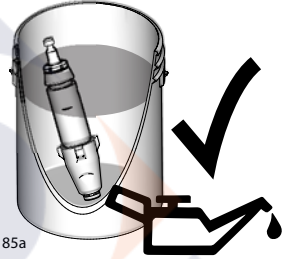


ti25183a

12. For GH130 torque packing nut to  $125 \pm 10$  in-lbs ( $14 \pm 1$  N•m). All other GH models torque packing nut to  $140 \pm 10$  in-lbs ( $16 \pm 1$  N•m).

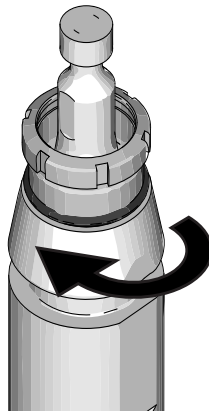


13. Storage



## Throat Packing Adjustment


When pump packings begin to leak after much use, perform **Pressure Relief Procedure**, page 4, and tighten packing nut down until leakage stops or lessens. This allows approximately 100 gallons of additional operation before a repacking is required. Packing nut can be tightened without o-ring removal.








## Parts

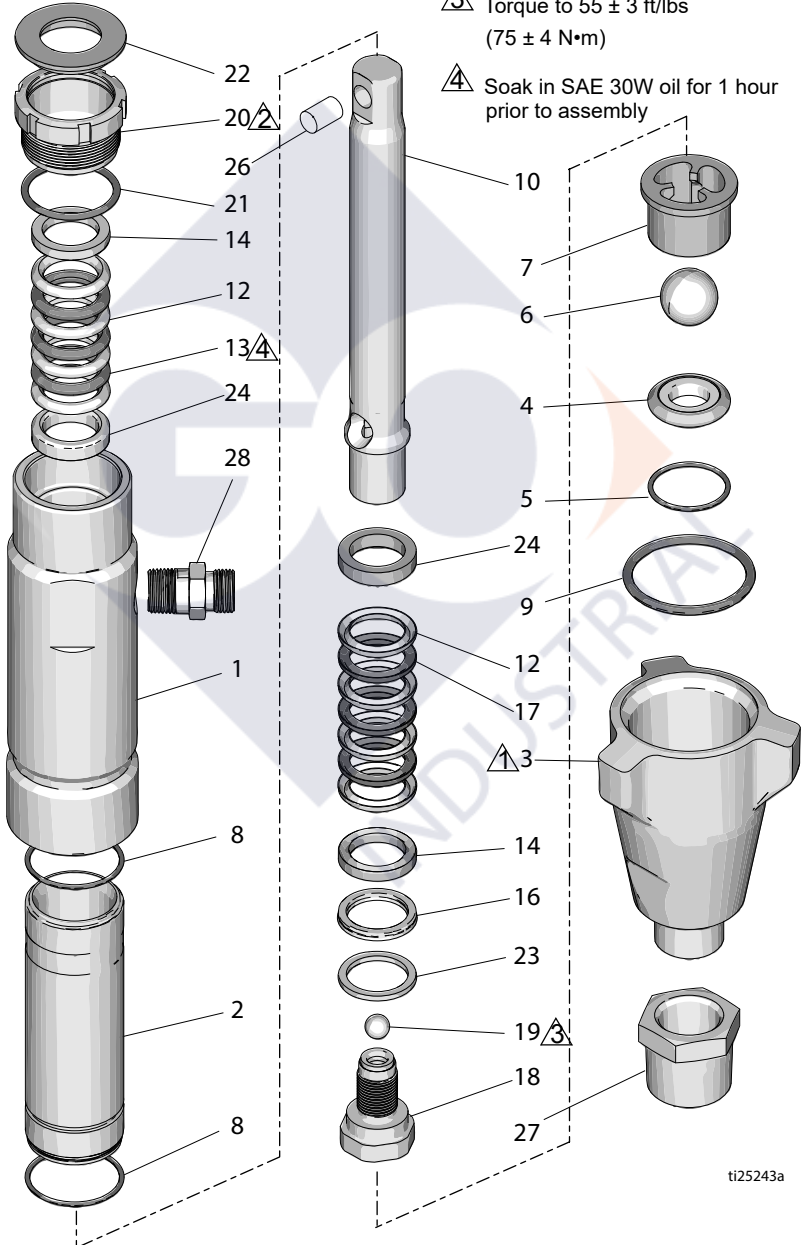
### Pump 24B748

 Torque to  $110 \pm 5$  ft/lbs  
( $149 \pm 5$  N•m)

 Torque to  $125 \pm 10$  in/lbs  
( $14 \pm 1$  N•m)

 Torque to  $55 \pm 3$  ft/lbs  
( $75 \pm 4$  N•m)

 Soak in SAE 30W oil for 1 hour  
prior to assembly



ti25243a

## Parts List

Ref.	Part	Description	Qty.
1	288727	CYLINDER, pump	1
2	248210	SLEEVE, cylinder, chrome	1
3	195894	HOUSING, intake	1
4+	196866	SEAT, carbide	1
5+	108526	PACKING, o-ring, ptfе	1
6+	102972	BALL, metallic	1
7	193027	GUIDE, ball	1
8*	107098	PACKING, o-ring	2
9*	156633	PACKING, o-ring	1
10	288479	ROD, piston	1
12*	193125	PACKING, vee	8
13*	15E329	PACKING, vee	3
14*	183185	GLAND, packing, female	2
16*	118504	WIPER, piston	1
17*	15J382	PACKING, vee	3
18*	24U983	VALVE, piston	1
19*	101947	BALL, bearing	1
20	193032	NUT, packing	1
21	C20987	PACKING, o-ring	1
22*	183171	PLUG	1
23*	15C998	WASHER, backup	1
24*	183178	GLAND, packing, male	2
26	15J141	PIN, pump	1
27	15Y463	FITTING, bushing	1
28	196178	ADAPTER, nipple	1

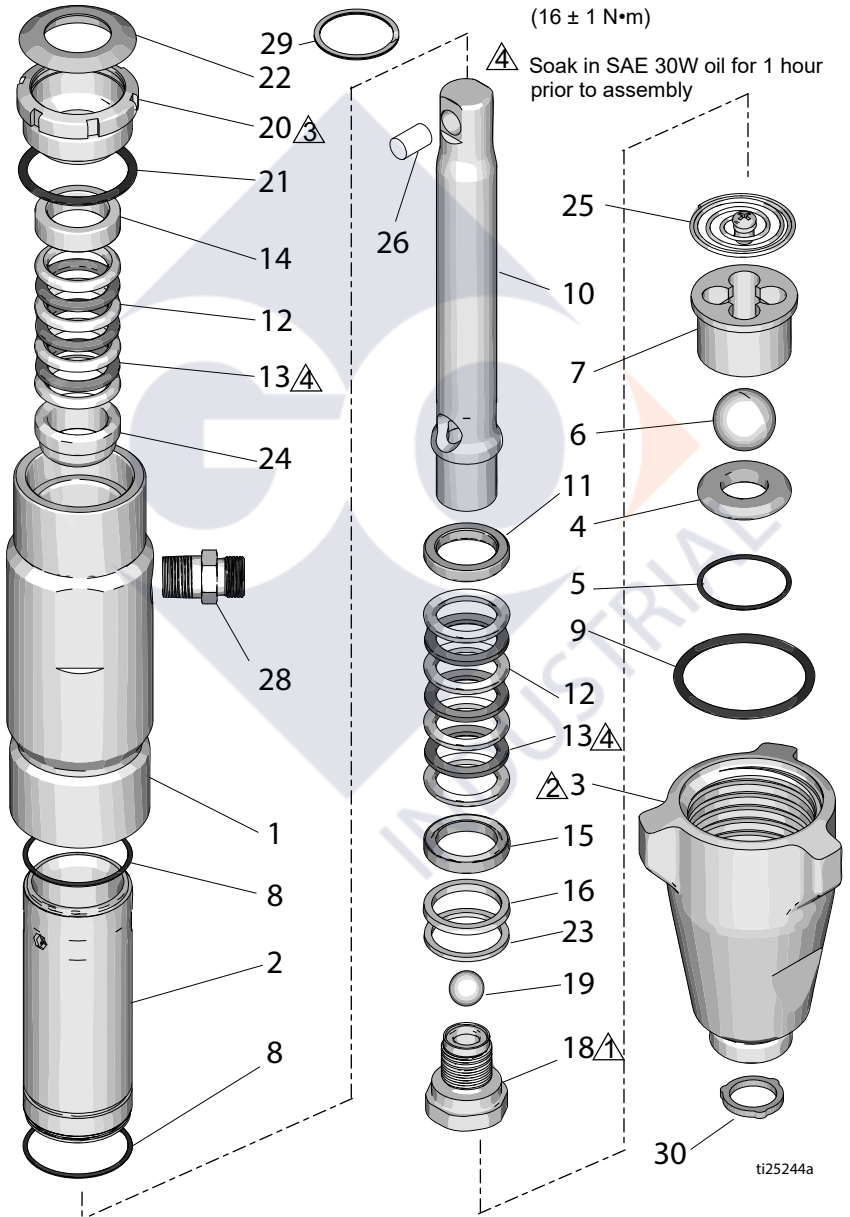
\* Included in Repair Kit 288471

+ Included in Repair Kit 244199

# Parts

## Parts

### Pump 24W995



ti25244a



## Parts List

Ref.	Part	Description	Qty.
1	245413	CYLINDER, pump	1
2			1
	248979	SLEEVE, cylinder, chrome	
	249121	SLEEVE, cylinder, MaxLife	
3	15E655	HOUSING, intake	1
4+	193395	SEAT, carbide	1
5*+	107098	PACKING, o-ring	1
6*+	107167	BALL, sst	1
7	198505	GUIDE, ball	1
8*	108822	PACKING, o-ring, ptfe	2
9*	160325	PACKING, o-ring	1
10			1
	249000	ROD, piston	
	249119	ROD, piston, MaxLife	
11*	189585	GLAND, packing, male	1
12*	198701	PACKING, vee	8
13*	198718	PACKING, vee	6
14*	15G657	GLAND, female	1
15*	198765	GLAND, packing, female	1
16*	119636	WIPER, piston	1
18	249177	VALVE, piston	1
19*	107203	BALL, valve, check	1
20	15J792	NUT, packing	1
21*	157195	PACKING, o-ring	1
22*	112590	PLUG, throat seal	1
23*	15J800	WASHER, back-up	1
24*	15G658	GLAND, male	1
25	245256	SPRING, intake ball	1
26	197443	PIN, pump	1
28	196178	ADAPTER, nipple	1
29	116551	RING, retaining	1
30	119566	WASHER	1

\* Included in Repair Kit 17D601

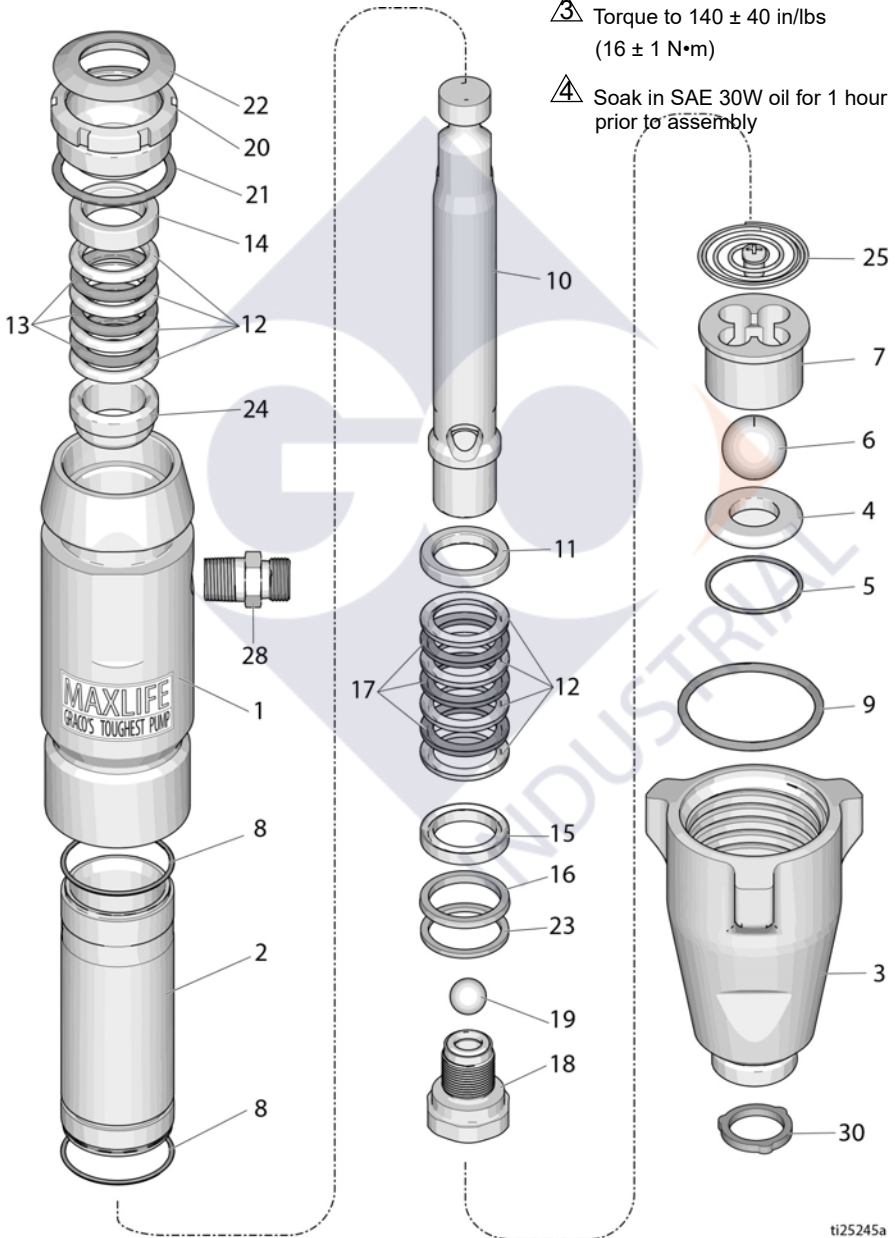
+ Included in Repair Kit 240918

# Parts

## Parts

### Pump 24W996

- ⚠ Torque to  $100 \pm 5$  ft/lbs  
( $136 \pm 5$  N•m)
- ⚠ Torque to  $200 \pm 15$  ft/lbs  
( $271 \pm 20$  N•m)
- ⚠ Torque to  $140 \pm 40$  in/lbs  
( $16 \pm 1$  N•m)
- ⚠ Soak in SAE 30W oil for 1 hour  
prior to assembly



ti25245a

## Parts List

Ref.	Part	Description	Qty.
1	17D122	CYLINDER, pump	1
2	249121	SLEEVE, cylinder	1
3	15E655	HOUSING, intake	1
4+	193395	SEAT, carbide	1
5*+	107098	PACKING, o-ring	1
6*+	107167	BALL, sst	1
7	198505	GUIDE, ball	1
8*	108822	PACKING, o-ring, ptfe	2
9*	160325	PACKING, o-ring	1
10	288469	ROD, piston	1
11*	189585	GLAND, packing, male	1
12*	198701	PACKING, vee	8
13*	198718	PACKING, vee	3
14*	15G657	GLAND, female	1
15*	198765	GLAND, packing, female	1
16*	119636	WIPER, piston	1
17*	15F875	PACKING, vee	3
18	287388	VALVE, piston	1
19*	107203	BALL, valve, check	1
20	15J792	NUT, packing	1
21*	157195	PACKING, o-ring	1
22*	112590	PLUG, throat seal	1
23*	15J800	WASHER, back-up	1
24*	15G658	GLAND, male	1
25	245256	SPRING, intake ball	1
28	15J413	FITTING, pump	1
30	119566	WASHER	1

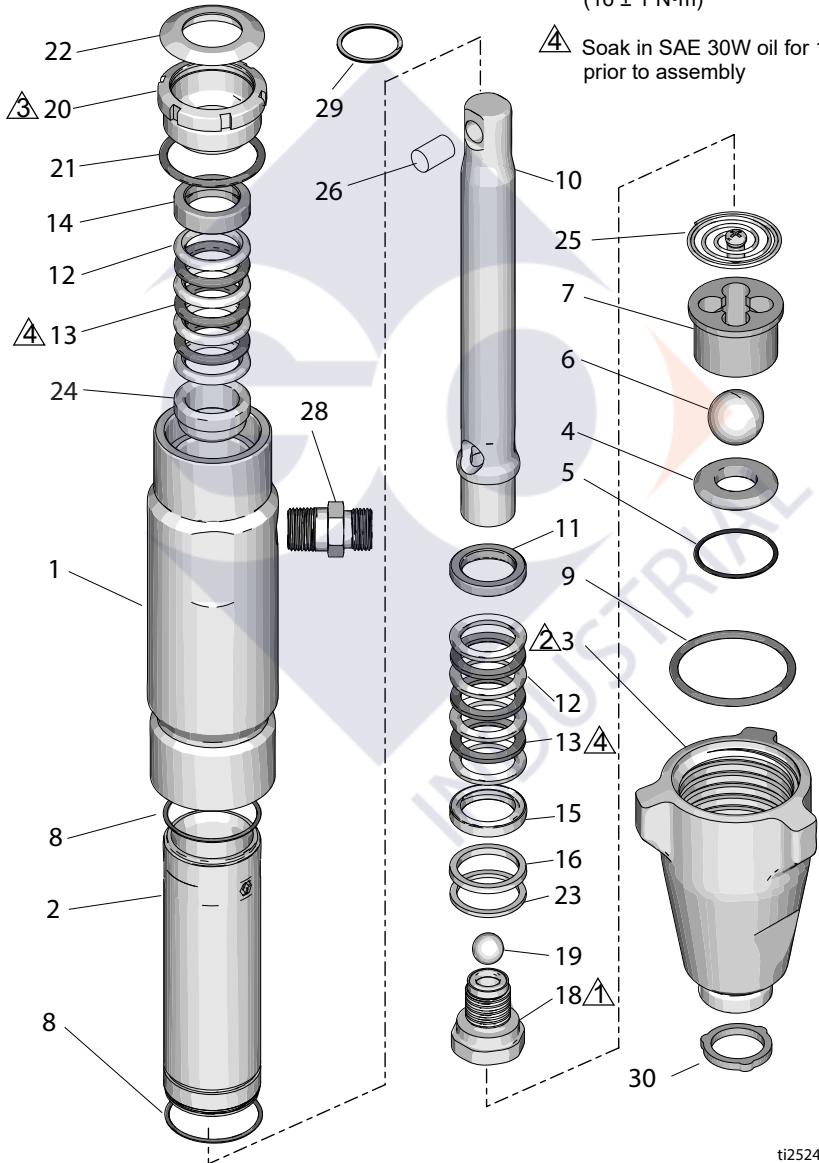
\* Included in Repair Kit 287813

+ Included in Repair Kit 240918

NOTE: For Chromex Pump Kit order 24X018

## Parts

### Pump 24W997



ti25246a

## Parts List

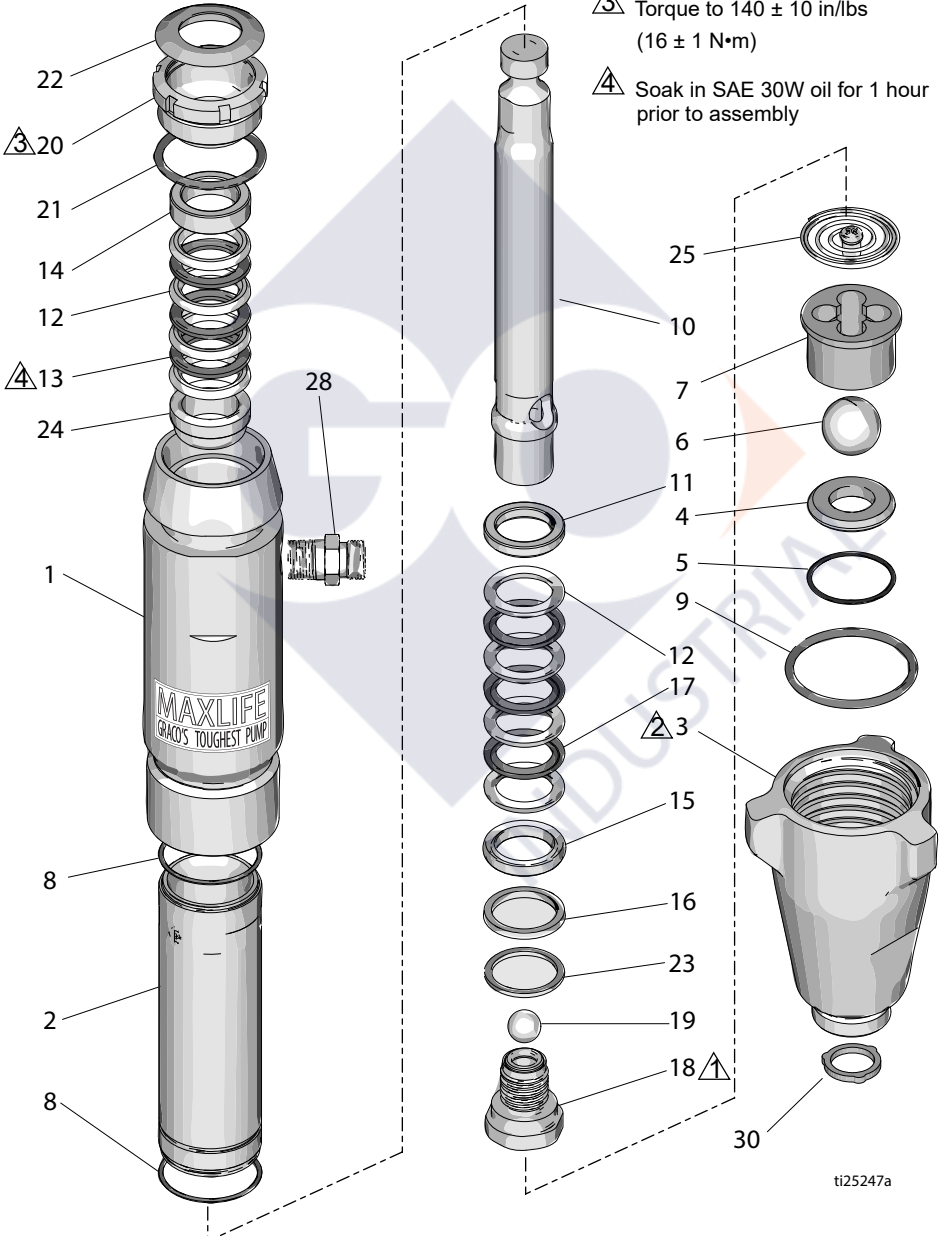
Ref.	Part	Description	Qty.
1	249532	CYLINDER, pump	1
2			1
	248980	SLEEVE, cylinder, chrome	
	287817	SLEEVE, cylinder, MaxLife	
3	15E655	HOUSING, intake	1
4+	193395	SEAT, carbide	1
5*+	107098	PACKING, o-ring	1
6*+	107167	BALL, sst	1
7	198505	GUIDE, ball	1
8*	108822	PACKING, o-ring, ptfe	2
9*	160325	PACKING, o-ring	1
10			1
	249001	ROD, piston	
	287816	ROD, piston, MaxLife	
11*	189585	GLAND, packing, male	1
12*	198701	PACKING, vee	8
13*	198718	PACKING, vee	6
14*	15G657	GLAND, female	1
15*	198765	GLAND, packing, female	1
16*	119636	WIPER, piston	1
18	240580	VALVE, piston	1
19*	107203	BALL, valve, check	1
20	15J792	NUT, packing	1
21*	157195	PACKING, o-ring	1
22*	112590	PLUG, throat seal	1
23*	15J800	WASHER, back-up	1
24*	15G658	GLAND, male	1
25	245256	SPRING, intake ball	1
26	197443	PIN, pump	1
28	196178	ADAPTER, nipple	1
29	116551	RING, retaining	1
30	119566	WASHER	1

\* Included in Repair Kit 17D601

+ Included in Repair Kit 240918

## Parts

### Pump 24W998



⚠ Torque to  $100 \pm 5$  ft/lbs  
( $136 \pm 5$  N•m)

⚠ Torque to  $200 \pm 15$  ft/lbs  
( $271 \pm 20$  N•m)

⚠ Torque to  $140 \pm 10$  in/lbs  
( $16 \pm 1$  N•m)

⚠ Soak in SAE 30W oil for 1 hour  
prior to assembly

ti25247a

## Parts List

Ref.	Part	Description	Qty.
1	17D123	CYLINDER, pump	1
2	287817	SLEEVE, cylinder, chrome	1
3	15E655	HOUSING, intake	1
4+	193395	SEAT, carbide	1
5*+	107098	PACKING, o-ring	1
6*+	107167	BALL, sst	1
7	198505	GUIDE, ball	1
8*	108822	PACKING, o-ring, ptfе	2
9*	160325	PACKING, o-ring	1
10	288470	ROD, piston	1
11*	189585	GLAND, packing, male	1
12*	198701	PACKING, vee	8
13*	198718	PACKING, vee	3
14*	15G657	GLAND, female	1
15*	198765	GLAND, packing, female	1
16*	119636	WIPER, piston	1
17*	15F875	PACKING, vee	3
18	287388	VALVE, piston	1
19*	107203	BALL, valve, check	1
20	15J792	NUT, packing	1
21*	157195	PACKING, o-ring	1
22*	112590	PLUG, throat seal	1
23*	15J800	WASHER, back-up	1
24*	15G658	GLAND, male	1
25	245256	SPRING, intake ball	1
28	15J413	FITTING, pump	1
30	119566	WASHER	1





\* Included in Repair Kit 287813

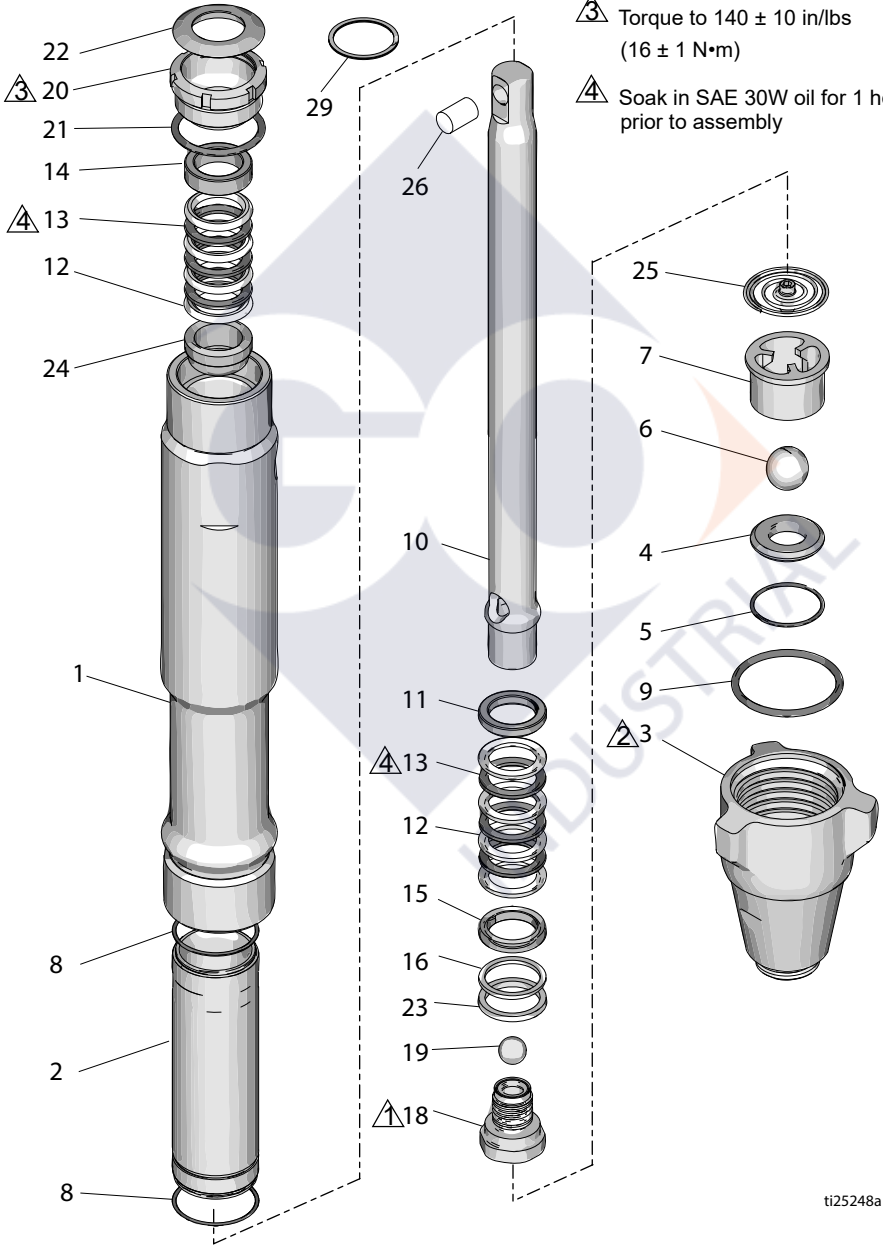
+ Included in Repair Kit 240918

NOTE: For Chromex Pump Replacement Kit  
order 24X019

## Parts

### Pump 24W999

-  Torque to  $100 \pm 5$  ft/lbs  
( $136 \pm 5$  N•m)
-  Torque to  $200 \pm 15$  ft/lbs  
( $271 \pm 20$  N•m)
-  Torque to  $140 \pm 10$  in/lbs  
( $16 \pm 1$  N•m)
-  Soak in SAE 30W oil for 1 hour  
prior to assembly



ti25248a



## Parts List

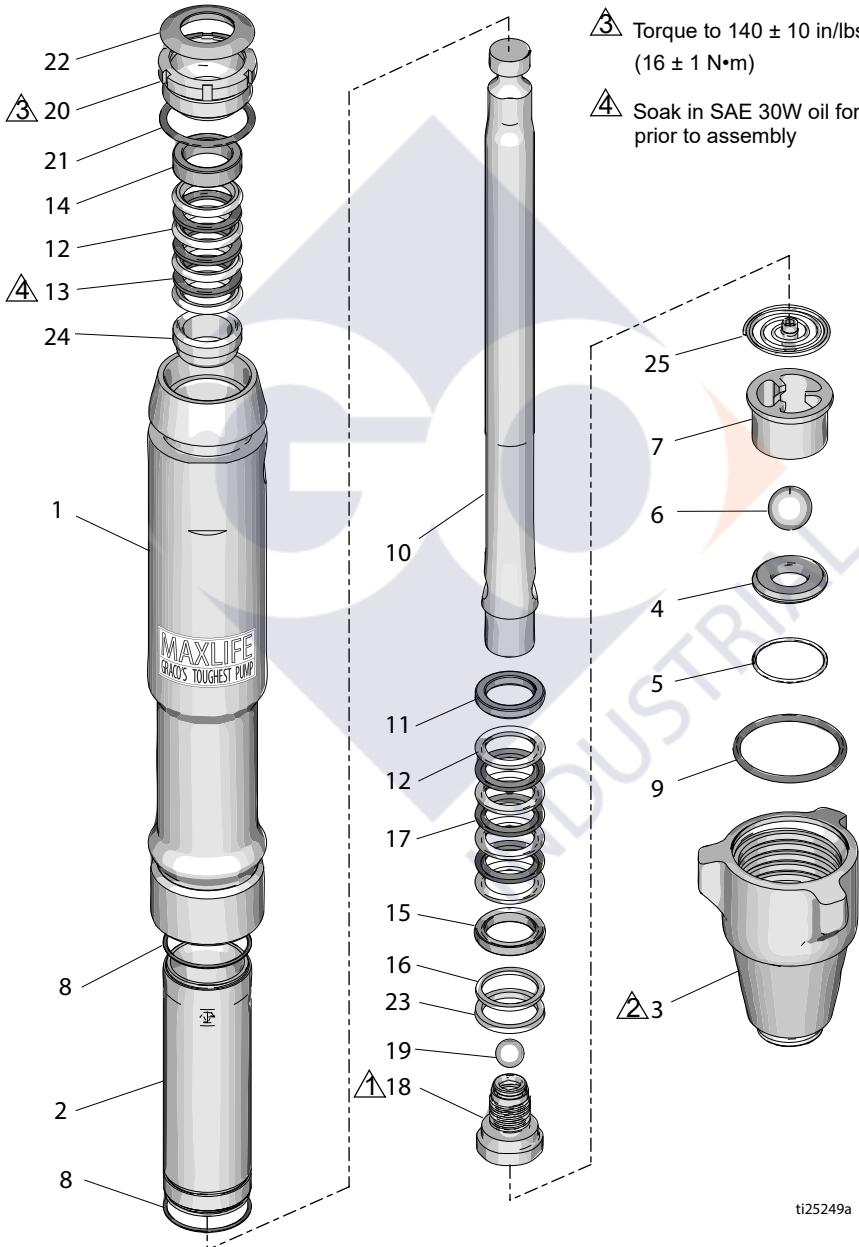
Ref.	Part	Description	Qty.
1	17D124	CYLINDER, pump	1
2			1
	248980	SLEEVE, cylinder, chrome	
	287817	SLEEVE, cylinder, MaxLife	
3	15A303	HOUSING, intake	1
4+	15J038	SEAT, carbide	1
5*+	107098	PACKING, o-ring	1
6*+	118602	BALL, ceramic	1
7	193391	GUIDE, ball	1
8*	108822	PACKING, o-ring, ptfe	2
9*	160325	PACKING, o-ring	1
10	17D121	ROD, piston	1
11*	189585	GLAND, packing, male	1
12*	198701	PACKING, vee	8
13*	198718	PACKING, vee	6
14*	15G657	GLAND, female	1
15*	198765	GLAND, packing, female	1
16*	119636	WIPER, piston	1
18	287388	VALVE, piston	1
19*	118601	BALL, ceramic	1
20	15J792	NUT, packing	1
21*	157195	PACKING, o-ring	1
22*	112590	PLUG, throat seal	1
23*	15F183	WASHER, back-up	1
24*	15G658	GLAND, male	1
25+	24E027	SPRING, intake ball	1
26	197443	PIN, pump	1
29	116551	RING, retaining	1

\* Included in Repair Kit 24N012

+ Included in Repair Kit 24N013

## Parts

### Pump 24X001



⚠ Torque to  $100 \pm 5$  ft/lbs  
( $136 \pm 5$  N•m)

⚠ Torque to  $200 \pm 10$  ft/lbs  
( $271 \pm 20$  N•m)

⚠ Torque to  $140 \pm 10$  in/lbs  
( $16 \pm 1$  N•m)

⚠ Soak in SAE 30W oil for 1 hour  
prior to assembly

ti25249a

## Parts List

Ref.	Part	Description	Qty.
1	17D125	CYLINDER, pump	1
2	287817	SLEEVE, cylinder	1
3	15A303	HOUSING, intake	1
4+	15J038	SEAT, carbide	1
5*+	107098	PACKING, o-ring	1
6*+	118602	BALL, ceramic	1
7	193391	GUIDE, ball	8
8*	108822	PACKING, o-ring, ptfe	2
9*	160325	PACKING, o-ring	1
10	288821	ROD, piston	1
11*	189585	GLAND, packing, male	1
12*	198701	PACKING, vee	8
13*	198718	PACKING, vee	3
14*	15G657	GLAND, female	1
15*	198765	GLAND, packing, female	1
16*	119636	WIPER, piston	1
17*	15F875	PACKING, vee	3
18	287388	VALVE, piston	1
19*	118601	BALL, ceramic	1
20	15J792	NUT, packing	1
21*	157195	PACKING, o-ring	1
22*	112590	PLUG, throat seal	1
23*	15F183	WASHER, back-up	1
24*	15G658	GLAND, male	1
25+	24E027	SPRING, intake ball	1

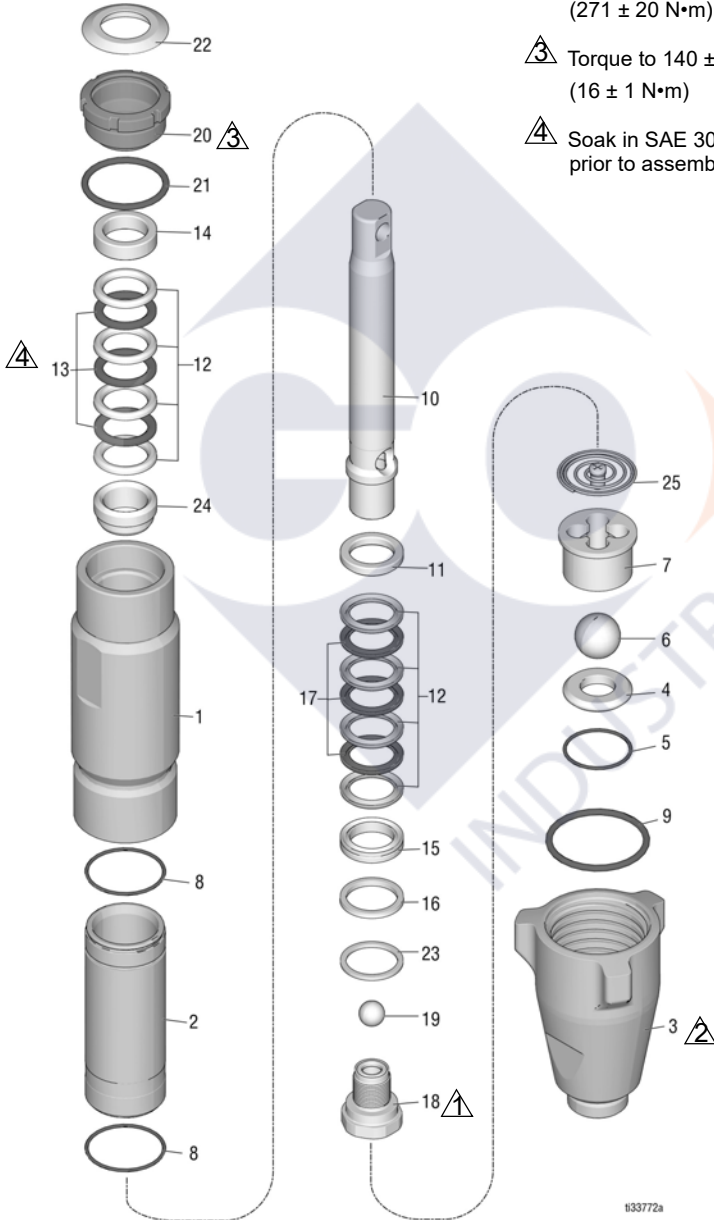
\* Included in Repair Kit 24X096


+ Included in Repair Kit 24N013


INDUSTRIAL


## Parts


### Pump 26C191



 Torque to  $100 \pm 5$  ft/lbs  
( $136 \pm 5$  N•m)

 Torque to  $200 \pm 10$  ft/lbs  
( $271 \pm 20$  N•m)

 Torque to  $140 \pm 10$  in/lbs  
( $16 \pm 1$  N•m)

 Soak in SAE 30W oil for 1 hour  
prior to assembly

1133772a

## Parts List

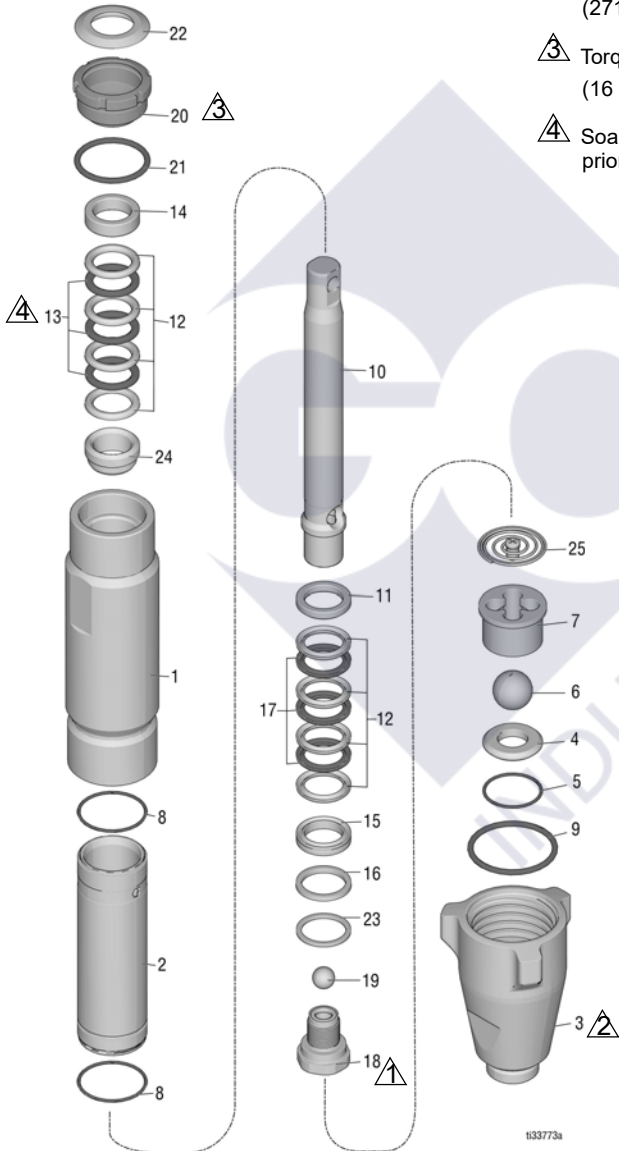
Ref.	Part	Description	Qty.
1	17W325	CYLINDER, pump	1
2	249121	SLEEVE, cylinder	1
3	15E655	HOUSING, intake	1
4+	193395	SEAT, carbide	1
5*+	107098	PACKING, o-ring	1
6*+	107167	BALL, sst	1
7	198505	GUIDE, ball	1
8*	108822	PACKING, o-ring, ptfe	2
9*	160325	PACKING, o-ring	1
10	249119	ROD, piston	1
11*	189585	GLAND, packing, male	1
12*	198701	PACKING, vee	8
13*	198718	PACKING, vee	3
14*	15G657	GLAND, female	1
15*	198765	GLAND, packing, female	1
16*	119636	WIPER, piston	1
17*	15F875	PACKING, vee	3
18	287388	VALVE, piston	1
19*	107203	BALL, valve, check	1
20	15J792	NUT, packing	1
21*	157195	PACKING, o-ring	1
22*	112590	PLUG, throat seal	1
23*	15J800	WASHER, back-up	1
24*	15G658	GLAND, male	1
25	245256	SPRING, intake ball	1
28	15J413	FITTING, pump	1
30	119566	WASHER	1

\* Included in Repair Kit 287813

+ Included in Repair Kit 240918

## Parts

### Pump 26C190



1 Torque to  $100 \pm 5$  ft/lbs  
( $136 \pm 5$  N•m)

2 Torque to  $200 \pm 10$  ft/lbs  
( $271 \pm 20$  N•m)

3 Torque to  $140 \pm 10$  in/lbs  
( $16 \pm 1$  N•m)

4 Soak in SAE 30W oil for 1 hour  
prior to assembly

133773a

## Parts List

Ref.	Part	Description	Qty.
1	17W326	CYLINDER, pump	1
2	287817	SLEEVE, cylinder	1
3	15E655	HOUSING, intake	1
4+	193395	SEAT, carbide	1
5*+	107098	PACKING, o-ring	1
6*+	107167	BALL, sst	1
7	198505	GUIDE, ball	1
8*	108822	PACKING, o-ring, ptfe	2
9*	160325	PACKING, o-ring	1
10	287816	ROD, piston	1
11*	189585	GLAND, packing, male	1
12*	198701	PACKING, vee	8
13*	198718	PACKING, vee	3
14*	15G657	GLAND, female	1
15*	198765	GLAND, packing, female	1
16*	119636	WIPER, piston	1
17*	15F875	PACKING, vee	3
18	287388	VALVE, piston	1
19*	107203	BALL, valve, check	1
20	15J792	NUT, packing	1
21*	157195	PACKING, o-ring	1
22*	112590	PLUG, throat seal	1
23*	15J800	WASHER, back-up	1
24*	15G658	GLAND, male	1
25	245256	SPRING, intake ball	1
28	15J413	FITTING, pump	1
30	119566	WASHER	1

\* Included in Repair Kit 287813

+ Included in Repair Kit 240918

# Technical Specifications

## Technical Specifications

Displacement Pumps	
Maximum fluid working pressure	3300 psi 25 bar, 22.8 MPa
Inlet/Outlet Sizes	
Fluid inlet size	1-5/16 UN (m) models 24W995, 24W996, 24W997, 24W998, 26C190, 26C191
	1-11 1/2 NPSM (M) models 24W999, 24X001
	3/4-14 npt (m) model 24B748
Fluid outlet size	3/8 npt (f)
Wetted materials on all models	stainless steel, PTFE, leather, nylon, zinc-plated carbon steel, tungsten carbide, brass, fluorelastomer, acetal, polyethylene, ceramic





## Graco Standard Warranty

Graco warrants all equipment referenced in this document which is manufactured by Graco and bearing its name to be free from defects in material and workmanship on the date of sale to the original purchaser for use. With the exception of any special, extended, or limited warranty published by Graco, Graco will, for a period of twelve months from the date of sale, repair or replace any part of the equipment determined by Graco to be defective. This warranty applies only when the equipment is installed, operated and maintained in accordance with Graco's written recommendations.

This warranty does not cover, and Graco shall not be liable for general wear and tear, or any malfunction, damage or wear caused by faulty installation, misapplication, abrasion, corrosion, inadequate or improper maintenance, negligence, accident, tampering, or substitution of non-Graco component parts. Nor shall Graco be liable for malfunction, damage or wear caused by the incompatibility of Graco equipment with structures, accessories, equipment or materials not supplied by Graco, or the improper design, manufacture, installation, operation or maintenance of structures, accessories, equipment or materials not supplied by Graco.

This warranty is conditioned upon the prepaid return of the equipment claimed to be defective to an authorized Graco distributor for verification of the claimed defect. If the claimed defect is verified, Graco will repair or replace free of charge any defective parts. The equipment will be returned to the original purchaser transportation prepaid. If inspection of the equipment does not disclose any defect in material or workmanship, repairs will be made at a reasonable charge, which charges may include the costs of parts, labor, and transportation.

**THIS WARRANTY IS EXCLUSIVE, AND IS IN LIEU OF ANY OTHER WARRANTIES, EXPRESS OR IMPLIED, INCLUDING BUT NOT LIMITED TO WARRANTY OF MERCHANTABILITY OR WARRANTY OF FITNESS FOR A PARTICULAR PURPOSE.**

Graco's sole obligation and buyer's sole remedy for any breach of warranty shall be as set forth above. The buyer agrees that no other remedy (including, but not limited to, incidental or consequential damages for lost profits, lost sales, injury to person or property, or any other incidental or consequential loss) shall be available. Any action for breach of warranty must be brought within two (2) years of the date of sale.

**GRACO MAKES NO WARRANTY, AND DISCLAIMS ALL IMPLIED WARRANTIES OF MERCHANTABILITY AND FITNESS FOR A PARTICULAR PURPOSE, IN CONNECTION WITH ACCESSORIES, EQUIPMENT, MATERIALS OR COMPONENTS SOLD BUT NOT MANUFACTURED BY GRACO.** These items sold, but not manufactured by Graco (such as electric motors, switches, hose, etc.), are subject to the warranty, if any, of their manufacturer. Graco will provide purchaser with reasonable assistance in making any claim for breach of these warranties.

In no event will Graco be liable for indirect, incidental, special or consequential damages resulting from Graco supplying equipment hereunder, or the furnishing, performance, or use of any products or other goods sold hereto, whether due to a breach of contract, breach of warranty, the negligence of Graco, or otherwise.

# Graco Information

For the latest information about Graco products, visit [www.graco.com](http://www.graco.com).

For patent information, see [www.graco.com/patents](http://www.graco.com/patents).

**TO PLACE AN ORDER**, contact your Graco distributor or call 1-800-690-2894 to identify the nearest distributor.



*All written and visual data contained in this document reflects the latest product information available at the time of publication.*

*Graco reserves the right to make changes at any time without notice.*

Original instructions. This manual contains English. MM 334654

**Graco Headquarters:** Minneapolis  
**International Offices:** Belgium, China, Japan, Korea

**GRACO INC. AND SUBSIDIARIES • P.O. BOX 1441 • MINNEAPOLIS MN 55440-1441 • USA**

**Copyright 2014, Graco Inc. All Graco manufacturing locations are registered to ISO 9001.**

[www.graco.com](http://www.graco.com)  
Revision D, November 2018