

# INSTRUCTION MANUAL

---

## AIR / WATER RETRACTABLE HOSE REEL

---

Model L-AWP1015



## AIR / WATER RETRACTABLE HOSE REEL

### DESCRIPTION

Thank you for purchasing a Lubemate hose reel. Each reel is a quality UV Stabilised reel, supplied complete with a delivery hose, feeder hose and mounting bracket.

### FEATURES AND BENIFITS

1. The hose reel is UV stabilised.
2. The reel is easy to use positive latch and a built in hose layering mechanism to prevent hose bunching.
3. Durable construction, made from high quality impact resistant polypropylene, light in weight and more compact.
4. A powerful spring winds the hose back into the drum.

### CAUTION

#### GENERAL SAFETY

Please read these operating instructions carefully and note the information given. Use these operating instructions to familiarize yourself with the product, the proper use and the safety instructions.

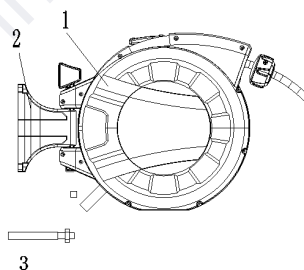


- \* To prevent injury or damage do not let go of the hose during rewinding.
- \* Hold the hose stop ball when retracting hose.
- \* **Do not** disassemble hose reel.
- \* Ensure the reel or hose is not in contact with any sharp objects or exposed to high temperatures.
- \* **Do not** drop this reel or damage will occur.
- \* **Do Not** use this product with any chemicals or liquid other than water.
- \* Turn off air/water supply after use or at the end of the day.

### Installation:

1. Take out the unit and accessories from the box.
2. Choose a suitable place near source of air/water.
3. Take the mounting bracket as a template to mark the position for screws and drill four holes on the wall( Fig.2)

1	Hose reel	1
2	Mounting bracket	1
3	Self-tapping bolts	4



4. Fix the bracket by four self-taping screws accordingly, (Fig.1)

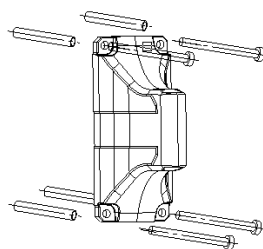


Fig.1

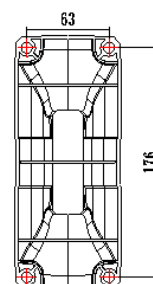


Fig.2

## AIR / WATER RETRACTABLE HOSE REEL

5. Connect the reel to the mounting bracket.

**Note:**

1. The reel should be installed horizontally to a wall or post.
2. It is recommended to mount the reel approximately 1 meter above the ground.

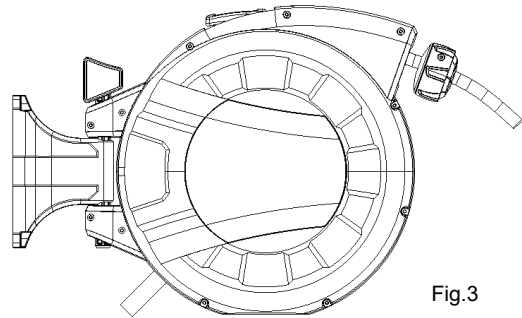


Fig.3

### Operation

1. Connect feeder hose and turn on supply
2. Pull out hose to desired length and stop.

### Retract hose

1. Always hold hose when retracting back into reel
2. Turn off the air/water supply.

### Storage Cleaning

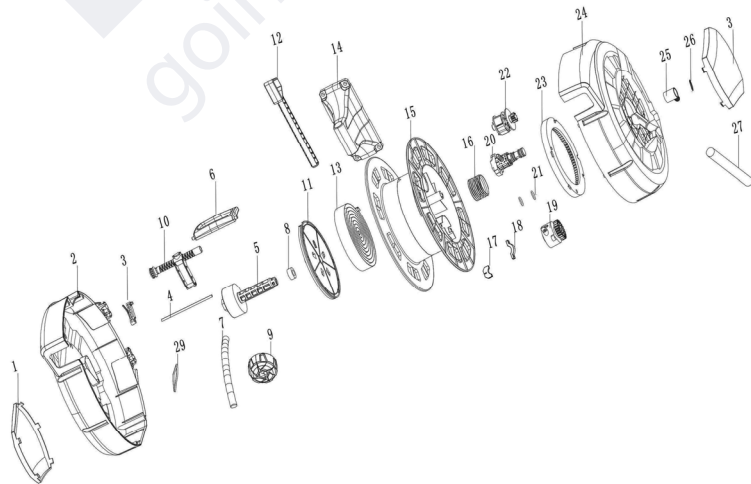
This Reel is maintenance-free and must not be cleaned internally with water.

### Maintenance

When not in use, turn off supply, and release the line pressure  
 The reel must not be used to transmit any chemical and substance  
 When not in use for an extended period of time it is recommended to be stored in a cool dry place.

Item	Description	Material	no off
29	Synchronous belt	PU	1
28	Right Cover	PP	1
27	Lead hose	Hybrid	1
26	Small Spring	Spring Steel	1
25	Inlet	Brass	1
24	Right Casing	PP	1
23	Tooth Wheel	PA	1
22	Slow return mechanism	PA6+GF30	1
21	O-Ring	NBR	2
20	Outlet	Aluminium	1
19	Lock System	PA	1
18	Fix Piece	PP	1
17	Sleeve	ABS	1
16	Inner Hexagon Screw	Q235	1
15	Drum	PP+GF30	1
14	Mounting Bracket	PP+GF30	1
13	Spring	Spring Steel	1
12	Mounting Pin	PA66+GF30	1
11	Lock Plate	PP+GF30	1
10	Hose guide system	PA+POM	1
9	Hose Stop	PP	1
8	Pre-loading Cap	PA6+GF30	1
7	Output Hose	Hybrid	1
6	Handle	PP	1
5	Pre-loading Wheel	PA66+GF30	1
4	Guide Pole	Stainless Steel	1
3	Lock Piece	POM	1
2	Left Casing	PP	1
1	Left Cover	PP	1

### EXPLODED DIAGRAM



**Note: no spare parts available**

## AIR / WATER RETRACTABLE HOSE REEL

### TROUBLESHOOTING

FAULT	DESCRIPTION	SOLUTION
The hose does not retract	Hose has been pulled out too far and locked	Access the drum through the window and carefully rotate the drum half a turn in the direction of the hose being pulled out to release latch.
	Not enough spring tension	Add 1-2 turns extra turns: 1. Remove the small cover, 2. Use spanner to clamp the groove of preload wheel, 3. Unscrew four bolts on the wheel, then rotate it for 1-2 turns in counterclockwise, then fasten the bolts, and replace the cover.Fig.4

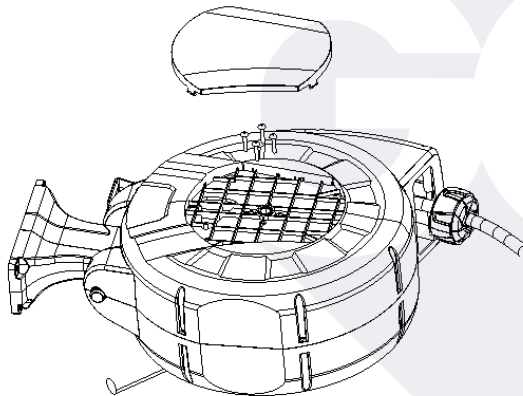


Fig.4

### SPECIFICATIONS - L-AWP1015

Maximum Pressure	300psi/20bar
Maximum Temperature	+ 55 deg C
Hose type	Hybrid Polymer
Hose Size and Length	3/8" (10mm) x 15m (50ft)
Inlet / Outlet	1/4" BSPT (M)
Dimensions	42.5 x 20.4 x 39.5cm
Weight	5.5kg

For warranty terms and conditions refer to  
[www.macnaught.com.au](http://www.macnaught.com.au)