

Owners Installation, Operation, and Safety Manual



FILL-RITE.

Series 700

Fuel Transfer Pump

Series 700V – 115 and 230 VOLT AC

Models FR700V, FR701V, FR710V, & FR711V

Table of Contents

Table of Contents.....	2
Thank You!.....	2
About This Manual	2
Safety Information.....	3
Installation.....	3
Anti-Siphon Device	7
Electrical Wiring	8
Wiring Procedure	8
Operating Instructions.....	9
Pad Locking	9
Trouble Shooting.....	9
Accessories.....	11
Safety Testing Approvals	11
Replacement Parts Information.....	12
FR700V / FR701V / FR710V / FR711V Parts List.....	12
Tuthill Product Warranty	14
Fluid Compatibility.....	14
Technical Information / Specifications.....	15
700E Model Information	16




Thank You!

Thank you for your purchase of the Fill-Rite 700V series pump! Your Fill-Rite product comes with over 80 years of pump manufacturing experience behind it, providing you the value that comes with superior performance, user friendly design, long service life, and solid, simple engineering. Experience that gives you peace of mind.

Rest Easy – It’s Tuthill!

About This Manual

From initial concept and design through its final production, your Fill-Rite pump is built to give you years of trouble free use. To insure it provides that service, **it is critical that you read this entire manual prior to attempting to install or operate your new pump.** Become familiar with the terms and diagrams, and pay close attention to the highlighted areas with the following labels:

- 
WARNING! Emphasizes an area in which personal injury or even death could result from failure to follow instructions properly. Mechanical damage may also occur.
- 
IMPORTANT! These boxes contain information that illustrates a point that may save time or may be key to proper operation, or clarifies a step.
- 
CAUTION! Failure to observe a “Caution” can cause damage to the equipment.

At Tuthill, your satisfaction with our products is paramount to us. If you have questions or need assistance with your product, please contact us at 1-800-634-2695 (M-F 8 AM–5 PM ET).

Safety Information



WARNING! Electrical wiring should be performed **ONLY** by a licensed electrician in compliance with local, state, and national electrical code NEC/ANSI/NFPA 70, NFPA30, and NFPA 30A, as appropriate to the intended use of the pump. Threaded rigid conduit, sealed fittings, and conductor seal should be used. The pump must be properly grounded. Improper installation or use of this pump can result in serious bodily injury, or death!



WARNING! To insure safe and proper operation of your equipment, it is critical to read and adhere to all of the following safety warnings and precautions. Improper installation or use of this product can cause serious bodily injury or death!

- 14) **NEVER** smoke near the pump, or use the pump near open flames when pumping a flammable liquid! Fire can result!
- 15) A “Fill-Rite” Filter should be used on the pump outlet to insure no foreign material is transferred to the fuel tank.
- 16) Threaded pipe joints and connections should be sealed with the appropriate sealant or sealant tape to minimize the possibility of leaks.
- 17) Storage tanks should be securely anchored to prevent shifting or tipping when full or empty.
- 18) To minimize static electricity build up, use only static wire conductive hose when pumping flammable fluids, and keep the fill nozzle in contact with the container being filled during the filling process.
- 19) The pump motor is equipped with thermal overload protection; if overheated, the motor will shut off to prevent damage to the windings. If this happens, **TURN THE PUMP OFF!** When the motor cools, it will restart without warning if the power is on.



WARNING! This product should not be used to transfer fluids into any type of aircraft.



WARNING! This product is not suited for use with fluids intended for human consumption or fluids containing water.

Installation

The Fill-Rite Series 700V pump is designed to offer several different mounting configurations. It can be mounted on a skid tank using the tank adapter supplied with the pump (see attached diagrams), direct mounted to the top of an underground tank, or mounted on a concrete island using an optional pedestal adapter (available through your Fill-Rite distributor). Regardless of mounting style, all tanks must be properly vented, and skid tank installations should employ an anti-siphon device.

The 700V series pump has a built in check valve to reduce unsafe excess pressure from thermal expansion of the fluid. It also features an integral bypass valve to help minimize wear when the pump is operating with the nozzle closed.



WARNING! In “Skid Tank” applications, be sure the tank is properly secured so it cannot shift or move when the tank is empty or full.



CAUTION! Do not use additional check valves or foot valves unless they have a proper pressure relief valve built into them. Note that additional check valves will reduce rate of flow.



CAUTION! A pressure retaining fill cap can be used to reduce fuel loss through evaporation, but note that it will reduce the flow rate.



CAUTION! Threaded pipe joints and connections should be sealed with the appropriate sealant or sealant tape to minimize the possibility of leaks.

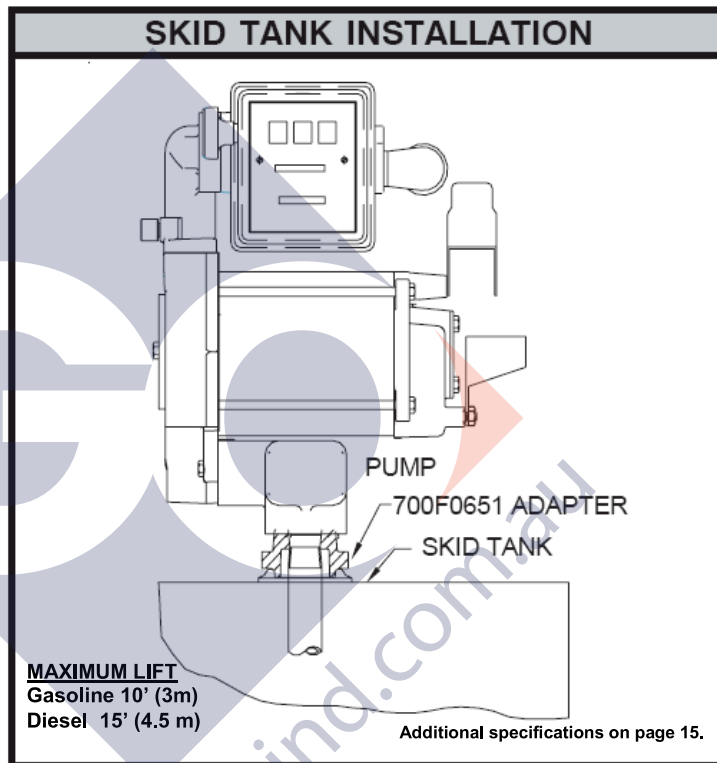
Typical Skid Tank Installation

Materials:

- 1-1/4" pipe cut to a length that will extend to within 3" of the bottom of the tank when screwed into the tank adapter with the tank adapter screwed into the tank flange (see **SKID TANK INSTALLATION** diagram).
- Threaded pipe joint sealant appropriate for application.

Installation Procedure:

- 1) Thread the 1-1/4" pipe into the tank adapter. Seal threads liquid tight with appropriate thread sealant.
- 2) Screw the tank adapter into the tank flange; seal threads liquid tight with appropriate thread sealant.
- 3) Mount the pump on the adapter; seal threads liquid tight with appropriate thread sealant.
- 4) Tuthill Corporation recommends installation of an Anti-Siphon Device (see page 7 for detailed information).



CAUTION! Threaded pipe joints and connections should be sealed with the appropriate sealant or sealant tape to minimize the possibility of leaks.

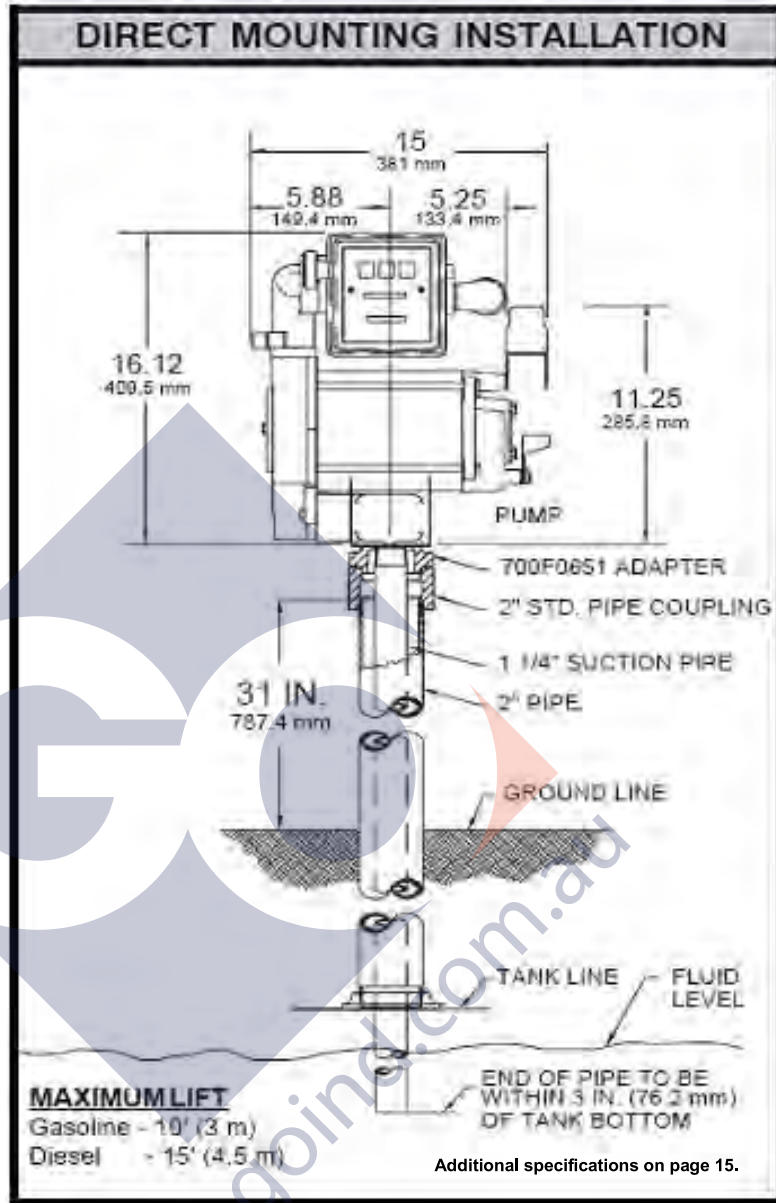
Typical Direct Mount Installation (to underground tank)

Materials:

- 2" pipe cut to length and threaded at both ends that will extend approximately 31" above the ground when installed in the tank flange.
- 1-1/4" pipe cut to a length that will extend to within 3" of the bottom of the tank when screwed into the tank adapter with the tank adapter screwed into the pipe coupling (see **DIRECT MOUNTING INSTALLATION** diagram).
- Threaded pipe joint sealant appropriate for application.

Installation Procedure:

- 1) Install the 2" pipe in the tank flange; seal threads liquid tight with appropriate sealant.
- 2) Screw a 2" standard pipe coupling onto the top of the pipe; seal threads liquid tight with appropriate sealant.
- 3) Screw the 1-1/4" pipe into the tank adapter. Seal threads liquid tight with appropriate sealant.
- 4) Screw the tank adapter into the 2" coupling; seal threads liquid tight with appropriate sealant.
- 5) Mount pump on tank adapter; seal threads liquid tight with appropriate sealant.



CAUTION! Threaded pipe joints and connections should be sealed with the appropriate sealant or sealant tape to minimize the possibility of leaks.

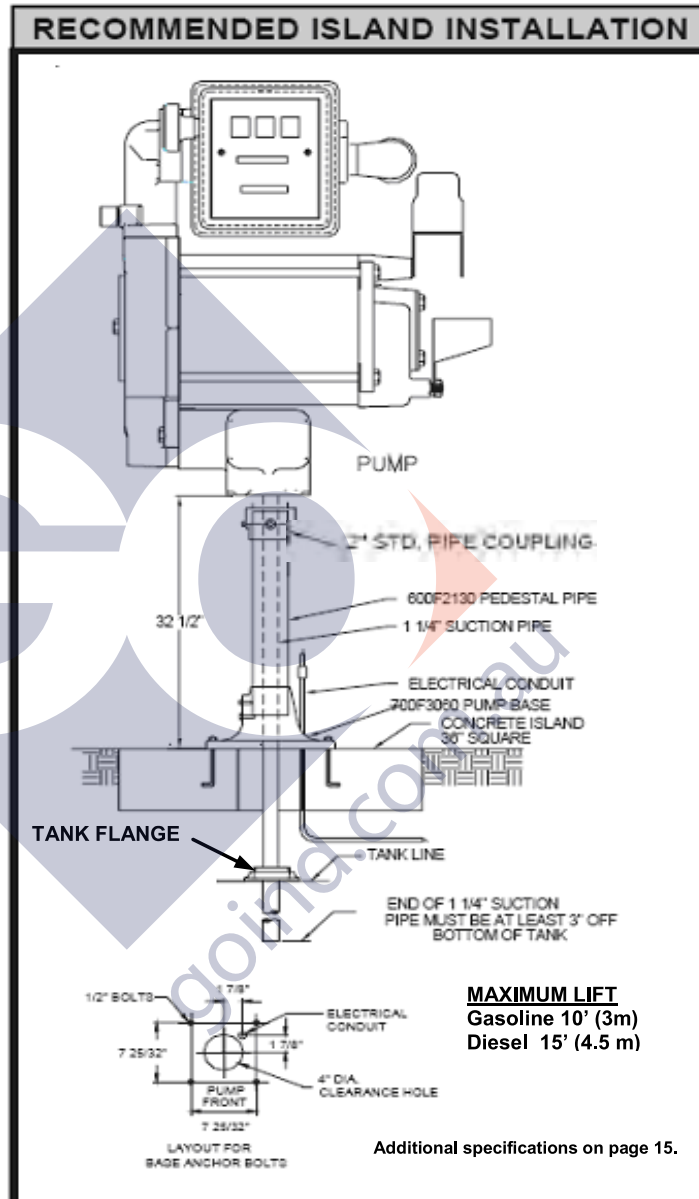
Typical "Island" Installation

Materials:

- 1-1/4" threaded suction pipe, cut to extend 32-1/2" above the island.
- TH13 Pedestal Kit (includes 600F2130 Pedestal Pipe, 700F3060 Pump Base, & Coupler).
- Threaded pipe joint sealant appropriate for application.

Installation Procedure:

- 1) Remove the coupler from the pedestal pipe by loosening the set screws.
- 2) Slip the pedestal pipe / pump base assembly over the 1-1/4" suction pipe.
- 3) Loosen the screws in the pump base to allow the pedestal pipe to slide down exposing the end of the suction pipe.
- 4) Screw the coupler onto the suction pipe; seal threads liquid tight with appropriate thread sealant.
- 5) Slide the pedestal pipe into the coupler and tighten the set screws.
- 6) Tighten the screws in the pump base.
- 7) Mount the pump on the coupler seal threads liquid tight with appropriate thread sealant.



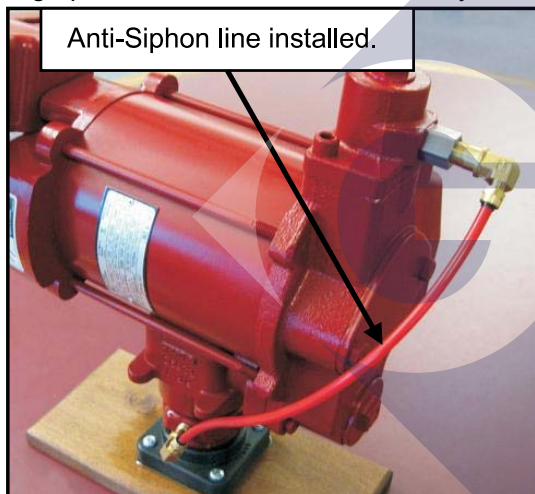
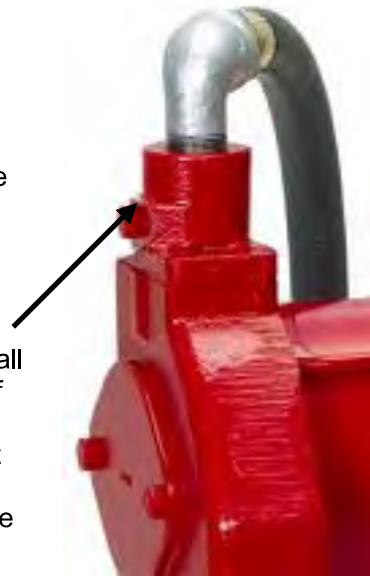
CAUTION! Threaded pipe joints and connections should be sealed with the appropriate sealant or sealant tape to minimize the possibility of leaks.

Anti-Siphon Device

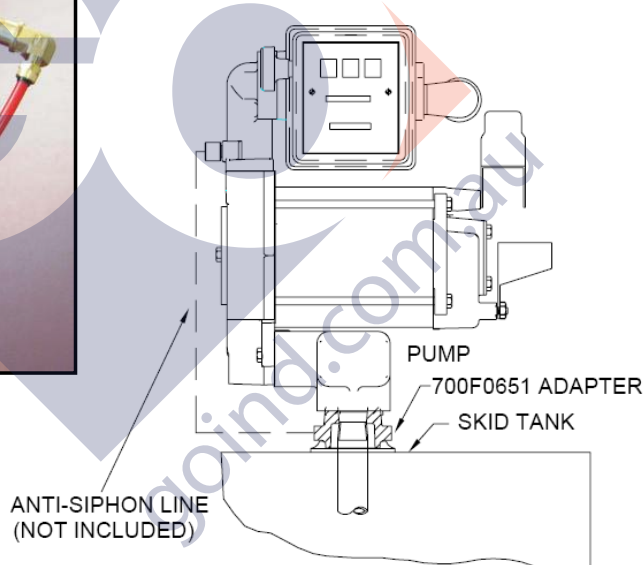
Your 700V Series pump comes from the factory anti-siphon ready, easily allowing you to install an anti-siphon tube back to the tank. An “anti-siphon” device (sometimes called a “vacuum breaker”) is important because it will break a liquid siphon if there is an open nozzle or a leaking hose below the fluid level in the tank when the pump is turned off. Tuthill recommends that an anti-siphon tube be installed from the pump outlet back to the vapor space in the tank (kit # 700KTH1067 includes this tube).

The accompanying illustration shows where and how to install the tube so that it terminates in the vapor space at the top of the tank. The tube must terminate in the vapor space; if it terminates below the fluid level in the tank, it will not prevent siphoning. It is also very important that there are no liquid traps in the tubing. The tubing must have a continuous slope from the pump down to the tank. If the pump is installed below the tank, the tubing can slope both ways from a single high point above the tank. Alternately, the tubing can be connected into any opening in the top of the tank if the tank adapter is not used.

Use reducer bushings as required for proper fit and seal.



We recommend using the anti-siphon tank adapter with a ¼ NPT opening in the side of the hex portion. This opening terminates in the vapor space of the tank. Make a liquid-tight connection using the appropriate sealant from the adapter to the anti-siphon outlet using a minimum of 1/4 metal tubing that is compatible with what ever liquid is being pumped. If the anti-siphon tank adapter is being used and the ¼ NPT opening is not used for the tubing, leave the factory installed plug in place.



Fill-Rite offers Anti-Siphon kit # 700KTH1067 (available through your Fill-Rite distributor). This kit contains the necessary fittings and tubing to complete the installation as pictured in this section.



CAUTION! Threaded pipe joints and connections should be sealed with the appropriate sealant or sealant tape to minimize the possibility of leaks.

Electrical Wiring



WARNING! Electrical wiring should be performed **ONLY** by a licensed electrician in compliance with local, state, and national electrical code NEC/ANSI/NFPA 70, NFPA30, and NFPA 30A, as appropriate to the intended use of the pump. Threaded rigid conduit, sealed fittings, and conductor seal should be used. The pump must be properly grounded. Improper installation or use of this pump can result in serious bodily injury, or death!



CAUTION! All pumps should be operated at the Rated Nameplate Voltage. Power should be supplied to the pump from a dedicated 20 amp circuit breaker. No other equipment should be powered by this circuit. Wiring must be of sufficient size to carry the correct current for the pump. Voltage drop will vary with distance to pump and size of wire; refer to the National Electrical Code (NEC), or local codes, for Voltage Drop Compensation to be sure you are using the correct size wire for your application.

Wiring Procedure



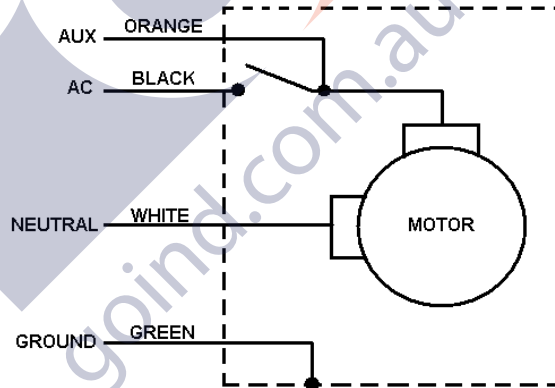
WARNING! The “AUX.” wire **IS A LIVE WIRE** when the switch is on! The “AUX” lead wire is insulated and enclosed when shipped. **DO NOT** connect this wire without first verifying the “ON” line voltage of the wire for compatibility with the equipment to be installed. Maximum amperage on this wire is 1 amp. The “AUX” wire must be insulated and enclosed in the junction box if not used.

- 1) Remove the junction box cover and straighten the wires to make sure the stripped wire ends are accessible outside the junction box.
- 2) Connect the pump wires to the power supply lines according to the diagram. Be certain to properly insulate the connections with the appropriate wire nuts or other connectors. Note that the ground wire **MUST** be connected.
- 3) Fold the wires back into the junction box and replace the cover, making sure the cover gasket is in place.

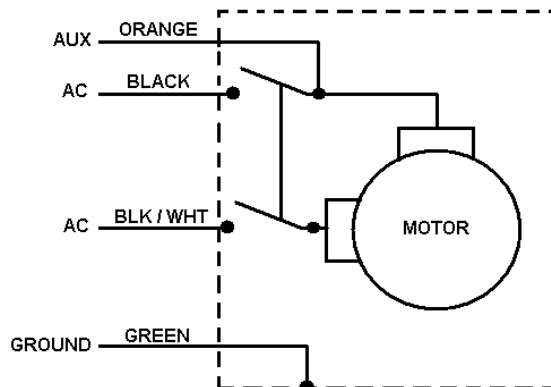


IMPORTANT! Be certain the gasket for the cover is in place, and the screws draw the cover down tight over the junction box. There must be no gap between the junction box and it's cover.

115 VOLT WIRING DIAGRAM

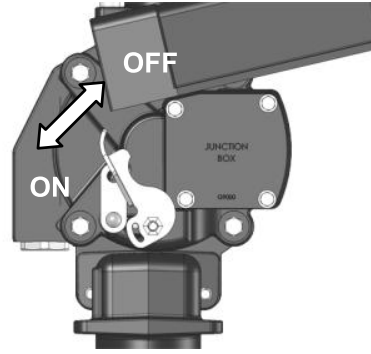


230 VOLT WIRING DIAGRAM



Operating Instructions

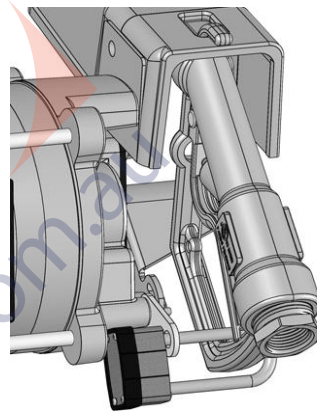
- 1) Reset Meter to “0” (if applicable).
- 2) Remove dispensing nozzle from nozzle boot.
- 3) Move the switch lever to the “ON” position to power the pump.
- 4) Insert the dispensing nozzle into the container to be filled.
- 5) Operate the nozzle to dispense fluid; release nozzle when the desired amount of fluid has been dispensed.
- 6) Move switch lever to the “OFF” position to stop the pump.
- 7) Remove the dispensing nozzle from the container and store it in the nozzle boot.



CAUTION! Always keep the nozzle in contact with the container being filled **during the filling process** to minimize the possibility of static electricity build up.

Pad Locking

Your Fill-Rite pump nozzle can be pad locked for added security. With the pump turned off, and the nozzle in the stored position, a pad lock can be inserted through the locking link and the nozzle handle opening. This configuration prevents the nozzle from being removed from the nozzle cover.



Trouble Shooting

The following “Trouble Shooting” guide is provided to offer basic diagnostic assistance in the event you encounter abnormal service from your Tuthill product.



WARNING! DO NOT open or attempt to repair the motor on your Tuthill pump. Return it to the place of purchase for service. Opening the motor case can compromise the integrity of the Explosion Proof construction and will void any existing warranty and certification (UL listing).

If you have questions regarding installing, operating, or servicing your product, please feel free to contact our Customer Service Department at 1-800-634-2695 (M-F 8 AM–5 PM ET). You can also reach us on the World Wide Web at “www.tuthill.com”.



WARNING! Be certain all power to the pump is turned off prior to performing any service or maintenance.

Symptom	Cause	Cure
Pump won't prime.	1. Suction line problem.	Check for leaks in suction line
	2. Bypass valve open.	Remove and inspect valve; must move freely & be free of debris.
	3. Vanes sticking.	Check vanes and slots for nicks, burrs and wear.*
	5. Excessive rotor or vane wear.	Inspect rotor & vanes for excessive wear or damage; replace if necessary.*
	6. Outlet blocked.	Check pump outlet, hose, nozzle & filter for blockage.
	7. Vapor Lock	Reduce vertical and horizontal distance from pump to liquid; remove automatic nozzle.
Low capacity.	1. Excessive dirt in screen.	Remove and clean screen.
	2. Suction line problem.	Check suction line for leaks or restrictions; it may be too small, too long or not airtight.
	3. Bypass valve sticking.	Remove and inspect valve; must move freely & be free of debris.
	4. Vanes sticking.	Check vanes and slots for wear.
	5. Excessive rotor or vane wear.	Inspect rotor & vanes for excessive wear or damage; replace if necessary.*
	6. Hose or nozzle damage.	Replace hose or nozzle.
	7. Plugged filter.	Replace filter.
	8. Low fluid level.	Fill tank.
Pump runs slowly.	1. Incorrect voltage.	Check incoming line voltage while pump is running.
	2. Vanes sticking.	Inspect vanes and slots for nicks, burrs and wear.*
	3. Wiring problem.	Check for loose connections.
	4. Motor problem.	Return to place of purchase.
Motor stalls.	1. Bypass valve sticking.	Remove and inspect valve; must move freely & be free of debris.
	2. Low voltage.	Check incoming line voltage while pump is running.
	3. Excessive rotor or vane wear.	Check rotor & vanes for excessive wear or damage.*
	4. Debris in pump cavity.	Clean debris from pump cavity.
Motor overheats.	1. Pumping high viscosity fluids.	These fluids can only be pumped for short periods of time (less than 30 minutes duty cycle).
	2. Clogged screen.	Remove and clean screen.
	3. Restricted suction pipe.	Remove and clean pipe.
	4. Motor failure.	Return to place of purchase.
	5. Pump rotor lock-up.	Clean and check pump rotor and vanes.
Motor Inoperative.	1.No power	Check incoming power.
	2. Switch failure.	Return to place of purchase.
	3. Motor failure.	Return to place of purchase.
	4. Thermal protector failure.	Return to place of purchase.
	5. Incorrect/loose wiring.	Check wiring.

Fluid leakage.	1. Bad o-ring gasket.	Check all o-ring gaskets.
	2. Dirty shaft seal.	Clean seal & seal cavity.
	3. Bad shaft seal.	Replace seal.
	4. Incompatible fluid.	Refer wetted parts list to fluid manufacturer.
	5. Loose fasteners.	Tighten fasteners.
Pump hums but will not operate.	1. Dirt in pump cavity.	Clean out pump cavity.
	2. Motor failure.	Return to place of purchase.
	3. Broken key.	Remove all debris & replace key.

Bold text indicates repairs that are not serviceable by the owner; pump must be returned to the point of purchase for repairs.

* Repairs marked with an asterisk (*) will require Repair Kit #700KTF2689. This kit includes a replacement rotor and new vanes, as well as a number of other important seals and components to complete the repair. Details of this kit are on page 13.

Accessories

A wide variety of accessories are available to help you maximize the performance of your Fill-Rite pump. Listed below are the applicable available accessories for your specific product. Please contact your authorized Fill-Rite distributor to purchase the accessories you need.

Part Number	Description	700	701	710	711
1200KTF7018	¾" Filter Kit (Particulate)	X	X		
F1810PM0	Replacement Particulate Filter Element	X	X		
1210KTF7019	¾" Filter Kit (Hydrosorb)	X	X		
F1810HM0	Replacement Hydrosorb Filter Element	X	X		
F4010PM0	1" Filter Kit (Particulate 10 micron)			X	X
F4030PM0	1" Filter Kit (Particulate 30 micron)			X	X
700ACCF7017	1" Filter Head			X	X
TH13	Island Pedestal Mount Kit	X	X	X	X
700KTH1067	Anti-Siphon Kit	X	X	X	X
FRH10012	1" Hose (12')			X	X
FRH10014	1" Hose (14')			X	X
700F1353	1" Hose (18')			X	X
FRH07512	¾" Hose (12')	X	X		
FRH07514	¾" Hose (14')	X	X		
N075UMN11	¾" Nozzle	X	X		
N075UAU10	¾" Nozzle, Automatic, Unleaded Spout	X	X		
N075DAU10	¾" Nozzle, Automatic, Diesel Spout	X	X		
N100UMN11	1" Nozzle Kit, Manual, Leaded Spout			X	X
KTH1402	1"Auto Shut Off Nozzle (Ultra Hi-Flow Diesel)			X	X
N100DAU10	1"Auto Shut Off Nozzle (High Flow Diesel)			X	X
FRNA075DAU10	¾" Auto Shut Off Nozzle (Arctic Duty – Diesel)	X	X		
FRNA100DAU00	1" Auto Shut Off Nozzle (Arctic Duty – Diesel)			X	X

Safety Testing Approvals

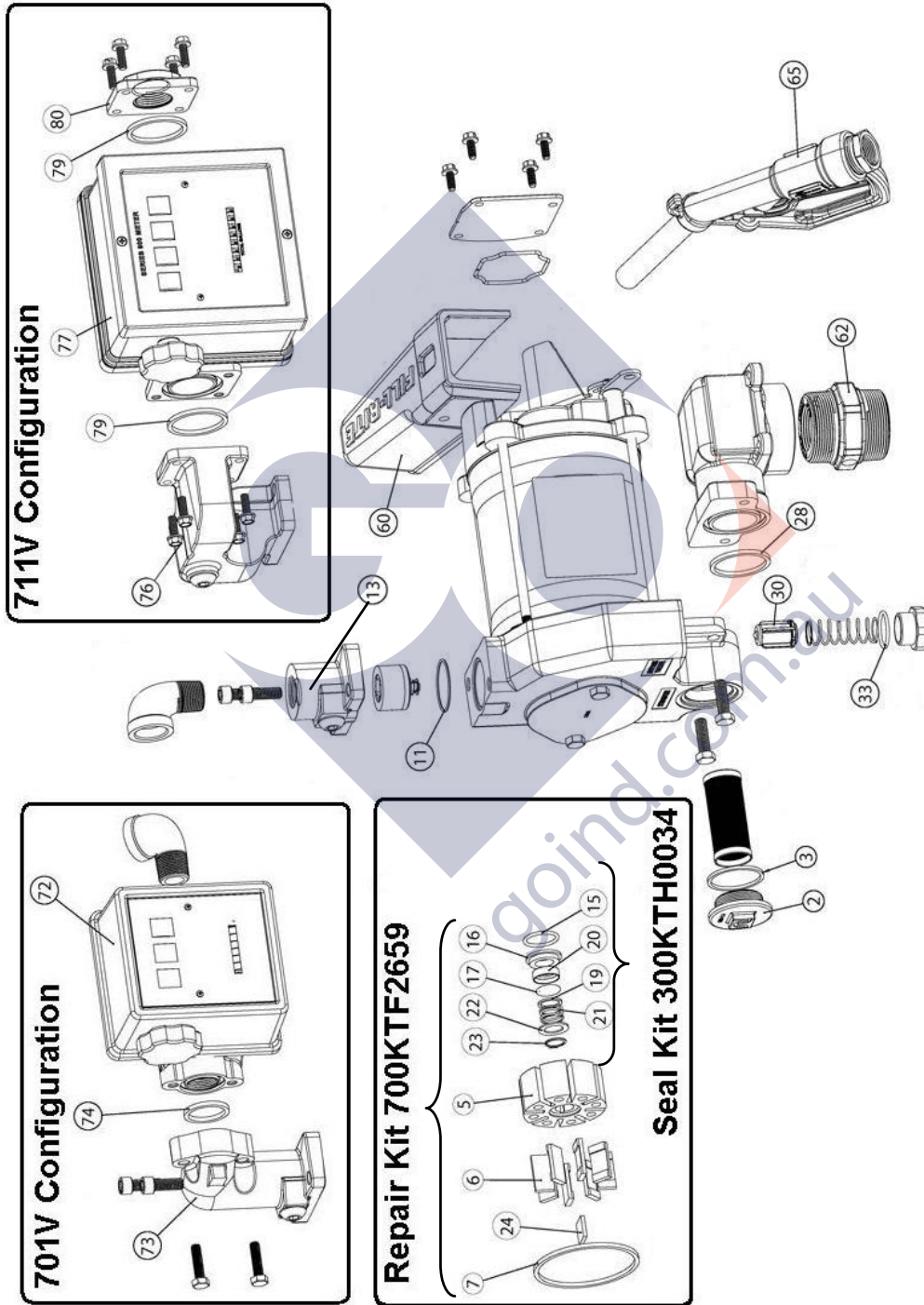
The **Fill-Rite** line of pumps have been safety tested for compliance to the standards set forth by UL Laboratories.



Replacement Parts Information

For repairs or routine maintenance, Fill-Rite offers the parts you need. The following parts diagram and list covers all applicable parts for your Fill-Rite product. These parts can be obtained through any authorized Fill-Rite dealer. Be sure to use only genuine Fill-Rite replacement parts for your service and maintenance needs. For a list of authorized dealers, please visit our web site at "www.fillrite.com".

FR700V / FR701V / FR710V / FR711V Parts List



FR700V Parts

No	Part / Kit #	Description	Kit #	Qty
2	800F4360	Strainer Cover, Machined		1
3	Repair Kit 700KTF2659	Gasket, Lathe Cut, Nitrile	Seal Kit 300KTH0034	1
5		Pump Rotor, Machined		1
6		Vane, Carbon Epoxy Impregnated		8
11		O-Ring, Flourocarbon, -030		1
7		Gasket, Lathe Cut, Nitrile		1
15		O-Ring, Flourocarbon,-120		1
16		Inner Seal, Carbon		1
17		O-Ring, Flourocarbon,-114		1
19		Seal Ring		1
20		Inner Seal		1
21		Spring, Seal		1
22		Washer, Shaft		1
23		Retaining Ring, External 5/8		1
24		Key, Rotor		1
28		Gasket, Lathe Cut, Nitrile		1
30		Bypass Poppet		1
33		O-Ring, Nitrile,-121		1
60	700F6673	Standard Nozzle Boot, Cast		1
62	700F0651	Machined Tank Adapter AST 2 x 1¼		1
65	N075UMN11	Nozzle Assembly		1

FR701V Parts

No.	Part Number	Description	Qty
72	807C	800 Meter (Gallon)	1
73	Kit # 701H0934	Meter Flange	1
74		Gasket, Lathe Cut, Nitrile	1
72	807CL	800 Meter (Liter)	1

FR710V Parts

No.	Part Number	Description	Qty
13	700H0128	1" Outlet Flange	1

FR711V Parts

No.	Gallon Kit Number	Description	Liter Kit Number	Qty
77	900 Meter (Gallon) Kit # 901MK300V	900 Meter (Gallons)	900 Meter (Liter) Kit # 901LMK300V	1
76		Meter Flange		1
79		Meter Gasket		2
80		1" Meter Fitting		1
77		900 Meter (Liters)		1



WARNING! DO NOT open or attempt to repair the motor on your Fill-Rite pump. Return it to the place of purchase for service. Opening the motor case can compromise the integrity of the Explosion Proof construction and will void any existing warranty and certification (UL listing).

Tuthill Product Warranty

Tuthill Transfer Systems (“Manufacturer”) warrants each consumer buyer of its Fill-Rite products (“Buyer”) from the date of invoice or sales receipt, that goods of its manufacture (“Goods”) shall be free from defects of materials and workmanship. Duration of the warranty is as follows:

- Heavy Duty Products – Two Years
- Standard Duty Products – One Year
- Economy Duty Products – One Year
- Cabinet Pumps, Parts, and Accessories – One Year

Manufacturers sole obligation under the foregoing warranties will be limited to either – at Manufacturers option – repairing or replacing defective goods (subject to limitations hereinafter provided) or refunding the purchase price for such Goods theretofore paid by the buyer, and Buyers exclusive remedy for breach of any such warranties will be enforcement of such obligations of the Manufacturer. If the Manufacturer so requests the return of such Goods, the Goods will be redelivered to the manufacturer in accordance with Manufacturers instructions FOB Factory. The remedies contained herein shall constitute the sole recourse of the Buyer against the Manufacturer for breach of warranty. **IN NO EVENT SHALL THE MANUFACTURER’S LIABILITY FOR ANY CLAIM FOR DAMAGES ARISING OUT OF THE MANUFACTURE, SALE, DELIVERY, OR USE OF THE GOODS EXCEED THE PURCHASE PRICE.** The foregoing warranties will not extend to goods subject to misuse, neglect, accident, improper installation or maintenance, or have been repaired by anyone other than the Manufacturer or its authorized representative. **THE FOREGOING WARRANTIES ARE EXCLUSIVE AND IN LIEU OF ALL OTHER WARRANTIES OF MERCHANTABILITY, FITNESS FOR PURPOSE OF ANY OTHER TYPE, WHETHER EXPRESSED OR IMPLIED.** No person may vary the forgoing warranties or remedies, except in writing signed by a duly authorized officer of the Manufacturer. The Buyer’s acceptance of delivery of the Goods constitutes acceptance of the foregoing warranties and remedies, and all conditions and limitations thereof.

Tuthill Corporation recommends you retain your sales receipt as proof of purchase.

The following space has been provided to record important information about your pump for quick reference.

Model Number		UPC Bar Code	
Manufacture Date		Serial Number	
Date of Purchase		Purchase Location	

Fluid Compatibility

Diesel Fuel
Stoddard Solvents

Gasoline
Heptane

Kerosene

Mineral Spirits



IMPORTANT! If in doubt about compatibility of a specific fluid, contact supplier of fluid to check for any adverse reactions to the following wetted materials: **cast iron; steel; zinc plated steel; 300 series stainless steel; bronze; carbon; ceramic; polyester; fiber; fluorocarbon; buna; 400 series stainless steel; aluminum.**

Technical Information / Specifications

Design Features

- Inlet: Bung - 2" male NPT; Suction pipe- 1-1/4" female NPT.
- Outlet: 3/4" NPT (model 700 / 701) / 1" NPT (model 710 / 711).
- Cast iron pump housing: iron (composite) rotor, and carbon (composite) vanes.
- Model 700 / 701 Furnished with UL listed 3/4"x 12' hose and manual nozzle.
- Model 711 Furnished with one UL listed 1" x 18' hose and automatic nozzle.
- Security: Pump equipped for padlocking (see page 9 for details).
- Thermal Overload Protection.
- Heavy Duty Switch.
- 30 Minute Duty Cycle.
- Explosion proof motor UL listed 1/3 HP motor (115 VAC-60Hz) with sealed bearings that require no maintenance.
- Integral check valve with pressure relief on outlet side reduces pressure drop and improves vertical lift.
- Easy access strainer.
- Automatic bypass valve.
- 2" threaded base for tank openings.
- Constant Amp Draw: 115VAC – 5.5 amps; 230VAC – 2.4 amps (Service Factor of 1.0).

Overall Dimensions:

Model 700V / 710V: 14.15" wide X 11.825" high x 11.5" deep.

Model 701V: 14.15" wide X 16.6" high x 11.675" deep.

Model 711V: 15.25" wide x 16.1" high x 14.1" deep.

Shipping Weight: **FR700V**: 54 lbs. / **FR701V**: 61 lbs. / **FR710V**: 54 lbs. / **FR711V**: 61 lbs.

Accessories:

- See Page 11 for a complete list of available accessories.

Performance:

- 25 psi (1.72 bar) maximum pressure @ pump outlet.
- Up to 20 gallons (75 liters) per minute.
- Maximum viscosity of fluid pumped: #2 Diesel Fuel.
- Maximum Pump Operating Temperature (ambient) 150 degrees F (66 degrees C).
- Minimum Pump Operating Temperature (ambient) – 40 degrees F (-40 degrees C) (note that operation at –40 requires the "Arctic Nozzle" and "Arctic Hose" in the accessories section on page 11).
- Maximum Suction Lift: 10' (3 m) for gasoline; 18' (5.5 m) for diesel fuel (the lift in feet is equal to the vertical distance from the surface of the fluid in the tank to the inlet of the pump, PLUS friction losses through the vertical and horizontal runs of pipe, all elbows, and other fittings. System should be set up to require a **minimum** amount of suction lift).

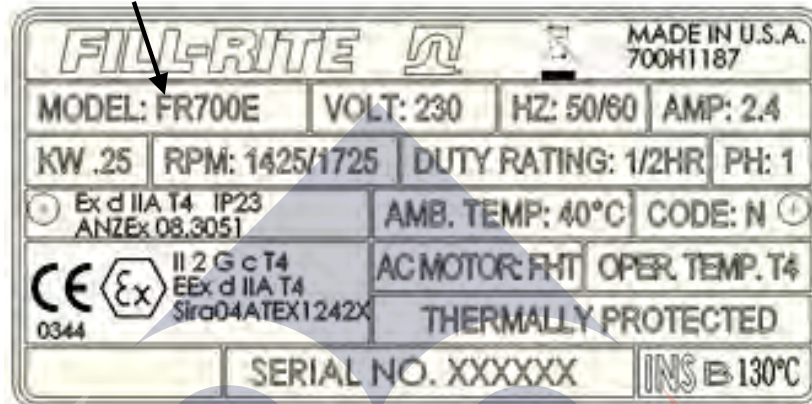


IMPORTANT! All threaded connections on 700 series "M" suffix model pumps and meters are BSP standard threads, ***NOT*** NPT standard threads as described elsewhere in this manual. Be sure to check the model tag affixed to the motor to be certain which model pump you have.

ATTENTION!

The following information is for suffix “E” pumps and meters (designed for use outside the United States and Canada)! Refer to the information label applied to your pump to see if it is applicable.

FR700E



Materials of Construction

Materials of construction of the external surface of the unit are: painted steel; painted cast iron; painted aluminum; zinc plated steel.

Materials of construction of the wetted parts are: cast iron; steel; zinc plated steel; 300 series stainless steel; bronze; carbon; ceramic; polyester; fiber; fluorocarbon; buna; 400 series stainless steel; aluminum.

Repair and Maintenance

Contact the place of purchase for warranty repair and maintenance.

Special Conditions for Safe Use

The M8 fasteners used for securing the stator housing shall be Class 10.9. The M6 fasteners used for securing the terminal compartments cover shall be Class 8.8.

An electrically conductive hose and nozzle must be used with flammable liquids. To minimize static electricity buildup, keep nozzle in contact with container being filled.

Installation

Pump must be installed in compliance with EN 60079-14.

Certificates for Compliance of Safety have been obtained for the following agencies for products sold outside the US and Canada. Please refer to the tag on your particular product for its particular compliance data.



CENELEC standards.





Serie 700

Bomba de transferencia de combustible

Serie 700V - 115 y 230 VOLTIOS DE CA

Modelos FR700V, FR701V, FR710V, y FR711V

goind.com.au

Tabla de contenidos

Tabla de contenidos	18
¡Gracias!	18
Acerca de este manual	18
Información de seguridad	19
Instalación.....	19
Dispositivo antisifón	23
Cableado eléctrico	24
Procedimiento de cableado	24
Instrucciones de operación	25
Cierre con candado	25
Solución de problemas	25
Accesorios	27
Aprobaciones de pruebas de seguridad	27
Información sobre repuestos	28
Lista de piezas FR700V / FR701V / FR710V / FR711V	28
Garantía de productos Tuthill.....	30
Compatibilidad de líquidos.....	30
Información técnica y especificaciones.....	31
Información del modelo 700E.....	32

¡Gracias!

¡Gracias por adquirir la bomba Fill-Rite serie 700V! Su producto Fill-Rite cuenta con más de 80 años de experiencia en la fabricación de bombas, lo que le brindará el valor que acompaña al rendimiento superior, un diseño fácil de usar, una larga vida útil y un diseño de ingeniería simple y resistente. La experiencia que le proporciona tranquilidad.

¡Relájese, es Tuthill!

Acerca de este manual

Desde el concepto y el diseño inicial hasta el producto final, su bomba Fill-Rite se fabrica para darle años de servicio sin ningún problema. Para garantizar que proporcione dicho servicio, **es fundamental que lea por completo este manual antes de intentar instalar y operar su nueva bomba**. Familiarícese con los términos y diagramas, y ponga mucha atención a las áreas destacadas con las siguientes etiquetas:



¡ADVERTENCIA! Destaca un área en que se pueden producir lesiones personales e incluso la muerte si no se siguen las instrucciones de manera adecuada. También se pueden producir daños mecánicos.



¡IMPORTANTE! Estos cuadros contienen información que ilustra un punto que podría ahorrar tiempo o ser clave para la operación adecuada, o que clarifica un paso.



¡PRECAUCIÓN! No poner atención al aviso de "Precaución" podría provocar daños al equipo.

En Tuthill, su satisfacción con nuestros productos es primordial para nosotros. Si tiene cualquier duda o necesita asistencia con nuestros productos, comuníquese con nosotros al 1-800-634-2695 (lunes a viernes de 8 AM a 5 PM, hora del este).

Información de seguridad



¡ADVERTENCIA! El cableado eléctrico SÓLO debe realizarlo un electricista con licencia que cumpla los códigos de electricidad locales, estatales y nacionales NEC/ANSI/NFPA 70, NFPA30 y NFPA 30A, según corresponda para el uso que se le dará a la bomba. Se deben utilizar conductos rígidos roscados, conectores sellados y sellos de conductor. La bomba debe estar conectada a tierra correctamente. ¡La instalación o el uso incorrectos de esta bomba pueden provocar lesiones físicas graves o la muerte!



¡ADVERTENCIA! Para garantizar una operación segura y adecuada de su equipo, es fundamental leer y cumplir todas las siguientes precauciones y advertencias de seguridad. ¡La instalación o el uso incorrectos de este producto pueden provocar lesiones físicas graves o la muerte!

- 8) **¡NUNCA** fume cerca de la bomba ni la utilice cerca de una llama mientras bombea un líquido inflamable! ¡Puede provocar un incendio!
- 9) En el orificio de salida de la bomba se debe usar un filtro "Fill-Rite" para garantizar que ningún material extraño se transfiera al tanque de combustible.
- 10) Las juntas de tuberías roscadas y las conexiones se deben sellar con un sellador adecuado o cinta selladora para minimizar las posibilidades de filtraciones.
- 11) Los tanques de almacenamiento deben estar correctamente anclados para evitar el desplazamiento o vertido cuando estén llenos o vacíos.
- 12) Para minimizar la acumulación de electricidad estática, utilice sólo un tubo flexible conductor de cableado estático cuando bombee líquidos inflamables y mantenga la boquilla llena en contacto con el recipiente que se esté llenando durante el proceso de llenado.
- 13) El motor de la bomba está equipado con protección de sobrecarga térmica; si se sobrecalienta, el motor se apagará para evitar daños al devanado. Si esto sucede, **¡APAGUE LA BOMBA!** Cuando el motor de enfrie, se reiniciará sin advertir si la energía está encendida.



¡ADVERTENCIA! Este producto no se debe utilizar para transferir líquidos a ningún tipo de aeronave.



¡ADVERTENCIA! Este producto no es apto para su uso con líquidos destinados al consumo humano o líquidos que contengan agua.

Instalación

La bomba Fill-Rite de la serie 700V está diseñada para ofrecer diferentes configuraciones de montaje. Se puede montar en un tanque sobre patines con un adaptador de tanque proporcionado con la bomba (consulte el diagrama adjunto), se puede montar directamente sobre un tanque subterráneo o en una isla de concreto con el adaptador de soporte opcional (disponible por medio de su distribuidor de Fill-Rite). Independiente del estilo de montaje, todos los tanques deben tener una ventilación adecuada y las instalaciones de tanque sobre patines deben utilizar un mecanismo antisifón.

La bomba de la serie 700V cuenta con una válvula de retención incorporada para reducir la presión excesiva insegura de la expansión térmica del líquido. Además posee una válvula de derivación integral para ayudar a minimizar el desgaste cuando la bomba funciona con la boquilla cerrada.



¡ADVERTENCIA! En aplicaciones de "tanque sobre patines", confirme que el tanque esté correctamente asegurado de manera que no se pueda desplazar o mover cuando esté lleno o vacío.



¡PRECAUCIÓN! No utilice válvulas de retención o de contención adicionales, a menos que éstas tengan una válvula de alivio de presión adecuada incorporada. Observe que las válvulas de retención adicionales reducirán la velocidad del flujo.



¡PRECAUCIÓN! Se puede utilizar una tapa de llenado para retención de presión, con el fin de reducir la pérdida de combustible por evaporación, pero observe que reducirá la velocidad del flujo.



¡PRECAUCIÓN! Las juntas de tuberías roscadas y las conexiones se deben sellar con un sellador adecuado o cinta selladora para minimizar las posibilidades de filtraciones.

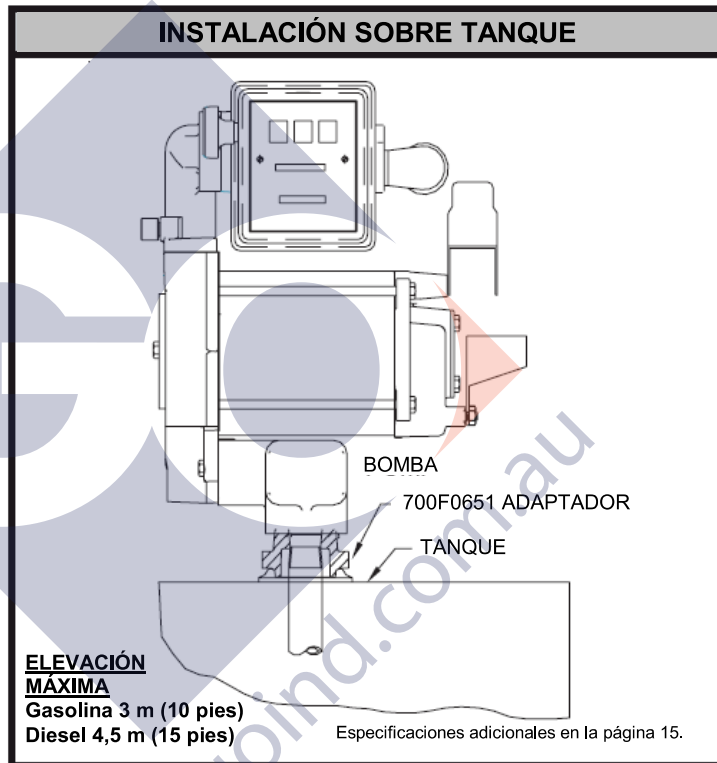
Instalación típica sobre tanque

Materiales:

- Tubería de 1-1/4 pulg. cortada a un largo que se extienda dentro de 7,6 cm (3 pulg.) del fondo del tanque cuando se atornilla en el adaptador de éste, el que a su vez se atornilla en el reborde del tanque (consulte el diagrama **INSTALACIÓN SOBRE TANQUE**).
- Sellador de junta de tubería roscada adecuado para la aplicación.

Procedimiento de instalación:

- 1) Rosque la tubería de 1-1/4 pulg. en el adaptador del tanque. Selle las roscas para impermeabilizarlas con un sellador apropiado.
- 2) Atornille el adaptador del tanque en el reborde del tanque; selle las roscas para impermeabilizarlas con un sellador apropiado.
- 3) Monte la bomba en el adaptador, selle las roscas para impermeabilizarlas con un sellador apropiado.
- 4) Tuthill Corporation recomienda la instalación de un dispositivo antisifón (consulte la página 7 para obtener información detallada).



¡PRECAUCIÓN! Las juntas de tuberías roscadas y las conexiones se deben sellar con un sellador adecuado o cinta selladora para minimizar las posibilidades de filtraciones.

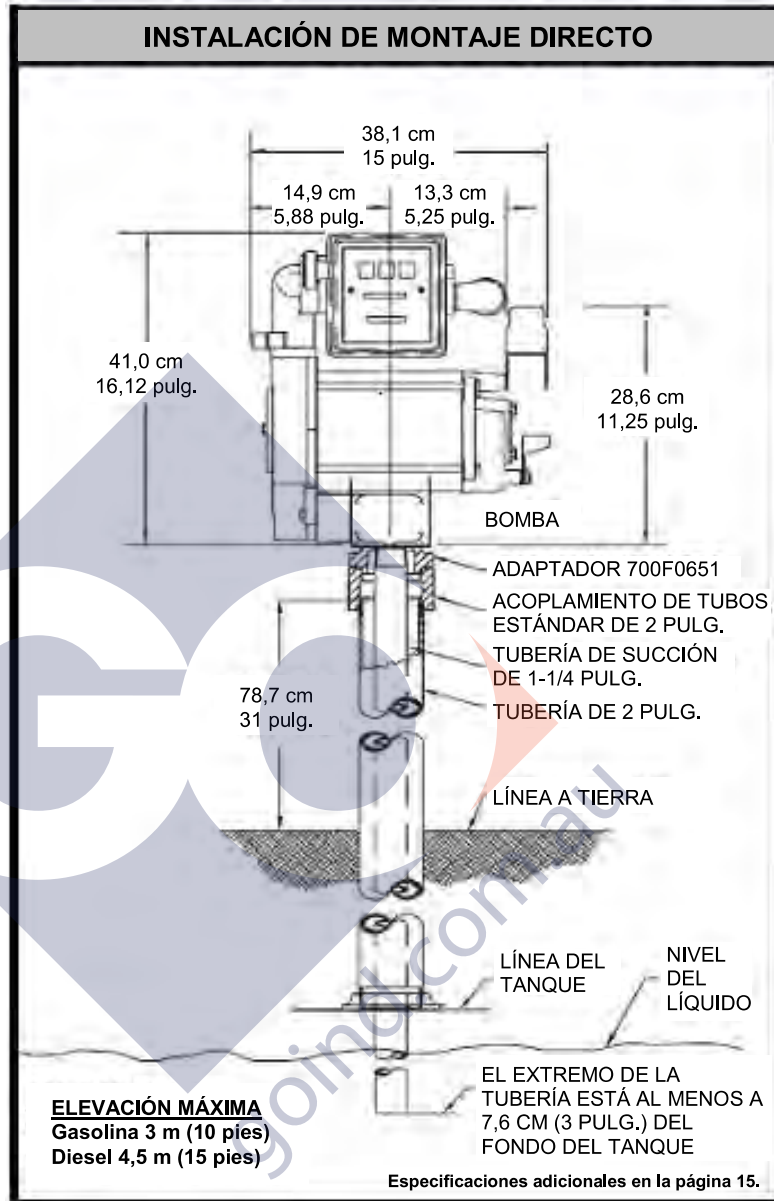
Instalación típica de montaje directo (en un tanque subterráneo)

Materiales:

- Tubería de 2 pulg. cortada y roscada en ambos extremos que se extiende aproximadamente 79 cm (31 pulg.) sobre el terreno cuando se instala en el reborde del tanque.
- Tubería de 1-1/4 pulg. cortada a un largo que se extiende dentro de 7,6 cm (3 pulg.) del fondo del tanque cuando se atornilla en el adaptador de éste, el que a su vez se atornilla en el acoplamiento de tubos (consulte el diagrama **INSTALACIÓN DE MONTAJE DIRECTO**).
- Sellador de junta de tubería roscada adecuado para la aplicación.

Procedimiento de instalación:

- 1) Instale la tubería de 2 pulg. en el reborde del tanque, selle las roscas para impermeabilizarlas con un sellador apropiado.
- 2) Atornille un acoplamiento de tubos estándar de 2 pulg. en la parte superior de la tubería, selle las roscas para impermeabilizarlas con un sellador apropiado.
- 3) Atornille la tubería de 1-1/4 pulg. en el adaptador del tanque. Selle las roscas para impermeabilizarlas con un sellador apropiado.
- 4) Atornille el adaptador del tanque en el acoplamiento de 2 pulg., selle las roscas para impermeabilizarlas con un sellador apropiado.
- 5) Monte la bomba en el adaptador del tanque, selle las roscas para impermeabilizarlas con un sellador apropiado.



¡PRECAUCIÓN! Las juntas de tuberías roscadas y las conexiones se deben sellar con un sellador adecuado o cinta selladora para minimizar las posibilidades de filtraciones.

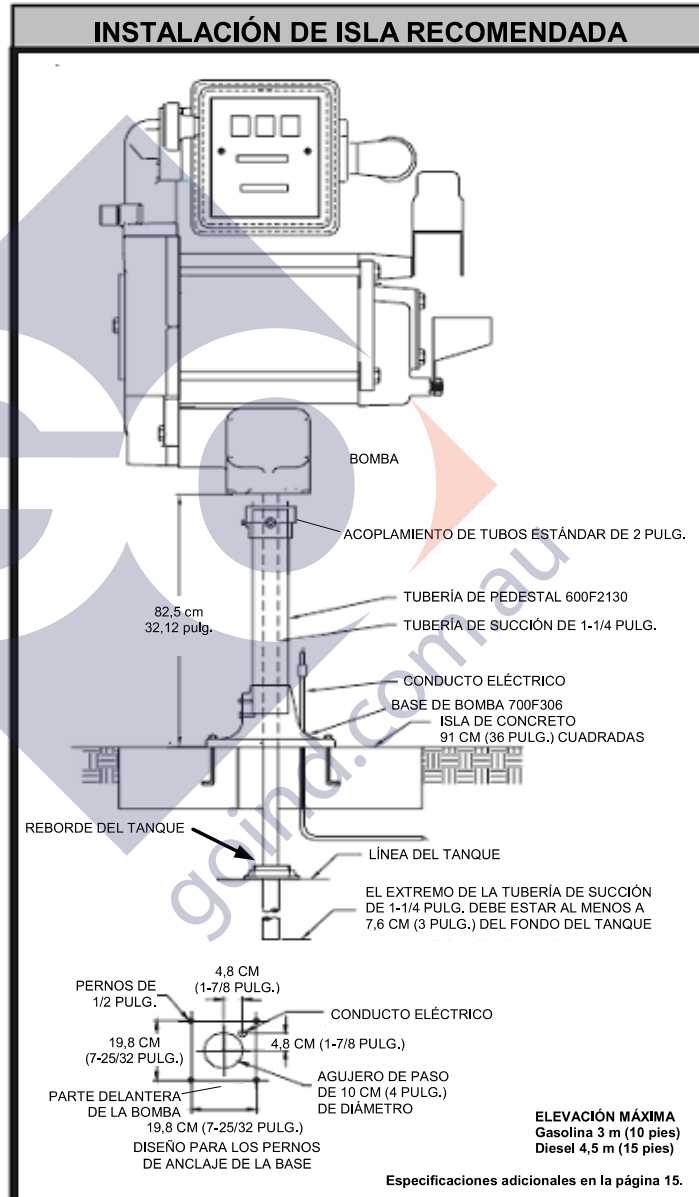
Instalación típica de “isla”

Materiales:

- Tubería de succión roscada de 1-1/4 pulg., cortada para que se extienda 82,5 cm (32-1/2 pulg.) sobre la isla.
- Juego de soporte TH13 (incluye tubería de pedestal 600F2130, base de bomba 700F3060 y acoplador).
- Sellador de junta de tubería roscada adecuado para la aplicación.

Procedimiento de instalación:

- 1) Retire el acoplador desde la tubería de soporte soltando los tornillos de fijación.
- 2) Deslice el conjunto de tubería de soporte/base de la bomba sobre la tubería de succión de 1-1/4 pulg.
- 3) Suelte los tornillos en la base de la bomba para permitir que la tubería de soporte se deslice y exponga el extremo de la tubería de succión.
- 4) Atornille el acoplador en la tubería de succión, selle las roscas para impermeabilizarlas con un sellador apropiado.
- 5) Deslice la tubería de soporte en el acoplador y apriete los tornillos de fijación.
- 6) Apriete los tornillos en la base de la bomba.
- 7) Monte la bomba en el acoplador, selle las roscas para impermeabilizarlas con un sellador apropiado.

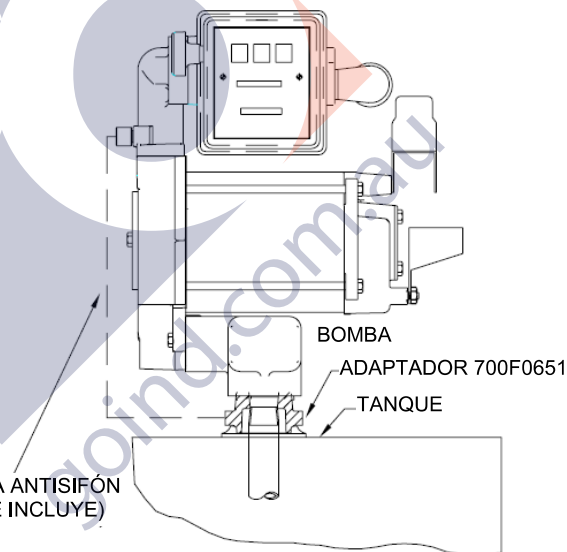


¡PRECAUCIÓN! Las juntas de tuberías roscadas y las conexiones se deben sellar con un sellador adecuado o cinta selladora para minimizar las posibilidades de filtraciones.

Dispositivo antisifón

Su bomba serie 700V, viene preparada de fábrica con el sistema antisifón, lo que le permite instalar fácilmente un tubo antisifón en la parte posterior del tanque. Un dispositivo "antisifón" (algunas veces se le conoce como "igualador de presión") es importante debido a que romperá un sifón de líquido si hay una boquilla abierta o un tubo flexible con filtraciones bajo el nivel del líquido en el tanque al apagar la bomba. Tuthill recomienda instalar una tubería antisifón desde la salida de la bomba hasta el espacio para el vapor en el depósito (el juego N° 700KTH1067 incluye esta tubería).

La imagen muestra dónde y cómo instalar el tubo de manera que termine en el espacio para el vapor en la parte superior del tanque. El tubo debe terminar en el espacio para el vapor; si termina bajo el nivel del líquido en el tanque, no prevendrá el sifonaje. Además, es muy importante que no haya dispositivos de retención de líquido en la tubería. Ésta debe tener una pendiente continua desde la bomba hasta el tanque. Si se instala la bomba bajo el tanque, la tubería puede formar una pendiente en ambas direcciones desde un punto único alto sobre el tanque. Como una alternativa, se puede conectar la tubería en cualquier abertura en la parte superior del tanque si el adaptador de éste no se utiliza. Utilice codos dobles reductores según sea necesario para ajustar y sellar de manera apropiada.



Recomendamos utilizar el adaptador de tanque antisifón con una abertura de 1/4 de NPT al costado de la parte hexagonal. Esta abertura termina en el espacio para el vapor en el tanque. Realice una conexión impermeable utilizando el sellador adecuado desde el adaptador hasta el tubo de salida antisifón, con un mínimo de tubería de metal de 1/4 que sea compatible con el líquido que se esté bombeando. Si se está utilizando el adaptador de tanque antisifón y no se está utilizando la abertura de 1/4 de NPT para la tubería, deje el tapón instalado de fábrica en su lugar.

Fill-Rite ofrece el juego antisifón N° 700KTH1067 (disponible por medio de su distribuidor Fill-Rite). El juego contiene los conectores y las tuberías necesarios para completar la instalación como se muestra en las imágenes de esta sección.



¡PRECAUCIÓN! Las juntas de tuberías roscadas y las conexiones se deben sellar con un sellador adecuado o cinta selladora para minimizar las posibilidades de filtraciones.

Cableado eléctrico



¡ADVERTENCIA! El cableado eléctrico SÓLO debe realizarlo un electricista con licencia que cumpla los códigos de electricidad locales, estatales y nacionales NEC/ANSI/NFPA 70, NFPA30 y NFPA 30A, según corresponda para el uso que se le dará a la bomba. Se deben utilizar conductos rígidos roscados, conectores sellados y sellos de conductor. La bomba debe estar conectada a tierra correctamente. ¡La instalación o el uso incorrectos de esta bomba pueden provocar lesiones físicas graves o la muerte!



¡PRECAUCIÓN! Todas las bombas deben funcionar al voltaje especificado en la placa de nombre. Se debe suministrar energía a la bomba desde un disyuntor de circuito de 20 amperes. Este circuito no debe alimentar a ningún otro equipo. Los cables deben tener el calibre suficiente para transportar la corriente adecuada para la bomba. La caída de voltaje variará con la distancia a la bomba y el calibre del cable. Consulte el National Electrical Code (NEC) o los códigos locales para obtener información sobre la compensación de caídas de voltaje y asegurarse de que está utilizando un cableado del calibre correcto para su aplicación.

Procedimiento de cableado



¡ADVERTENCIA! ¡El cable "AUX" ES UN CABLE CARGADO cuando el interruptor está en posición de encendido! El hilo de plomo conductor "AUX" se aísla y se cierra para el envío. **NO** conecte este cable sin antes verificar que el voltaje de línea "ENCENDIDO" del cable sea compatible con el equipo que se instalará. El amperaje máximo de este cable es 1 ampere. El cable "AUX" se debe aislar y cerrar en la caja de conexiones si no se utiliza.

- 1) Retire la cubierta de la caja de conexiones y enderece los cables para asegurarse de que se puede tener acceso a los extremos de los cables pelados fuera de la caja de conexiones.
- 2) Conecte los cables de la bomba a las tuberías de suministro de energía según el diagrama. Asegúrese de aislar correctamente las conexiones con tuercas para hilos u otros conectores adecuados. Observe que el conductor de tierra **DEBE** estar conectado.
- 3) Pliegue los cables de regreso en la caja de conexiones y reemplace la cubierta. Asegúrese de que la junta de la cubierta esté en su lugar.

DIAGRAMA ELÉCTRICO DE 115 VOLTIOS

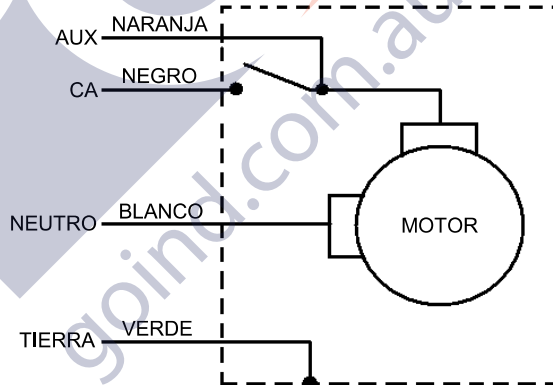
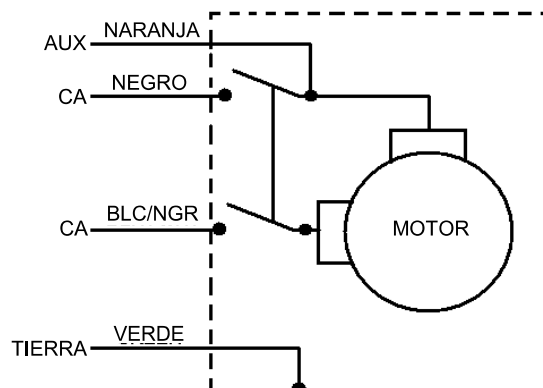


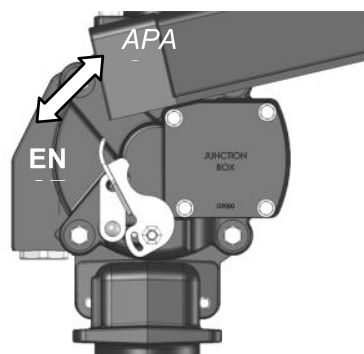
DIAGRAMA ELÉCTRICO DE 230 VOLTIOS



¡IMPORTANTE! Asegúrese de que la junta de la cubierta está en su lugar y que los tornillos bajen firmemente la cubierta sobre la caja de conexiones. No debe haber separación entre la caja de conexiones y su cubierta.

Instrucciones de operación

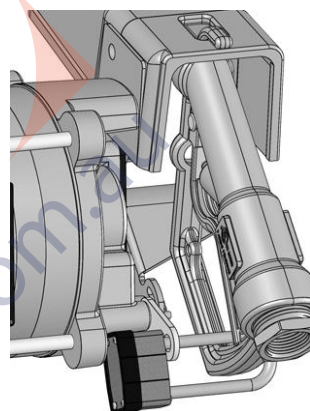
- 1) Restablezca el medidor en "0" (si corresponde).
- 2) Retire la boquilla de despacho de la envoltura de la boquilla.
- 3) Mueva la palanca del interruptor a la posición ENCENDIDO para impulsar la bomba.
- 4) Inserte la boquilla de despacho en el recipiente que se llenará.
- 5) Opere la boquilla para dispensar el líquido; suelte la boquilla cuando haya dispensado la cantidad deseada de líquido.
- 6) Mueva la palanca del interruptor a la posición APAGADO para detener la bomba.
- 7) Retire la boquilla de despacho del recipiente y almacénela en la envoltura de la boquilla.



¡PRECAUCIÓN! Mantenga siempre la boquilla en contacto con el recipiente que se esté llenando durante el proceso de llenado para minimizar la posibilidad de acumulación de electricidad estática.

Cierre con candado

Para mayor seguridad, la boquilla de su bomba Fill-Rite se puede cerrar con un candado. Cuando la bomba está apagada, y la boquilla está en la posición de almacenamiento, se puede insertar un candado en la conexión de la cerradura y la abertura del mango de la boquilla. Esta configuración evita que se pueda retirar la boquilla de su cubierta.



Solución de problemas

La siguiente guía de "Solución de problemas" ofrece asistencia de diagnóstico básico en caso de que enfrente un servicio anormal por parte de su producto Tuthill.



¡ADVERTENCIA! NO abra o intente reparar el motor de su bomba Tuthill. Devuélvalo al lugar de la compra para realizar servicio técnico. Al abrir la carcasa del motor se puede poner en peligro la integridad de la fabricación a prueba de explosión y anulará cualquier garantía y certificación existente (lista UL).

Si tiene cualquier duda en cuanto a la instalación, operación o mantenimiento de su producto, comuníquese con nuestro Departamento de Servicio al Cliente al 1-800-634-2695 (lunes a viernes de 8 AM a 5 PM, hora del este). También puede contactarnos en nuestro sitio Web "www.tuthill.com".



¡ADVERTENCIA! Asegúrese de que la bomba no reciba ningún tipo alimentación eléctrica antes de realizar cualquier servicio técnico o mantenimiento.

Síntoma	Causa	Solución
La bomba no ceba.	1. Problema de la tubería de succión.	Verifique si hay filtraciones en la tubería de succión.
	2. Válvula de derivación abierta.	Retire y revise la válvula; ésta se debe mover libremente y no debe tener residuos.
	3. Bloqueo de las paletas.	Verifique si hay muescas, rebabas y desgaste en las paletas y ranuras.*
	5. Desgaste excesivo del rotor o de las paletas.	Inspeccione si hay daño o desgaste excesivo el rotor y las paletas; reemplace de ser necesario.*
	6. Salida bloqueada.	Verifique si hay bloqueos en la salida de la bomba, la manguera, la boquilla y el filtro.
	7. Bloqueo de vapor.	Reduzca la distancia vertical y horizontal desde la bomba al líquido, retire la boquilla automática.
	Capacidad baja.	1. Suciedad excesiva en la rejilla.
2. Problema de la tubería de succión.		Verifique si hay filtraciones o restricciones en la tubería de succión; puede ser muy pequeña, muy larga o no es hermética.
3. Bloqueo de la válvula de derivación.		Retire y revise la válvula; ésta se debe mover libremente y no debe tener residuos.
4. Bloqueo de las paletas.		Verifique su desgaste en las paletas y ranuras.
5. Desgaste excesivo del rotor o de las paletas.		Inspeccione si hay daño o desgaste excesivo el rotor y las paletas; reemplace de ser necesario.*
6. Daño en la manguera o la boquilla.		Reemplace la manguera o la boquilla.
7. Filtro obstruido.		Reemplace el filtro.
8. Nivel de líquido bajo.		Llene el tanque.
La bomba funciona lento.	1. Voltaje incorrecto.	Verifique el voltaje de línea de entrada mientras la bomba esté funcionando.
	2. Bloqueo de las paletas.	Inspeccione si hay muescas, rebabas y desgaste en las paletas y ranuras.*
	3. Problema de cableado.	Verifique si hay conexiones sueltas.
	4. Problema del motor.	Regrese al lugar de la compra.
El motor se detiene.	1. Bloqueo de la válvula de derivación.	Retire y revise la válvula; ésta se debe mover libremente y no debe tener residuos.
	2. Voltaje bajo.	Verifique el voltaje de línea de entrada mientras la bomba esté funcionando.
	3. Desgaste excesivo del rotor o de las paletas.	Verifique si hay daño o desgaste excesivo del rotor y las paletas.
	4. Residuos en la cavidad de la bomba.	Elimine los residuos de la cavidad de la bomba.
Sobrecalentamiento del motor.	1. Bombeo de líquidos de alta viscosidad.	Estos líquidos solo se pueden bombear por periodos cortos de tiempo (menos de 30 minutos por ciclo de servicio).
	2. Rejilla obstruida.	Retire y limpie la rejilla.
	3. Tubería de succión restringida.	Retire y limpie la tubería.
	4. Falla del motor.	Regrese al lugar de la compra.
	5. Cierre del rotor de la bomba.	Limpie y verifique las aspas y el rotor de la bomba.
El motor no está operativo.	1. No hay energía.	Verifique la energía de entrada.
	2. Falla del interruptor.	Regrese al lugar de la compra.
	3. Falla del motor.	Regrese al lugar de la compra.
	4. Falla del protector térmico.	Regrese al lugar de la compra.
	5. Cableado suelto o incorrecto.	Verifique el cableado.

Filtración de líquido.	1. Empaquetadura de la junta defectuosa.	Verifique las empaquetaduras de la junta.
	2. Sello del eje sucio.	Limpie el sello y la cavidad del sello.
	3. Sello del eje defectuoso.	Reemplace el sello.
	4. Líquido incompatible.	Envíe la lista de piezas húmedas al productor de líquidos.
	5. Sujetadores sueltos.	Apriete los sujetadores.
La bomba emite un zumbido pero no funciona.	1. Suciedad en la cavidad de la bomba.	Limpie la cavidad de la bomba.
	2. Falla del motor.	Regrese al lugar de la compra.
	3. Llave rota.	Retire los residuos y reemplace la llave.

El **texto en negritas** indica reparaciones que no puede realizar el propietario, se debe regresar la bomba al punto de compra para realizar las reparaciones.

* Las reparaciones marcadas con un asterisco (*) requerirán del juego de reparación N° 700KTF2689. Este juego incluye un rotor de reemplazo y paletas nuevas, además de una cantidad de otros sellos y componentes importantes para completar la reparación. Los detalles del juego se encuentran en la página 13.

Accesorios

Existe una gran variedad de accesorios disponibles para ayudarle a maximizar el rendimiento de su bomba Fill-Rite. En la siguiente lista se encuentran los accesorios correspondientes disponibles para su producto en particular. Comuníquese con su distribuidor Fill-Rite autorizado para adquirir los accesorios que necesite.

Número de pieza	Descripción	700	701	710	711
1200KTF7018	Juego de filtro de 3/4 pulg. (para partículas)	X	X		
F1810PM0	Reemplazo de elemento de filtro para partículas	X	X		
1210KTF7019	Juego de filtro de 3/4 pulg. (para agua)	X	X		
F1810HM0	Reemplazo de elemento de filtro para agua	X	X		
F4010PM0	Juego de filtro de 1 pulg. (partículas de 10 micrones)			X	X
F4030PM0	Juego de filtro de 1 pulg. (partículas de 30 micrones)			X	X
700ACCF7017	Cabezal de filtro de 1 pulg.			X	X
TH13	Juego de montaje de soporte de isla o pedestal	X	X	X	X
700KTH1067	Juego de kit antisifón	X	X	X	X
FRH10012	Manguera de 1 pulg. (5,4 m [12 pies])			X	X
FRH10014	Manguera de 1 pulg. (5,4 m [14 pies])			X	X
700F1353	Manguera de 1 pulg. (5,4 m [18 pies])			X	X
FRH07512	Manguera de 3/4 pulg. (4,2 m [12 pies])	X	X		
FRH07514	Manguera de 3/4 pulg. (4,2 m [14 pies])	X	X		
N075UMN11	Boquilla 3/4 pulg.	X	X		
N075UAU10	Boquilla 3/4 pulg., automática, tubo de salida sin plomo ¿?	X	X		
N075DAU10	Boquilla 3/4 pulg., automática, tubo de salida diesel	X	X		
N100UMN11	Juego de Boquilla 1 pulg., manual, tubo de salida con plomo ¿?			X	X
KTH1402	Boquilla 1 pulg. corte automático (diesel de ultra alto flujo)			X	X
N100DAU10	Boquilla 1 pulg. corte automático (diesel de alto flujo)			X	X
FRNA075DAU10	Boquilla 3/4 pulg. corte automático (diesel: para servicio polar)	X	X		
FRNA100DAU00	Boquilla 1 pulg. corte automático (diesel: para servicio polar)			X	X

Aprobaciones de pruebas de seguridad

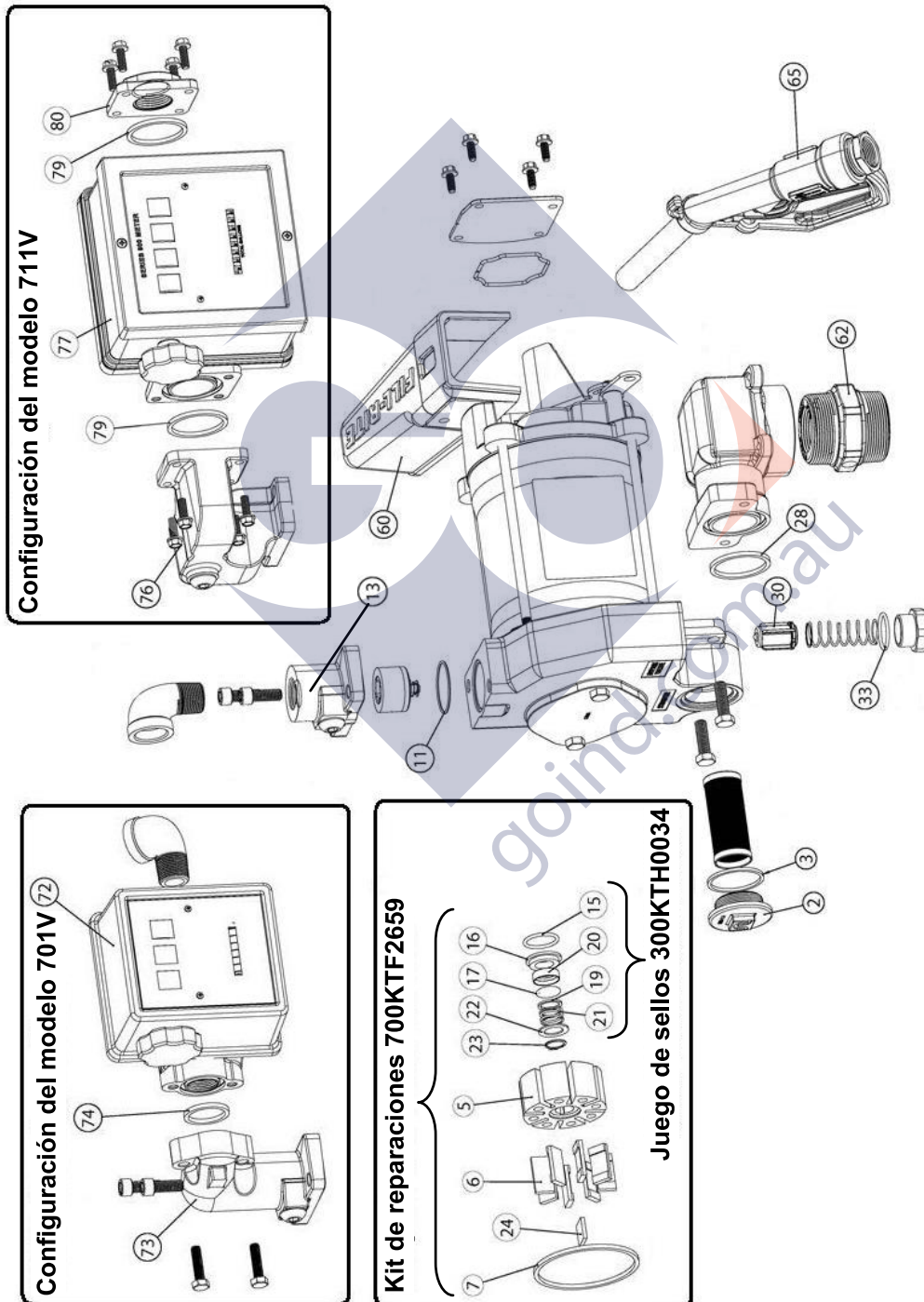
La línea de bombas **Fill-Rite** ha pasado por pruebas de seguridad para cumplir los estándares establecidos por Underwriters Laboratories (UL).



Información sobre repuestos

Para reparaciones y mantenimiento de rutina, Fill-Rite ofrece las piezas que usted necesita. El siguiente diagrama y lista de piezas cubren todas las piezas que corresponden a su producto Fill-Rite. Dichas piezas se pueden obtener por medio de un distribuidor autorizado Fill-Rite. Asegúrese de utilizar solo piezas de reemplazo originales de Fill-Rite para sus necesidades de servicio y mantenimiento. Si desea ver una lista de los distribuidores autorizados, visite nuestro sitio Web "www.fillrite.com".

Lista de piezas FR700V / FR701V / FR710V / FR711V



Piezas FR700V

Nº	Nº de pieza/juego	Descripción	Nº de juego	Cant.
2	800F4360	Cubierta de filtro maquinada		1
3	Juego de reparación 700KTF2659	Junta de nitrilo cortada en torno	Juego de sellos 30OKTH0034	1
5		Rotor		1
6		Paletas impregnadas de epoxi de carbono		8
11		Sello O-Anillo de fluorocarburo, -030		1
7		Junta de nitrilo cortada en torno		1
15		Sello O-Anillo de fluorocarburo, -120		1
16		Sello interno de carbono		1
17		Sello O-Anillo de fluorocarburo, -114		1
19		Anillo de sello		1
20		Sello interno		1
21		Resorte del sello		1
22		Arandela del eje		1
23		Anillo de retención externo de 5/8		1
24		Llave o cuña del rotor		1
28		Junta de nitrilo cortada en torno		1
30		Barra de desviación		1
33		Sello O-Anillo de nitrilo, -121		1
60		700F6673		Cubierta de la boquilla estándar fundida
62	700F0651	Adaptador de tanque maquinado AST 2 x 1-1/4		1
65	N075UMN11	Ensamble de la boquilla		1

Piezas FR701V

Nº	Número de pieza	Descripción	Cant.
72	807C	Medidor 800 (galones)	1
73	Nº de juego	Reborde de medidor	1
74	701H0934		
72	807CL	Medidor 800 (litros)	1

Piezas FR710V

Nº	Número de pieza	Descripción	Cant.
13	700H0128	Reborde de salida de 1 pulg.	1

Piezas FR711V

Nº	Número de juego de galón	Descripción	Número de juego de litro	Cant.
77	Medidor 900 (galón) Nº de juego 901MK300V	Medidor 900 (galones)	Medidor 900 (litros) Nº de juego 901LMK300V	1
76		Reborde de medidor		1
79		Junta de medidor		2
80		Conector de medidor de 1 pulg.		1
77		Medidor 900 (litros)		1



¡ADVERTENCIA! NO abra ni intente reparar el motor de su bomba Fill-Rite. Devuélvalo al lugar de la compra para realizar servicio técnico. Al abrir la carcasa del motor se puede poner en peligro la integridad de la fabricación a prueba de explosión y anulará cualquier garantía y certificación existente (lista UL).

Garantía de productos Tuthill

Tuthill Transfer Systems ("Fabricante") garantiza a cada comprador consumidor de sus productos Fill-Rite ("Comprador"), a partir de la fecha de la factura o comprobante venta, que los bienes fabricados por la empresa ("Bienes") no presentarán defectos de material ni de fabricación. La duración de la garantía es la siguiente:

- Productos para servicio pesado: dos años
- Productos para servicio estándar: un año
- Productos para servicio económico: un año
- Bombas de gabinete, piezas y accesorios: un año

La obligación exclusiva del Fabricante, de acuerdo con las garantías anteriores, se limitará, según la opción del Fabricante, a la reparación o reemplazo de los bienes defectuosos, (sujeto a limitaciones proporcionadas de aquí en adelante) o al reembolso del valor de la compra de tales Bienes pagados hasta entonces por el comprador. El único recurso de los Compradores por el incumplimiento de cualquiera de estas garantías será el cumplimiento de tales obligaciones del Fabricante. Si el Fabricante solicita la devolución de tales Bienes, éstos le serán reenviados de acuerdo con las instrucciones del fabricante, fábrica FOB. Los recursos aquí contenidos deberán constituir el recurso exclusivo del Comprador contra el Fabricante por el incumplimiento de la garantía. **EN NINGÚN CASO LA RESPONSABILIDAD DEL FABRICANTE POR CUALQUIER RECLAMO POR DAÑOS QUE SURJAN DE LA FABRICACIÓN, VENTA, ENTREGA O USO DE LOS BIENES DEBERÁ EXCEDER EL VALOR DE LA COMPRA.** Las garantías anteriores no se extenderán a bienes sujetos a uso indebido, negligencia, accidente, mantenimiento o instalación incorrecta, o que hayan sido reparados por alguien que no sea el Fabricante o sus representantes autorizados. **LAS GARANTÍAS ANTERIORES SON EXCLUSIVAS Y REEMPLAZAN TODA OTRA GARANTÍA DE COMERCIABILIDAD, IDONEIDAD PARA UN PROPÓSITO DE CUALQUIER OTRO TIPO, YA SEA EXPRESO O IMPLÍCITO.** Ninguna persona podrá variar las garantías anteriores o recursos, excepto por escrito y firmado por un trabajador debidamente autorizado por el Fabricante. La aceptación de la entrega de los Bienes al Comprador constituye la aceptación de los recursos y las garantías anteriores, al igual que todas las condiciones y limitaciones del presente documento.

Tuthill Corporation recomienda que conserve el comprobante de venta como prueba de su compra.

Los siguientes espacios se proporcionan para registrar información importante acerca de su bomba como una referencia rápida.

Número de modelo		Código de barras UPC	
Fecha de fabricación		Número de serie	
Fecha de compra		Lugar de compra	

Compatibilidad de líquidos

Combustible diesel
Solvente Stoddard

Gasolina
Heptano

Keroseno

Alcoholes minerales



¡IMPORTANTE! Si tienes dudas sobre la compatibilidad de líquidos específicos, comuníquese con el proveedor del líquido para verificar cualquier reacción adversa con los siguientes materiales húmedos: **hierro fundido, acero, acero metalizado en zinc, acero inoxidable serie 300, bronce, carbono, cerámica, poliéster, fibra, flouorocarburo, acero inoxidable serie 400, aluminio.**

Información técnica y especificaciones

Características de diseño

- Entrada: Tapón: NPT macho 2 pulg.; Tubería de succión: NPT hembra 1-1/4 pulg.
- Salida: NPT 3/4 pulg. (modelos 700/701) / NPT 1 pulg. (modelos 710/711).
- Alojamiento de la bomba de hierro fundido: rotor (compuesto) de hierro y paletas (compuestas) de carbono.
- Modelos 700 y 701 proporcionados con boquilla manual y manguera de 3/4 pulg. x 12 pies de la lista UL.
- Modelo 711 proporcionado con boquilla automática y manguera de 1 pulg. x 18 pies de la lista UL.
- Seguridad: Bomba equipada con candado (consulte la página 9 para obtener más detalles).
- Protección de sobrecarga térmica.
- Interruptor para servicios pesados.
- Ciclo de servicio de 30 minutos.
- Motor a prueba de explosión, de la lista UL 1/3 HP (115 V CA – 60 Hz) con cojinetes sellados que no necesitan mantenimiento.
- Válvula de retención integral con alivio de presión en el lado de salida que reduce la caída de presión y mejora la elevación vertical.
- Filtro de fácil acceso.
- Válvula de derivación automática.
- Base roscada de 2 pulg. para aberturas del tanque.
- Consumo de amperes constante: 115 V CA – 5,5 amperes; 230 V CA – 2,4 amperes (Factor de servicio de 1,0).

Dimensiones generales:

Modelos 700V y 710V: 35,9 cm de ancho x 42,2 cm de alto x 29,7 cm de profundidad (14,15 pulg. x 11,825 pulg. x 11,5 pulg.).

Modelo 701V: 35,9 cm de ancho x 42,2 cm de alto x 29,7 cm de profundidad (14,15 pulg. x 16,6 pulg. x 11,675 pulg.).

Modelo 711V: 38,7 cm de ancho x 40,9 cm de alto x 35,8 cm de profundidad (15,25 pulg. x 16,1 pulg. x 14,1 pulg.).

Peso de envío: **FR700V**: 24,5 kg (54 lb) / **FR701V**: 27,7 kg (61 lb) / **FR710V**: 24,5 kg (54 lb) / **FR711V**: 27,7 kg (61 lb).

Accesorios:

- Consulte la página 11 para ver una lista completa de accesorios disponibles.

Rendimiento:

- 1,72 bar (25 psi) presión máxima en la salida de la bomba.
- Hasta 75 litros (20 galones) por minuto.
- Viscosidad máxima del líquido bombeado: Combustible diesel N° 2
- Temperatura máxima de operación de la bomba (ambiente) 66° C (150° F).
- Temperatura mínima de operación de la bomba (ambiente): -40° C (40° F) (observe que la operación a -40° C 40° F requiere de “boquilla polar” y “tubo flexible polar” mostrados en la sección de accesorios en la página 11).
- Altura de succión máxima: 3 m (10 pies) para gasolina; 5,5 m (18 pies) para combustible diesel (la elevación en metros [pies] es igual a la distancia vertical desde la superficie del líquido en el tanque hasta la entrada de la bomba, MÁS las pérdidas de fricción a través de los ciclos verticales y horizontales de la tubería, todos los tubos acodados y otras conexiones. El sistema de debe ajustar para que requiera la cantidad **mínima** de altura de succión).

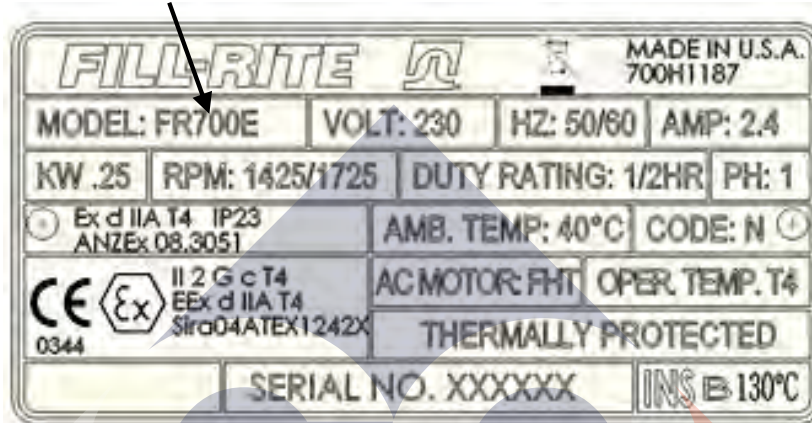


¡IMPORTANTE! Todas las conexiones roscadas en los medidores y bombas del modelo con sufijo “M” de serie 700 son roscas estándar BSP (hilo de rosca en paralelo de British Standards), **NO** roscas estándar NPT como se describe en otras partes de este manual. Asegúrese de verificar la etiqueta del modelo que está adherida al motor para estar seguro sobre qué modelo de bomba posee.

¡ATENCIÓN!

¡La siguiente información corresponde a medidores y bombas con sufijo “E” (diseñadas para su uso fuera de Estados Unidos y Canadá)! Consulte la etiqueta de información que corresponde a su bomba para ver si esto se aplica.

FR700E



Materiales de construcción

Los materiales de construcción de la superficie externa de la unidad son: acero pintado; hierro fundido pintado; aluminio pintado; acero con recubrimiento de zinc.

Los materiales de construcción de las partes húmedas son: hierro fundido, acero, acero con recubrimiento de zinc, acero inoxidable serie 300, bronce, carbono, cerámica, poliéster, fibra, fluorocarburo, acero inoxidable serie 400, aluminio.

Reparación y mantenimiento

Comuníquese con el lugar de compra para solicitar reparación y mantenimiento por garantía.

Condiciones especiales para uso seguro

Los sujetadores M8 que se utilizan para fijar el alojamiento del estator deben ser de Clase 10.9. Los sujetadores M6 que se utilizan para fijar la cubierta de los compartimientos del terminal deben ser de Clase 8.8.

Con líquidos inflamables se deben utilizar manguera y boquilla de conducción eléctrica. Para minimizar la acumulación de electricidad estática, mantenga la boquilla en contacto con el recipiente que se llene.

Instalación

La bomba se debe instalar en conformidad con la norma EN 60079-14.

Las siguientes agencias obtuvieron certificados de cumplimiento con la seguridad para productos vendidos fuera de EE.UU. y Canadá. Consulte la etiqueta en su producto para ver los datos particulares de cumplimiento.



Estándares CENELEC.



Manuel d'installation, fonctionnement et sécurité



Série 700

Pompe de transfert de carburant

Série 700V—115 et 230 volts CA

Modèles FR700V, FR701V, FR710V et FR711V

Table des matières

Table des matières	34
Merci!	34
À propos de ce manuel	34
Information sur la sécurité.....	35
Installation.....	35
Dispositif anti-siphon.....	39
Câblage électrique	40
Procédure de connexion	40
Notice d'utilisation.....	41
Verrouillage.....	41
Dépannage	41
Accessoires	43
Homologations des essais de sécurité	43
Information sur les pièces de remplacement	44
Liste des pièces FR700V / FR701V / FR710V / FR711V.....	44
Garantie du produit Tuthill.....	46
Compatibilité de fluide.....	46
Spécifications et informations techniques	47
Information du modèle 700E.....	48

Merci!

Nous vous remercions d'avoir acheté la pompe Fill-Rite série 700V. Votre produit Fill-Rite est livré soutenu par plus de 80 années d'expérience dans le domaine de la fabrication de pompe vous garantissant une valeur accompagnée d'une performance supérieure, d'un design à utilisation conviviale, d'une longue durée de vie utile et d'une ingénierie solide et simple. L'expérience qui vous donne la paix de l'esprit.

Soyez rassuré – C'est une Tuthill!

À propos de ce manuel

De la première idée à sa conception et tout au long de sa production finale, votre pompe Fill-Rite est construite de manière à vous offrir des années d'utilisation sans soucis. Pour vous assurer de ce rendement, **il est impératif que vous lisiez entièrement ce manuel avant de tenter d'installer ou de faire fonctionner votre nouvelle pompe.** Prenez connaissance des termes utilisés et des diagrammes. Portez une grande attention aux sections mises en évidence avec les étiquettes suivantes :



AVERTISSEMENT! Souligne une section dans laquelle une blessure ou même la mort pourrait en résulter si les instructions ne sont suivies correctement. Des dommages mécaniques peuvent également se produire.



IMPORTANT! Ces boîtes contiennent de l'information illustrant un point qui pourrait vous faire gagner du temps ou constitue un élément clé pour un bon fonctionnement, ou précise une étape.



ATTENTION! À défaut d'observer une « Attention » peut causer des dommages à l'équipement.

Chez Tuthill, votre satisfaction à l'égard de nos produits est primordiale pour nous. Si vous avez des questions ou vous avez besoin d'aide avec votre produit, s'il vous plaît communiquer avec nous au 1-800-634-2695 (lundi au vendredi de 8:00 à 17:00).

Information sur la sécurité



AVERTISSEMENT! L'installation électrique doit être effectuée SEULEMENT par un électricien qualifié en conformité avec les autorités locales, de l'état, et selon les codes électriques nationaux NEC/ANSI/NFPA-70, NFPA 30 et NFPA 30A comme convenu dans l'utilisation de la pompe. Conduits rigides filetés, raccords étanches et blindage du conducteur devraient être utilisés. La pompe doit être correctement mise à la terre. Une installation ou une utilisation incorrecte de cette pompe peut entraîner de graves blessures corporelles ou la mort!



AVERTISSEMENT! Pour assurer la sécurité et le bon fonctionnement de votre équipement, il est essentiel de lire et de respecter tous les avertissements de sécurité et les précautions suivantes. Une installation ou une utilisation incorrecte de ce produit peut entraîner de graves blessures corporelles ou la mort!

- 1) **NE JAMAIS** fumer à proximité de la pompe ou utiliser la pompe près de flammes nues lors d'un pompage de liquides inflammables! Il y a un risque d'incendie!
- 2) Un filtre « Fill-Rite » devrait être utilisé dans le raccordement de sortie de la pompe afin qu'aucun matériau étranger ne puisse être transféré au réservoir de carburant.
- 3) Les joints filetés et les raccords de tuyau devraient être scellés avec une pâte ou un ruban d'étanchéité approprié afin de minimiser la possibilité de fuite.
- 4) Les réservoirs de stockage doivent être solidement ancrés afin de prévenir le ballotement et le basculement lorsque vide ou plein.
- 5) Afin de minimiser les accumulations d'électricité statique, n'utilisez qu'un tuyau flexible à conducteur statique lors du pompage de fluides inflammables et gardez l'embout du pistolet en contact avec le récipient à être rempli durant le processus de remplissage.
- 6) Le moteur de la pompe est muni d'un protecteur thermique de surcharge; s'il y a une surchauffe, le moteur s'éteindra pour éviter d'endommager les enroulements. Si cela ce produit, **METTRE LA POMPE HORS FONCTION!** Lorsque le moteur sera refroidi, il démarrera sans avertissement si l'interrupteur est en position marche.



AVERTISSEMENT! Ce produit ne devrait pas être utilisé pour le transfert de fluides dans tout type d'aéronef.



AVERTISSEMENT! Ce produit n'est pas adapté pour une utilisation avec des liquides destinés à la consommation par les humains ou avec des liquides contenant de l'eau.

Installation

La pompe série 700 V de Fill-Rite est conçue afin de permettre différentes configurations de montage. Elle peut être montée sur un réservoir plate-forme en utilisant l'adaptateur de réservoir fourni avec la pompe (veuillez vous reporter aux diagrammes), montée directement sur le dessus d'un réservoir souterrain ou montée sur une dalle de béton en utilisant le socle optionnel (disponible chez votre distributeur Fill-Rite). Indépendamment du type de montage, tous les réservoirs doivent être correctement ventilés et les réservoirs installés sur palette devraient être équipés d'un dispositif anti-siphon.

La pompe de la série 700V incorpore un clapet de non-retour afin de réduire le danger d'un excès de pression dû à l'expansion thermique des fluides. La pompe dispose également d'une vanne de dérivation afin de minimiser l'usure lorsque la pompe fonctionne avec le pistolet de distribution.



AVERTISSEMENT! Dans les applications de réservoir plate-forme, assurez-vous que le réservoir est sécurisé afin qu'il ne bascule pas ou se déplace lorsque le réservoir est plein ou vide.



ATTENTION! N'utilisez pas de clapet de non-retour ou de robinet de commande au pied supplémentaires à moins qu'ils soient équipés de vannes de décharge de vapeur. Notez que les clapets de non-retour supplémentaires diminuent le débit.



ATTENTION! Un bouchon de retenue à pression peut être utilisé afin de réduire les pertes d'essence par évaporation, mais notez que cela réduira le débit.



ATTENTION! Les joints filetés et les raccords de tuyau devraient être scellés avec une pâte ou un ruban d'étanchéité approprié afin de minimiser la possibilité de fuite.

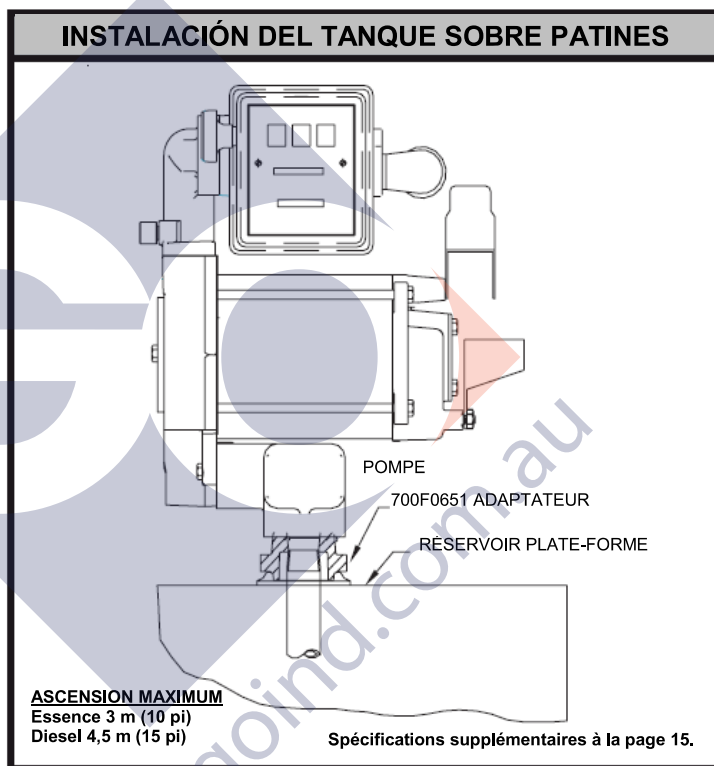
Installation courante sur réservoir plate-forme

Matériaux :

- Tuyau de 1-1/4 po coupé à une longueur qui se prolongera jusqu'à 7,6 cm (3 po) du fond du réservoir lorsqu'il sera vissé dans l'adaptateur de réservoir et que celui-ci est vissé dans la collerette du réservoir (se reporter au diagramme **INSTALLATION SUR RÉSERVOIR PLATE-FORME**).
- Utilisez une pâte d'étanchéité pour raccords filetés appropriée pour l'application.

Procédure de l'installation :

- 1) Filetez le tuyau de 1-1/4 po dans l'adaptateur du réservoir. Scellez complètement le filetage avec une pâte d'étanchéité liquide appropriée.
- 2) Vissez l'adaptateur de réservoir dans la bride du réservoir; scellez complètement le filetage avec une pâte d'étanchéité liquide appropriée.
- 3) Montez la pompe sur l'adaptateur; scellez complètement le filetage avec une pâte d'étanchéité liquide appropriée.
- 4) La corporation Tuthill recommande l'installation d'un dispositif anti-siphon (se reporter à la page 7 pour des informations détaillées).



ATTENTION! Les joints filetés et les raccords de tuyau devraient être scellés avec une pâte ou un ruban d'étanchéité approprié afin de minimiser la possibilité de fuite.

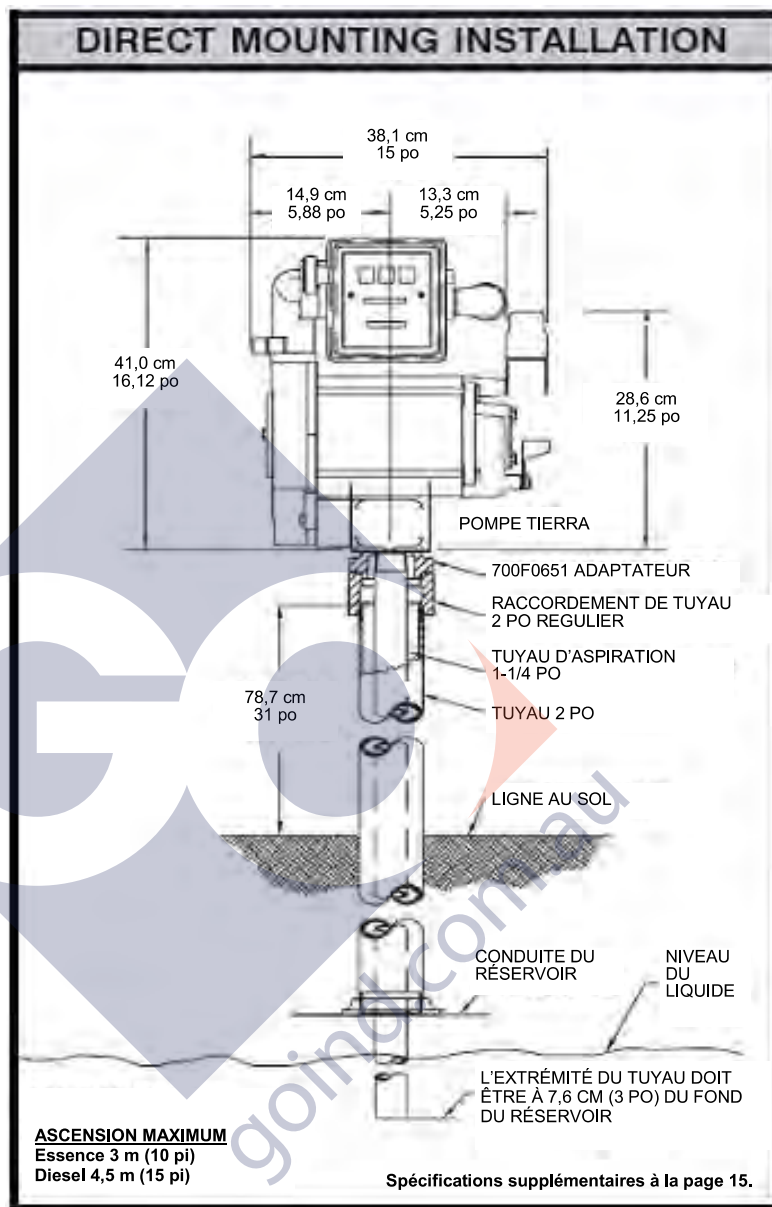
Installation courante du montage direct (à un réservoir souterrain)

Matériaux :

- Tuyau de 2 po coupé à la longueur et fileté aux deux extrémités qui s'étend sur environ 79 cm (31 po) au-dessus du sol lorsqu'il est installé dans la collerette du réservoir.
- Tuyau de 1-1/4 po coupé à une longueur qui se prolongera jusqu'à 7,6 cm (3 po) du fond du réservoir lorsqu'il sera vissé dans l'adaptateur et que celui-ci est vissé dans la conduite de l'attelage (se reporter au diagramme **INSTALLATION DU MONTAGE DIRECT**).
- Utilisez une pâte d'étanchéité pour raccords filetés appropriée pour l'application.

Procédure de l'installation :

- 1) Installez le tuyau de 2 po dans la collerette du réservoir; scellez complètement le filetage avec une pâte d'étanchéité liquide appropriée.
- 2) Vissez un raccordement de tuyau standard de 2 po sur le dessus du tuyau; scellez complètement le filetage avec une pâte d'étanchéité liquide appropriée.
- 3) Vissez le tuyau de 1-1/4 po dans l'adaptateur de réservoir. Scellez complètement le filetage avec une pâte d'étanchéité liquide appropriée.
- 4) Vissez l'adaptateur du réservoir dans le raccordement de 2 po; scellez complètement le filetage avec une pâte d'étanchéité liquide appropriée.
- 5) Montez la pompe sur l'adaptateur du réservoir; scellez complètement le filetage avec une pâte d'étanchéité liquide appropriée.



ATTENTION! Les joints filetés et les raccords de tuyau devraient être scellés avec une pâte ou un ruban d'étanchéité approprié afin de minimiser la possibilité de fuite.

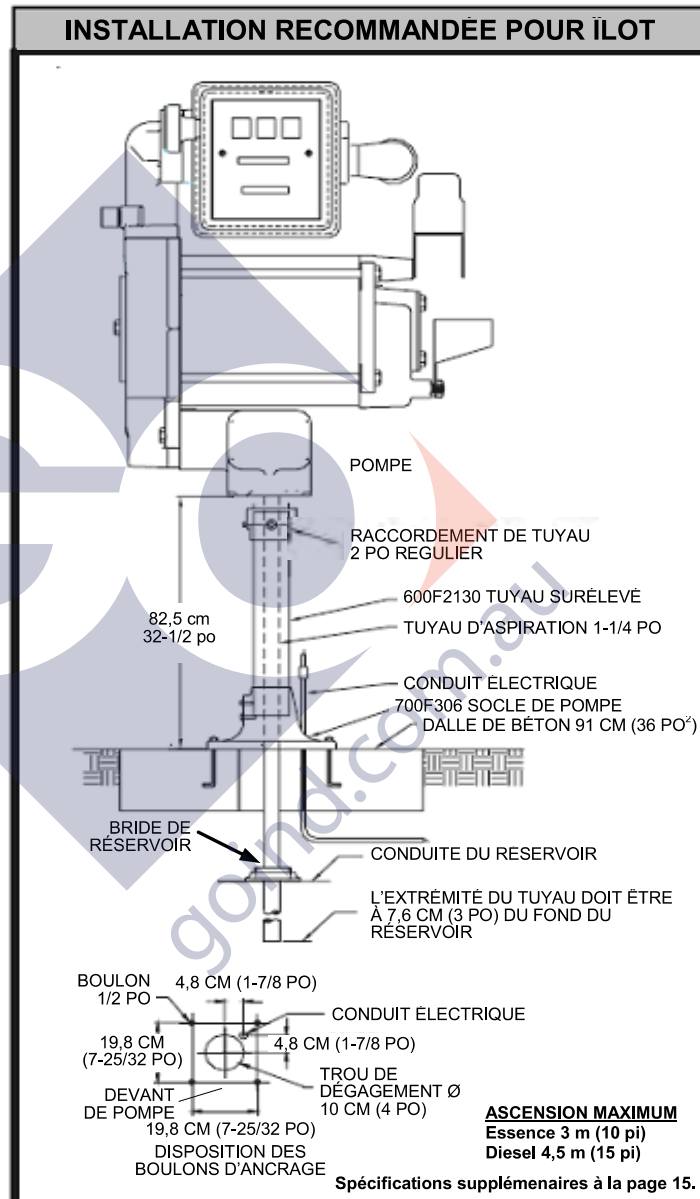
Installation courante sur dalle de béton

Matériaux :

- Coupez une conduite d'aspiration de 1-1/4 po filetée à 82,5 cm (32-1/2 po) du dessus de la dalle de béton.
-
- L'ensemble du socle TH13 (comprend le socle 600F2130, la surface d'appui à pompe 700F3060 et la bride de raccordement).
-
- Utilisez une pâte d'étanchéité pour raccords filetés appropriée pour l'application.

Procédure de l'installation :

- 1) Retirez la bride de raccordement du socle en desserrant les vis de fixation.
- 2) Insérez l'ensemble socle / surface d'appui par-dessus la conduite d'aspiration de 1-1/4 po.
- 3) Desserrez les vis de la surface d'appui afin de permettre au socle de glisser et d'exposer l'extrémité de la conduite d'aspiration.
- 4) Vissez la bride de raccordement à la conduite d'aspiration; scellez complètement le filetage avec une pâte d'étanchéité liquide appropriée.
- 5) Insérez le socle dans la bride de raccordement et vissez les vis de fixation.
- 6) Vissez les vis dans la surface d'appui.
- 7) Montez la pompe sur la bride de raccordement; scellez complètement le filetage avec une pâte d'étanchéité liquide appropriée.

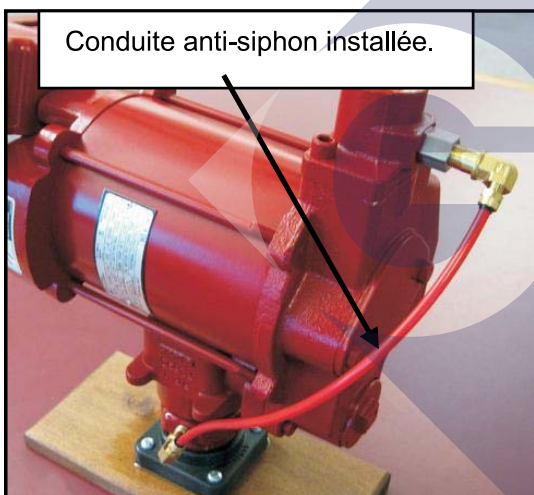


ATTENTION! Les joints filetés et les raccords de tuyau devraient être scellés avec une pâte ou un ruban d'étanchéité approprié afin de minimiser la possibilité de fuite.

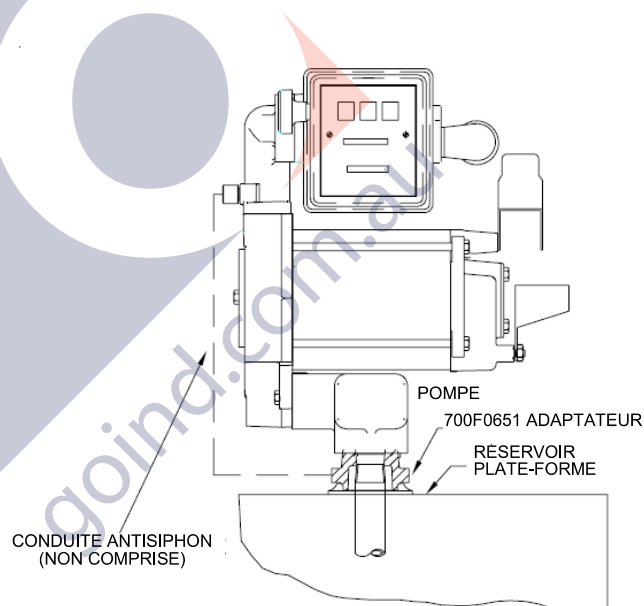
Dispositif anti-siphon

Votre pompe Série 700V est livrée de l'usine « prête » pour recevoir un dispositif anti-siphon, ce qui vous permet d'installer facilement le tuyau de retour du dispositif anti-siphon dans le réservoir. Un dispositif anti-siphon (quelque fois nommé « reniflard ») est important parce qu'il éliminera le siphonage du liquide s'il y a une buse ouverte ou si il y a une fuite sous le niveau du liquide dans le réservoir lorsque la pompe est hors fonction. Tuthill recommande qu'un dispositif anti-siphon soit installé à partir de l'orifice de sortie de la pompe à l'espace vide à vapeur du réservoir (l'ensemble n° 700KTH1067 comprend ce dispositif).

L'illustration ci-contre, démontre où et comment installer le dispositif de façon à ce qu'il termine dans l'espace à vapeur au sommet du réservoir. Le dispositif doit se terminer dans l'espace à vapeur; s'il se termine en dessous du niveau du liquide du réservoir, il ne pourra empêcher le siphonage. Il est aussi très important qu'il n'y a aucun liquide piégé dans le dispositif. Le tube doit avoir une descente continue de la pompe au réservoir. Si la pompe est installée en-dessous du réservoir, le tube peut descendre dans les deux sens depuis un seul point élevé au-dessus du réservoir. Alternativement, le tube peut être raccordé dans n'importe quelle ouverture au-dessus du réservoir si l'adaptateur de réservoir n'est pas utilisé. Utilisez des manchons réducteurs mâle-femelle tel que requis pour l'ajustement et l'étanchéité.



Nous recommandons d'utiliser un adaptateur de réservoir pour le dispositif anti-siphon avec une ouverture 1/4 NPT sur le côté de la portion hexagonale. Cette ouverture se termine dans l'espace vapeur du réservoir. Faites un raccordement solide en utilisant une pâte d'étanchéité liquide entre l'adaptateur et le dispositif anti-siphon en vous servant d'un tube en métal d'une dimension d'au moins 1/4 po et qui est compatible avec le liquide qui doit être pompé. Si l'adaptateur anti-siphon du réservoir est utilisé et l'ouverture 1/4 NPT n'est pas utilisée par le tube, laissez le bouchon installé en usine en place.



Fill-Rite offre l'ensemble Anti-siphon n° 700KTH1067 (disponible chez votre distributeur Fill-Rite). L'ensemble contient les raccords de tuyauterie et tubage nécessaires afin de compléter l'installation telle qu'illustrée dans cette section.



ATTENTION! Les joints filetés et les raccords de tuyau devraient être scellés avec une pâte ou un ruban d'étanchéité approprié afin de minimiser la possibilité de fuite.

Câblage électrique



AVERTISSEMENT! L'installation électrique doit être effectuée **SEULEMENT** par un électricien qualifié en conformité avec les autorités locales, de l'état, et selon les codes électriques nationaux NEC/ANSI/NFPA-70, NFPA 30 et NFPA 30A comme convenu dans l'utilisation de la pompe. Conduits rigides filetés, raccords étanches et blindage du conducteur devrait être utilisés. La pompe doit être correctement mise à la terre. Une installation ou une utilisation incorrecte de cette pompe peut entraîner de graves blessures corporelles ou la mort!



ATTENTION! Toutes les pompes devraient être opérées à la tension d'alimentation de courant indiquée sur la plaquette apposée sur la pompe. Le courant d'alimentation devrait être fourni à la pompe à partir d'un disjoncteur dédié de 20 ampères. Aucun autre équipement devrait être alimenté par ce circuit électrique. Le câblage doit être de dimension suffisante pour transporter adéquatement le courant électrique à la pompe. Une chute de tension varie en fonction de la distance à la pompe et de la dimension du câble; veuillez vous reporter au Code électrique national (NEC) ou aux codes du bâtiment pour la compensation en cas de chute de tension afin d'utiliser le bon câble pour votre application.

Procédure de connexion



AVERTISSEMENT! Le câble « AUX » **EST UN CÂBLE VIVANT** lorsque l'interrupteur est **activé!** Le câble AUX est isolé et enfermé lorsque livré. **NE PAS** connecter ce câble sans avoir d'abord vérifié la tension active du câble afin de connaître la compatibilité avec l'équipement installé. L'ampérage maximum sur ce câble est 1 A. Le câble AUX doit être isolé et enfermé dans la boîte de jonction s'il n'est pas utilisé.

- 1) Retirez le couvercle de la boîte de jonction et redressez les fils afin que les extrémités soient accessibles de l'extérieur de la boîte.
- 2) Connectez les fils de la pompe aux lignes d'alimentation électrique selon le diagramme. Soyez certain d'isoler correctement les connexions avec des connecteurs de fils ou d'autres types de connecteurs. Notez que le fil de mise à la terre **DOIT** être connecté.
- 3) Repliez les fils à l'intérieur de la boîte de raccordement et replacez le couvercle en vous assurant que le joint d'étanchéité est en place.

SCHÉMA DE CÂBLAGE 115 VOLTS

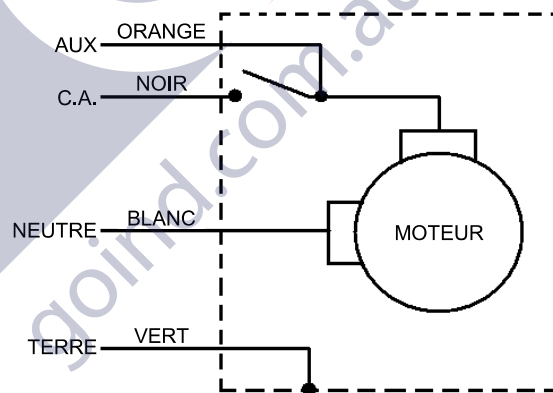
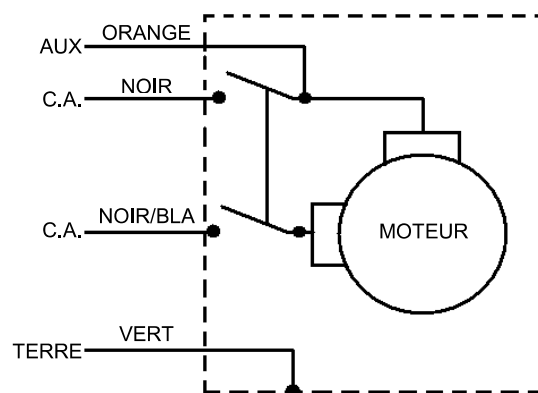


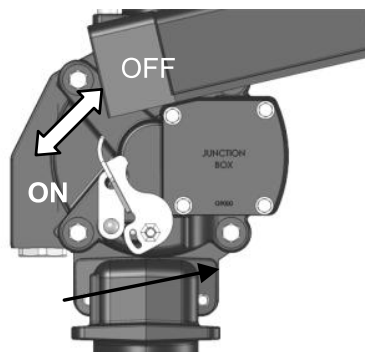
SCHÉMA DE CÂBLAGE 230 VOLTS



IMPORTANT! Vérifiez que le joint d'étanchéité du couvercle est bien en place et que les vis serrent le couvercle fermement sur la boîte de jonction. Il ne doit pas y avoir d'espace entre la boîte de jonction et son couvercle.

Notice d'utilisation

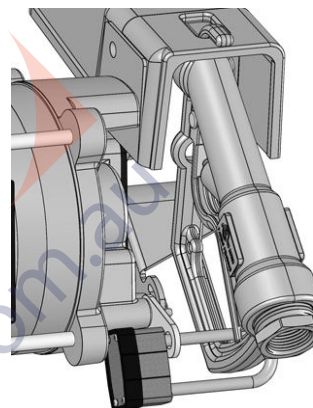
- 1) Mettez le compteur à « 0 » (le cas échéant).
- 2) Retirez le pistolet de distribution du logement de pistolet.
- 3) Déplacez le levier interrupteur à la position « MARCHE » pour alimenter la pompe.
- 4) Insérez le pistolet de distribution dans le contenant à remplir.
- 5) Actionnez le pistolet pour qu'il distribue le liquide; relâchez le pistolet lorsque la quantité de liquide désirée est atteinte.
- 6) Déplacez le levier interrupteur à la position « ARRÊT » pour désactiver la pompe.
- 7) Retirez le pistolet de distribution du contenant et remplacez-le dans son logement.



ATTENTION! Gardez toujours le pistolet en contact avec le récipient pendant le remplissage afin de minimiser le risque d'une accumulation d'électricité statique.

Verrouillage

Il est possible de poser un cadenas sur le pistolet de distribution de votre pompe Fill-Rite pour plus de sécurité. Avec la pompe hors tension et le pistolet dans son logement, un cadenas peut être inséré dans la bielle de verrouillage et l'ouverture de la poignée du pistolet. Cette configuration empêche le retrait du pistolet de son logement.



Dépannage

Le guide de dépannage qui suit a pour but de vous offrir une assistance de diagnostic élémentaire dans le cas où vous rencontreriez des anomalies dans le rendement de votre pompe Tuthill.



AVERTISSEMENT! NE PAS ouvrir ni tenter de réparer le moteur de votre pompe Tuthill. La ramener au lieu d'achat pour une réparation. L'ouverture du boîtier du moteur peut compromettre l'intégrité de sa construction à l'épreuve des explosions et annulera toute garantie en vigueur et homologation (enregistrement UL).

Si vous avez des questions concernant l'installation, le fonctionnement ou l'entretien de votre pompe, s'il vous plaît n'hésitez pas à contacter notre service à la clientèle au 1-800-634-2695 (Lundi au vendredi de 8:00 à 17:00). Vous pouvez aussi nous rejoindre sur Internet à « www.tuthill.com ».



AVERTISSEMENT! Avant d'exécuter une réparation ou un entretien, vérifiez que l'alimentation électrique a été coupée.

Symptômes	Causes	Remèdes
La pompe ne s'amorce pas.	1. Problème à la conduite d'aspiration.	Vérifiez s'il y a des fuites dans la conduite d'aspiration.
	2. Vanne de dérivation ouverte.	Retirez et inspectez la vanne; elle doit bouger librement et être sans débris.
	3. Ailettes collantes.	Vérifiez la présence d'entailles ou bavures sur les ailettes et les fentes ainsi que leur usure.
	5. Usure excessive du rotor ou des ailettes.	Inspectez le rotor et les ailettes pour voir s'il y a une usure excessive ou des dommages; remplacez si nécessaire.*
	6. Sortie bloquée.	Vérifiez si la sortie de la pompe, le tuyau, le pistolet et le filtre sont bloqués.
	7. Bouchon de vapeur.	Réduisez la distance horizontale et verticale entre la pompe et le réservoir; retirez le pistolet automatique.
Faible capacité.	1. Saleté excessive dans la crépine.	Retirez et nettoyez la crépine.
	2. Problème à la conduite d'aspiration.	Vérifiez s'il y a des fuites ou des restrictions sur la conduite d'aspiration; elle pourrait être trop petite, trop longue ou pas étanche.
	3. Vannes de dérivation collée.	Retirez et inspectez la vanne; elle doit bouger librement et être sans débris.
	4. Ailettes collantes.	Vérifiez l'usure des ailettes et des fentes.
	5. Usure excessive du rotor ou des ailettes.	Inspectez le rotor et les ailettes pour voir s'il y a une usure excessive ou des dommages; remplacez si nécessaire.*
	6. Dommage au tuyau flexible ou au pistolet de distribution.	Remplacez le tuyau flexible ou le pistolet de distribution.
	7. Filtre bouché.	Remplacez le filtre.
	8. Niveau de fluide bas.	Remplissez le réservoir.
Régime lent de la pompe.	1. Mauvaise tension du courant d'alimentation.	Vérifiez la tension du courant d'alimentation pendant que la pompe fonctionne.
	2. Ailettes collantes.	Vérifiez s'il y a des entailles ou des bavures ainsi que l'usure des ailettes et des fentes.
	3. Problème de connexion électrique.	Vérifiez le serrage des connexions.
	4. Problème de moteur.	Retournez la pompe à son lieu d'achat.
Le moteur cale.	1. Vannes de dérivation collée.	Retirez et inspectez la vanne; elle doit bouger librement et être sans débris.
	2. Tension d'alimentation basse.	Vérifiez la tension du courant d'alimentation pendant que la pompe fonctionne.
	3. Usure excessive du rotor ou des ailettes.	Vérifiez le rotor et les ailettes pour une usure excessive ou dommages.*
	4. Débris dans la cavité de la pompe.	Nettoyez les débris dans la cavité de la pompe.
Le moteur surchauffe.	1. Pompage de fluides de très haute viscosité.	Ces fluides peuvent seulement être pompés pour de courtes périodes (moins de 30 minutes par cycle de travail).
	2. Crépine bouchée.	Retirez et nettoyez la crépine.
	3. Conduite d'aspiration restreinte.	Retirez et nettoyez la conduite.
	4. Panne de moteur.	Retournez la pompe à son lieu d'achat.
	5. Le rotor de la pompe bloque.	Nettoyez et vérifiez le rotor et les ailettes.
Moteur inopérant.	1. Pas de courant d'alimentation.	Vérifiez la tension du courant d'alimentation.
	2. Défaillance de l'interrupteur.	Retournez la pompe à son lieu d'achat.
	3. Panne de moteur.	Retournez la pompe à son lieu d'achat.
	4. Défaillance de la protection thermique.	Retournez la pompe à son lieu d'achat.
	5. Connexions incorrectes/détachées.	Vérifiez les connexions.

Fuite de fluide.	1. Mauvais joint torique.	Vérifiez tous les joints toriques.
	2. Arbre de transmission encrassé.	Nettoyez le joint et la cavité du joint.
	3. Mauvais joint de l'arbre de transmission.	Remplacez le joint.
	4. Fluide incompatible.	Référez la liste de pièces mouillées au fabricant de fluide.
	5. Attaches desserrées.	Serrez les attaches.
La pompe bourdonne mais ne fonctionne pas.	1. Saleté dans la cavité de la pompe.	Nettoyez la cavité de la pompe.
	2. Panne de moteur.	Retournez la pompe à son lieu d'achat.
	3. Clé brisée.	Retirez tous les débris et remplacez la clé.

Le **texte en gras** indique les réparations qui ne peuvent être effectuées par le propriétaire; la pompe doit être retournée au point d'achat pour réparation.

* Les réparations marquées par un astérisque (*) requièrent la trousse de réparation n° 700KTF2689. Cette trousse comprend un rotor de remplacement et de nouvelles ailettes ainsi qu'un nombre important de joints et composants afin de compléter la réparation. Les détails de cette trousse sont à la page 13.

Accessoires

Une grande variété d'accessoires est disponible pour vous aider à maximiser le rendement de votre pompe Fill-Rite. Listés ci-dessous, vous trouverez les accessoires disponibles pour votre produit spécifique. Veuillez contacter votre distributeur autorisé Fill-Rite pour l'achat des accessoires.

Référence	Description	700	701	710	711
1200KTF7018	Kit de filtre 3/4 po (Particule)	X	X		
F1810PM0	Remplacement de l'élément filtrant à particules	X	X		
1210KTF7019	Kit de filtre 3/4 po (Hydrosorb)	X	X		
F1810HM0	Remplacement de l'élément filtrant Hydrosorb	X	X		
F4010PM0	Kit de filtre 1 po (Particule 10 micron)			X	X
F4030PM0	Kit de filtre 1 po (Particule 30 micron)			X	X
700ACCF7017	Tête du filtre 1 po			X	X
TH13	Kit de montage du piédestal de l'îlot	X	X	X	X
700KTH1067	Kit anti-siphon	X	X	X	X
FRH10012	Tuyau 1 po (366 cm [12 pi])			X	X
FRH10014	Tuyau 1 po (427 cm [14 pi])			X	X
700F1353	Tuyau 1 po (549 cm [18 pi])			X	X
FRH07512	Tuyau 3/4 po (366 cm [12 pi])	X	X		
FRH07514	Tuyau 3/4 po (427 cm [14 pi])	X	X		
N075UMN11	Gicleur 3/4 po	X	X		
N075UAU10	Gicleur 3/4 po, automatique, bec sans plomb	X	X		
N075DAU10	Gicleur 3/4 po, automatique, bec diesel	X	X		
N100UMN11	Kit gicleur 1 po, manuel, bec avec plomb			X	X
KTH1402	Gicleur arrêt automatique de 1 po (Diesel ultra grand débit)			X	X
N100DAU10	Gicleur arrêt automatique de 1 po (Diesel grand débit)			X	X
FRNA075DAU10	Gicleur arrêt automatique de 3/4 po (Service Arctique - Diesel)	X	X		
FRNA100DAU00	Gicleur arrêt automatique de 1 po (Service Arctique - Diesel)			X	X

Homologations des essais de sécurité

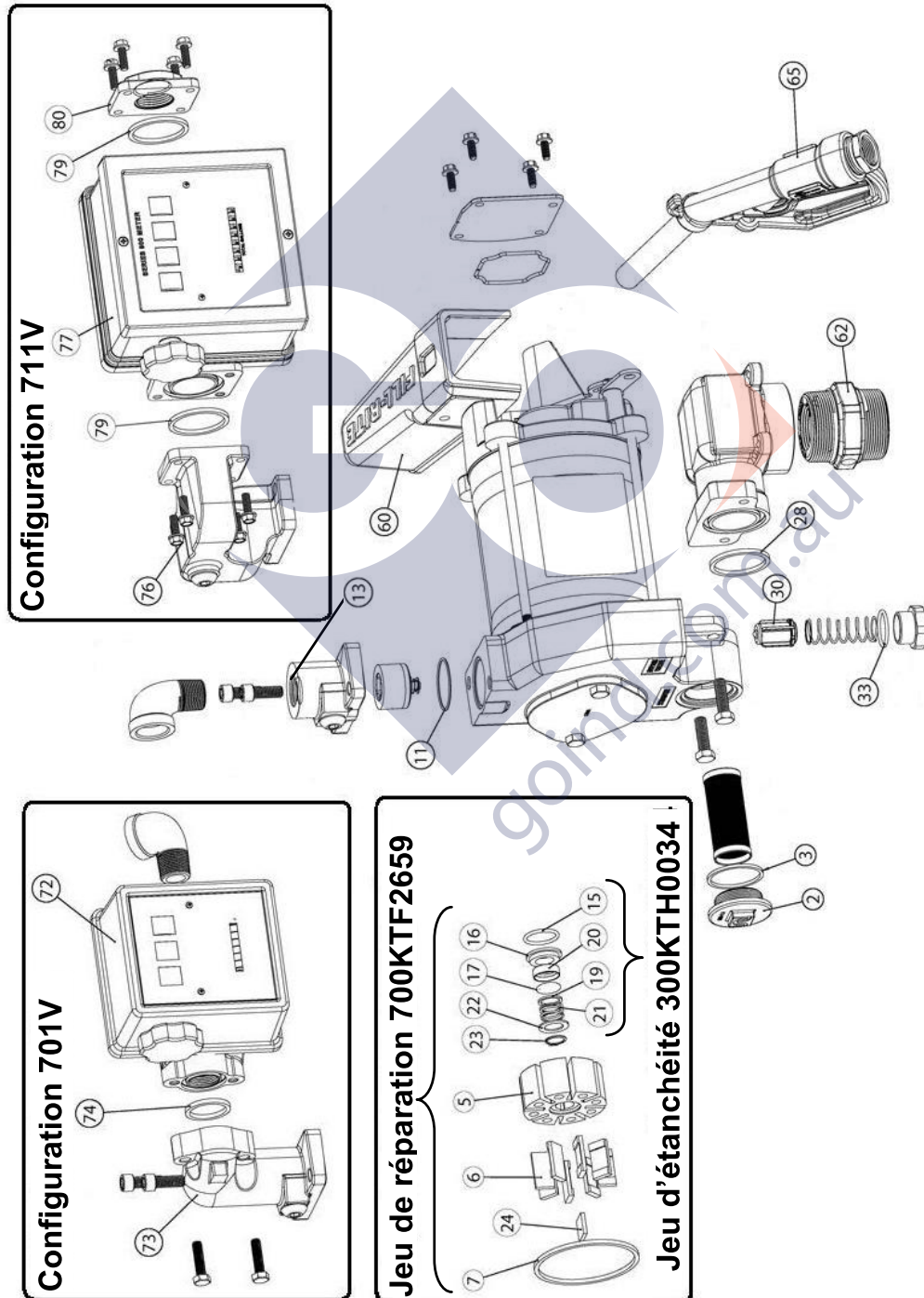
La gamme de pompes **Fill-Rite** a été testée pour la sécurité en conformité aux normes établies par les laboratoires UL.



Information sur les pièces de remplacement

Pour les réparations ou l'entretien de routine, Fill-Rite offre les pièces dont vous avez besoin. Le diagramme de pièces et la liste ci-dessous couvrent toutes les pièces applicables pour votre produit Fill-Rite. Ces pièces peuvent être obtenues chez tous les distributeurs autorisés Fill-Rite. Assurez-vous de n'utiliser que des pièces de remplacement d'origine Fill-Rite pour vos besoins de réparation et d'entretien. Pour obtenir la liste des distributeurs autorisés, veuillez consulter notre site internet à « www.fillrite.com ».

Liste des pièces FR700V / FR701V / FR710V / FR711V



Pièces FR700V

N°	N° de pièce / Ensemble	Description	N° ensemble	Qté
2	800F4360	Couvercle de crépine, usinée		1
3	Ensemble de réparation 700KTF2659	Joint, découpage au tour, nitrile	Ensemble d'étanchéité 300KTH0034	1
5		Rotor de pompe, usiné		1
6		Vanne, imprégnée de carbone et époxy		8
11		Joint torique, Flurocarbure, -030		1
7		Joint, découpage au tour, nitrile		1
15		Joint torique, Flurocarbure, -120		1
16		Joint d'étanchéité interne, Carbone		1
17		Joint torique, Flurocarbure, -114		1
19		Bague d'étanchéité		1
20		Joint d'étanchéité		1
21		Ressort, Joint		1
22		Rondelle, Arbre		1
23		Bague de retenue, Externe 5/8		1
24		Clé, Rotor		1
28		Joint, découpage au tour, nitrile		1
30		Dérivation Champignon		1
33	Joint torique, Nitrile, -121	1		
60	700F6673	Bec courbé standard, moule		1
62	700F0651	Adaptateur pour Réservoir usiné AST 2 x 1-1/4		1
65	N075UMN11	Ensemble du bec		1

Pièces FR701V

N°	Numéro de pièce	Description	Qté
72	807C	Compteur 800 (Gallon)	1
73	Ensemble n° 701H0934	Bride pour compteur	1
74		Joint, découpage au tour, nitrile	1
72	807CL	Compteur 800 (Litre)	1

Pièces FR710V

N°	Numéro de pièce	Description	Qté
13	700H0128	Bride de sortie 1 po	1

Pièces FR711V

N°	Numéro ensemble gallon	Description	Numéro ensemble litre	Qté
77	N° Ensemble Compteur 900 (Gallon) 901MK300V	Compteur 900 (Gallons)	N° ensemble Compteur 900 (Litre) 901LMK300V	1
76		Bride pour compteur		1
79		Joint d'étanchéité pour compteur		2
80		Raccord 1 po pour compteur		1
77		Compteur 900 (Litres)		1



AVERTISSEMENT! NE PAS ouvrir ni tenter de réparer le moteur de votre pompe Fill-Rite. La ramener au lieu d'achat pour une réparation. L'ouverture du boîtier du moteur peut compromettre l'intégrité de sa construction à l'épreuve des explosions et annulera toute garantie en vigueur et homologation (enregistrement UL).

Garantie du produit Tuthill

Tuthill Transfer Systems (le « fabricant ») garantit à chaque acheteur consommateur de ses produits Fill-Rite (« acheteur ») à partir de la date de facture ou du coupon de caisse, que ses biens de fabrication sont exempts de défauts de matériaux et de fabrication. La durée de la garantie est comme suit :

- Produits à service intensif – Deux ans
- Produits à service régulier – Un an
- Produits à service économique – Un an
- Armoire pour pompe, pièces et accessoires – Un an

La seule obligation du fabricant en vertu des garanties susmentionnées seront limitées soit à – au choix du fabricant – la réparation ou le remplacement des biens défectueux (sous réserve des limitations prévues ci-après) ou au remboursement du prix d'achat pour la dite marchandise, par conséquent, payée par l'acheteur, et le seul recours de l'acheteur en cas de bris des présentes garanties sera l'exécution forcée des obligations du fabricant. Si le fabricant fait la demande du retour des marchandises, celles-ci seront retournées FAB au fabricant conformément aux directives de l'usine sur le retour de marchandise. Les intimations contenues dans le présent document constituent le seul recours de l'acheteur contre le fabricant pour violation de la garantie. **EN AUCUN CAS LA RESPONSABILITÉ DU FABRICANT POUR TOUTE DEMANDE EN DOMMAGE RÉSULTANT DE LA FABRICATION, VENTE, LIVRAISON OU L'UTILISATION DES MARCHANDISES EXCÈDE LE PRIX D'ACHAT.** Les dispositions de garantie précédentes ne s'étendront pas aux marchandises soumises à des abus, négligence, d'accident, d'une mauvaise installation ou d'entretien ou qui ont été réparées par quiconque autre que le fabricant ou ses représentants autorisés. **LES DISPOSITIONS DE GARANTIES PRÉCÉDENTES SONT EXCLUSIVES ET REMPLACENT TOUTES LES AUTRES GARANTIES À L'ÉGARD DE LA QUALITÉ MARCHANDE, DE CONVENANCE À DES FINS DE TOUT AUTRE TYPE, EXPRIMÉES OU IMPLICITES.** Personne n'est autorisé à modifier les dispositions aux présentes garanties ou recours, sauf par écrit et signé par un représentant dûment autorisé du fabricant. L'acceptation par le consommateur de la livraison des marchandises constitue le consentement aux dispositions des présentes garanties et recours, et de toutes les conditions et les limites de celles-ci.

La corporation Tuthill recommande de conserver votre coupon de caisse comme preuve d'achat.

L'espace ci-dessous a été prévu pour enregistrer les informations importantes sur votre pompe pour une référence rapide.

Numéro de modèle		Code à barres CUP	
Date de fabrication		Numéro de série	
Date de l'achat		Lieu de l'achat	

Compatibilité de fluide

Carburant diesel
Solvants Stobbard

Essence
Heptane

Kérosène

Essence minérale



IMPORTANT! En cas de doute à l'égard de la compatibilité d'un fluide en particulier, veuillez communiquer avec le fournisseur du fluide afin de vérifier les réactions contraires existantes avec les matériaux mouillés suivants: **Fonte; acier; acier plaqué zinc; acier inoxydable série 300; bronze; carbone; céramique; polyester; fibre; hydrurofluorurocarbone; butadiène-styrène; acier inoxydable série 400; aluminium.**

Spécifications et informations techniques

Caractéristiques

- Raccordement d'entrée : Bonde – 2 po NPT mâle; conduite d'aspiration 1-1/4 po NPT femelle.
- Raccordement de sortie : 3/4 po NPT (modèle 700 / 701), 1 po NPT (modèle 710 / 711).
- Moulage de la pompe en fonte : Rotor en fer (composite) et ailettes en carbone (composite).
- Modèle 700 et 701 livré avec tuyau 3/4 po x 12 pi enregistré UL et pistolet manuel.
- Modèle 711 comprend un pistolet de distribution automatique et un tuyau flexible de 1 po x 18 pi enregistré UL.
- Sécurité : Pompe équipée pour le verrouillage (consultez la page 9 pour les détails).
- Protection thermique contre les surcharges.
- Interrupteur à service intense.
- Cycle de fonctionnement de 30 minutes.
- Moteur anti-déflagration enregistré UL de 1/3 HP (115 volts CA-60Hz) avec roulements à billes scellés qui ne requièrent aucun entretien.
- Clapet de décharge avec sortie de côté réduisant la perte de pression et améliore l'ascension verticale.
- Crépine facile d'accès.
- Vanne de dérivation automatique.
- Surface d'appui fileté de 2 po pour ouvertures de réservoir.
- Tension d'ampérage constante : 115 volts CA – 5,5 ampères; 230 volts CA – 2,4 ampères (facteur de fonctionnement de 1,0).

Dimension hors tout :

Modèles 700V / 710V : 35,9 cm large x 42,2 cm haut x 29,7 cm profond (14,15 po. x 11,825 po. x 11,5 po.).

Modèle 701V : 35,9 cm large x 42,2 cm haut x 29,7 cm profond (14,15 po. x 11,825 po. x 11,5 po.).

Modèle 711V : 38,7 cm large x 40,9 cm haut x 35,8 cm profond (15,25 po. x 16,1 po. x 14,1 po.).

Poids de transport : **FR700V** : 54 lb. / **FR701V** : 61 lb. / **FR710V** : 54 lb. / **FR711V** : 61 lb.

Accessoires :

- Consultez la page 11 pour une liste complète d'accessoires disponibles.

Performance :

- 1,72 bar (25 psi) pression maximum à la sortie de la pompe.
- Jusqu'à 75 litres (20 gallons) par minute.
- Viscosité maximale des fluides pompés : Carburant diesel n° 2.
- Température maximale de fonctionnement de la pompe (ambient) : 66 °C (150 °F).
- Température minimale de fonctionnement de la pompe (ambient) : - 40 °C (- 40 °F) (notez que le fonctionnement à - 40 °C (40 °F) requière le pistolet de distribution et le tuyau flexible « Arctique » que vous trouverez dans la section accessoires à la page 11).
- Aspiration maximale : 3 m (10 pi) pour l'essence; 5,5 m (18 pi) pour le carburant diesel (l'ascension en pied est égale à la distance verticale de la surface du fluide dans le réservoir jusqu'à l'entrée de la pompe, PLUS les pertes dues à la friction à travers des tuyaux horizontaux et verticaux, les coudes et autres raccords. Le système devrait être réglé pour avoir besoin d'une quantité **minimale** d'aspiration).

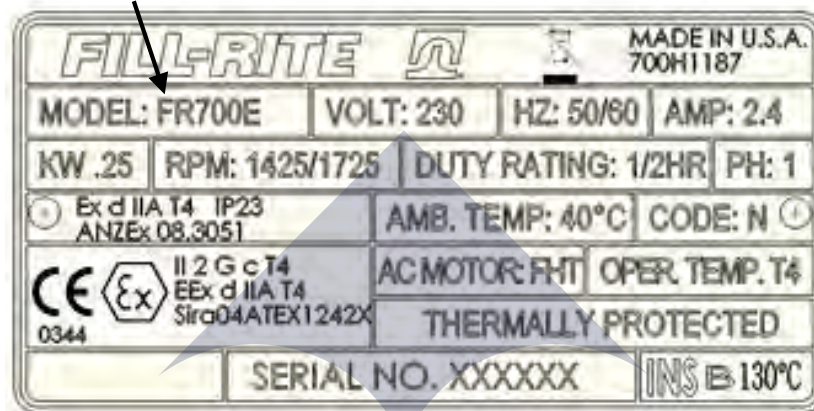


IMPORTANT! Tous les raccords filetés sur les pompes et les compteurs de la série 700 avec le suffixe « M » sont pourvus d'un filetage BSP standard. **NON** un filetage NPT standard tel que décrit ailleurs dans ce manuel. Veuillez vous reporter à l'étiquette du modèle apposée sur le moteur afin de vérifier le modèle de pompe en votre possession.

ATTENTION!

L'information qui suit concerne les pompes et compteurs portant le suffixe « E » (conçus pour une utilisation hors des États-Unis et du Canada)! Veuillez voir sur l'autocollant d'information si ceci s'applique à votre pompe.

FR700E



Matériaux de construction

Les matériaux de construction de la surface externe se composent de : Acier peint ; fonte peinte ; aluminium peint; acier plaqué zinc.

Les matériaux de construction des pièces mouillées se composent de : Fonte; acier; acier plaqué zinc; acier inoxydable série 300; bronze; carbone; céramique; polyester; fibre; hydrurofluorurocarbone; butadiène-styrène; acier inoxydable; aluminium série 400.

Réparation et entretien

Veuillez prendre contact avec le lieu d'achat pour les réparations sous garantie et l'entretien.

Conditions spéciales pour une utilisation sans risque

Les fixations M8 utilisées pour fixer le logement du stator doit être de classe 10.9. Les fixations M8 utilisées pour fixer le couvercle du compartiment des bornes doit être de classe 8,8.

Un tuyau conducteur électriquement et une buse doivent être utilisés avec les liquides inflammables. Afin de minimiser l'accumulation d'électricité statique, gardez l'embout du pistolet en contact avec le récipient en cours de remplissage.

Installation

La pompe doit être installée conformément à la norme EN 60079-14.

Les certificats de conformité de la sécurité ont été obtenus par les organismes suivants pour les produits vendus hors des États-Unis et du Canada. Veuillez vous référer à l'étiquette sur votre produit spécifique pour ses données de conformités.



CENELEC standards.





Serie 700

Kraftstofftransferpumpe

Serie 700V – 115 und 230 V~

Modelle FR700V, FR701V, FR710V und FR711V

goind.com.au

Inhalt

Inhalt.....	50
Vielen Dank!	50
Zu diesem Handbuch	50
Sicherheitsinformationen.....	51
Montage.....	51
Heberschutzvorrichtung	55
Verkabelung.....	56
Verkabelungsverfahren	56
Betriebsanweisungen.....	57
Sicherung mit Vorhängeschloss	57
Fehlersuche.....	57
Zubehör	59
Sicherheitsprüfungszulassungen.....	59
Ersatzteil-Informationen	60
Teilleiste FR700V / FR701V / FR710V / FR711V.....	60
Tuthill Produktgarantie	62
Flüssigkeitsverträglichkeit	62
Technische Informationen/Daten.....	63
700E Modellinformationen.....	64

Vielen Dank!

Vielen Dank für den Kauf einer Fill-Rite-Pumpe der Serie 700V! Das Fill-Rite Produkt wird durch mehr als 80 Jahre Erfahrung bei der Pumpenherstellung gestützt und bietet Ihnen den besten Wert, überlegene Leistung, ein benutzerfreundliches Design, lange Lebensdauer und solide, einfache Technik. Erfahrung, die Ihnen Sorgenfreiheit bietet.

Seien Sie beruhigt – es ist eine Tuthill!

Zu diesem Handbuch

Vom anfänglichen Konzept bis zur endgültigen Produktion ist die Fill-Rite-Pumpe für problemlosen Betrieb auf Jahre hinaus ausgelegt. Um diese Funktionsweise zu gewährleisten, **müssen Sie dieses gesamte Handbuch durchlesen, bevor der Einbau oder Betrieb des neuen Zählers versucht wird.** Machen Sie sich mit den Begriffen und Diagrammen vertraut und achten Sie genau auf die hervorgehobenen Bereiche mit den folgenden Bezeichnungen:



WARNUNG! Hebt einen Bereich hervor, in dem bei Nichtbefolgung der Anweisungen schwere oder tödliche Verletzungen auftreten können. Es können auch mechanische Schäden entstehen.



WICHTIG! Diese Textfelder enthalten Informationen, die auf Zeitersparnisse hinweisen, für den korrekten Betrieb wichtig sind oder einen Arbeitsschritt weiter erläutern.



VORSICHT! Bei Nichtbeachtung eines „Vorsichtshinweises“ besteht die Gefahr von Maschinenschäden.

Bei Tuthill ist Ihre Zufriedenheit mit unseren Produkten von höchster Bedeutung. Bei Fragen oder wenn Sie Hilfe mit dem Produkt benötigen, kontaktieren Sie uns bitte unter der Rufnummer 1-800-634-2695 (Mo-Fr 8.00-17.00 Uhr EST).

Sicherheitsinformationen



WARNUNG! Die Verkabelung darf NUR von einem lizenzierten Elektriker durchgeführt werden und muss dem vorgesehenen Verwendungszweck der Pumpe den geltenden örtlichen und landesweiten Vorschriften, dem technischen Regelwerk sowie NEC/ANSI/NFPA 70, NFPA 30 und NFPA 30A entsprechen. Verschraubte Kabelrohre, abgedichtete Anschlüsse und Leiterdichtungen müssen verwendet werden. Die Pumpe muss vorschriftsmäßig geerdet sein. Unsachgemäßer Einbau oder Einsatz dieser Pumpe kann zu schweren oder tödlichen Verletzungen führen!



WARNUNG! Zur Gewährleistung der sicheren und korrekten Funktionsweise des Geräts müssen alle Sicherheitswarnungen und Vorsichtsmaßnahmen gelesen und befolgt werden. Unsachgemäßer Einbau oder Einsatz dieses Produktes kann zu schweren oder tödlichen Verletzungen führen!

- 1) **NIEMALS** in der Nähe der Pumpe rauchen und die Pumpe beim Pumpen entzündlicher Flüssigkeiten nicht in der Nähe von offenen Flammen verwenden! Es besteht Brandgefahr!
- 2) Ein „Fill-Rite“-Filter muss am Auslass der Pumpe vorgesehen werden, damit keine Fremdstoffe in den Kraftstofftank eingetragen werden.
- 3) Rohrgewindeverbindungen und Anschlüsse müssen mit geeignetem Dichtmittel oder Dichtband abgedichtet werden, um die Wahrscheinlichkeit von Leckage zu minimieren.
- 4) Lagertanks müssen sicher verankert sein, damit diese beim Füllen oder Entleeren nicht kippen oder sich absetzen.
- 5) Zur Minimierung des Aufbaus statischer Elektrizität darf beim Pumpen entzündlicher Flüssigkeiten nur ein Schlauch mit einem Statikableitungsdraht verwendet werden; das Zapfventil muss während des Füllens durchgehend Kontakt mit dem Behälter haben, in den abgefüllt wird.
- 6) Der Pumpenmotor ist mit einem thermischen Überlastschutz ausgestattet; bei Überhitzung schaltet sich der Motor ab, um Schäden an den Wicklungen zu vermeiden. In diesem Fall **DIE PUMPE ABSCHALTEN!** Nachdem der Motor abgekühlt ist, schaltet er sich bei anliegender Stromversorgung ohne Vorwarnung wieder ein.



WARNUNG! Dieses Produkt darf nicht zum Transfer von Flüssigkeiten in beliebige Arten von Flugzeugen verwendet werden.



WARNUNG! Dieses Produkt ist nicht für Flüssigkeiten geeignet, die für menschlichen Verzehr geeignet sind bzw. Flüssigkeiten, die Wasser enthalten.

Montage

Die Fill-Rite-Pumpe der Serie 700V bietet verschiedene Montagemöglichkeiten. Sie kann mit dem mit der Pumpe mitgelieferten Adapter (siehe beiliegende Zeichnungen) auf einem Tank auf Schienen oder direkt auf einem unterirdischen Tank oder mit dem optionalen Sockelmontagesatz (von der Fill-Rite-Vertriebsgesellschaft erhältlich) auf einem Betonfundament montiert werden. Unabhängig von der Montageart müssen alle Tanks vorschriftsmäßig entlüftet sein und Installationen an Tanks auf Kufen müssen mit einer Heberschutzleitung ausgestattet sein.

Die Pumpe der Serie 700V verfügt über ein eingebautes Druckentlastungsventil, um unsicheren Überdruck durch die thermische Expansion der Flüssigkeit abzubauen. Sie verfügt auch über ein integriertes Bypassventil zur Minimierung von Verschleiß, wenn die Pumpe bei geschlossenem Zapfventil betrieben wird.



WARNUNG! Bei Anwendungen in auf Schienen aufgestellten Tanks muss sichergestellt sein, dass der Tank stabil ist und seine Position nicht verändern kann, wenn er entleert oder gefüllt wird.



VORSICHT! Keine zusätzlichen Rückschlagventile oder Fußventile verwenden, wenn in diese kein geeignetes Druckentlastungsventil integriert ist. Zusätzliche Rückschlagventile verringern die Durchflussrate.



VORSICHT! Zum Verlust von Kraftstoff durch Verdunstung kann ein druckfester Füllverschluss verwendet werden; dieser verringert jedoch die Durchflussrate.



VORSICHT! Rohrgewindeverbindungen und Anschlüsse müssen mit geeignetem Dichtmittel oder Dichtband abgedichtet werden, um die Wahrscheinlichkeit von Leckage zu minimieren.

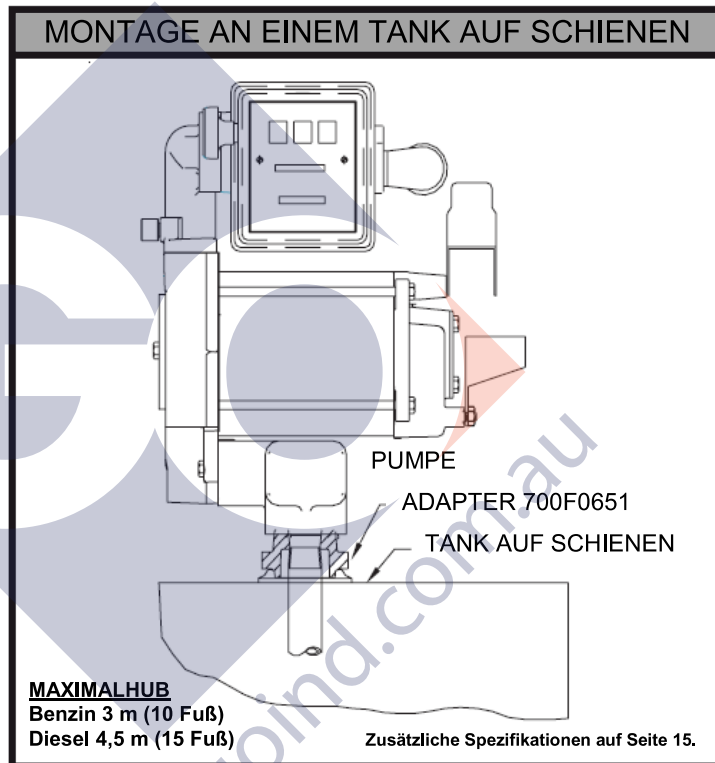
Typische Montage an einem Tank auf Schienen

Werkstoffe:

- 1-1/4-Zoll-Rohr so zugeschnitten, dass es bis 75 mm (3 Zoll) über den Tankboden reicht, wenn es in den Tankadapter eingeschraubt ist und der Tankadapter in den Tankflansch geschraubt ist (siehe Diagramm **MONTAGE AN EINEM TANK AUF SCHIENEN**).
- Für die Anwendung geeignetes Gewindedichtmittel für Rohrverschraubungen.

Montageverfahren:

- 1) Das 1-1/4-Zoll-Rohr in den Tankadapter schrauben. Das Gewinde mit einem geeigneten Gewindedichtmittel flüssigkeitsdicht abdichten.
- 2) Den Tankadapter in den Tankflansch schrauben; das Gewinde mit einem geeigneten Gewindedichtmittel flüssigkeitsdicht abdichten.
- 3) Die Pumpe am Adapter montieren; das Gewinde mit einem geeigneten Gewindedichtmittel flüssigkeitsdicht abdichten.
- 4) Tuthill empfiehlt die Montage unserer Heberschutzleitung (detaillierte Informationen sind auf Seite 7 zu finden).



VORSICHT! Rohrgewindeverbindungen und Anschlüsse müssen mit geeignetem Dichtmittel oder Dichtband abgedichtet werden, um die Wahrscheinlichkeit von Leckage zu minimieren.

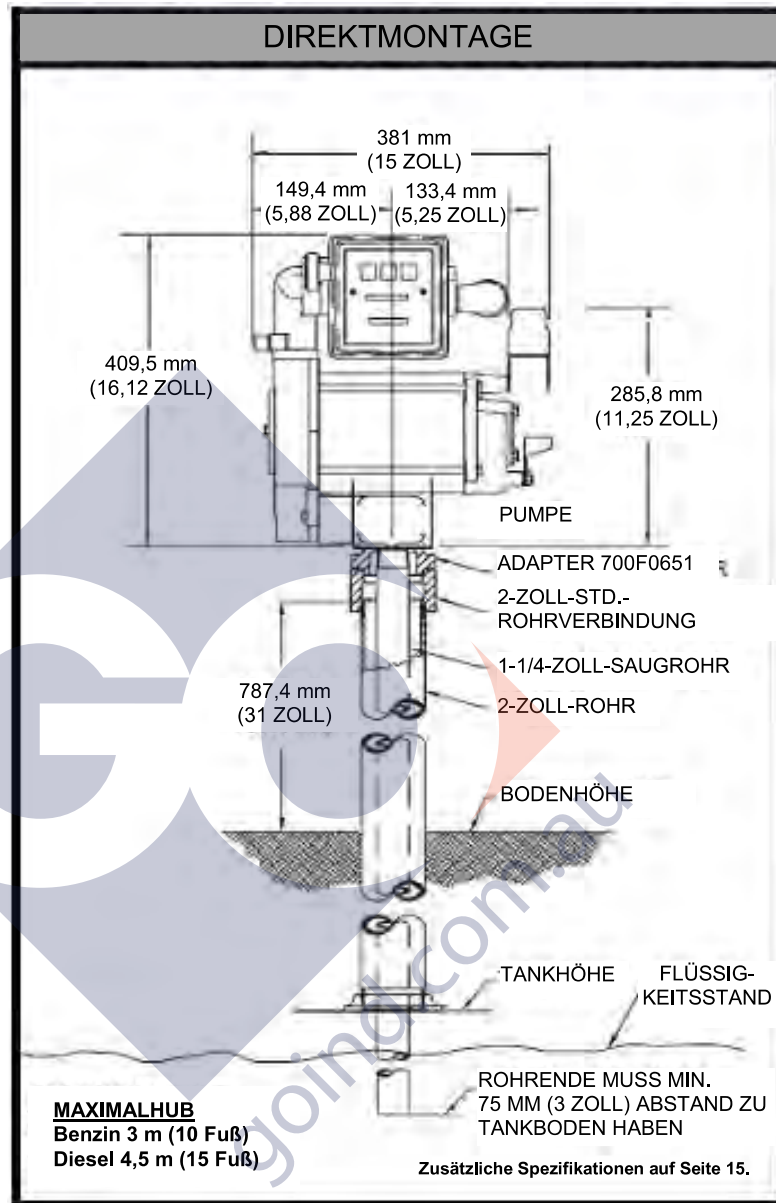
Typische Direktmontage (an einem unterirdischen Tank)

Werkstoffe:

- 2-Zoll-Rohr, auf Länge zugeschnitten und Gewinde an beiden Enden, die beim Einbau in den Tankflansch 787 mm (3 Zoll) über dem Boden liegen.
- 1-1/4-Zoll-Rohr so zugeschnitten, dass es bis 75 mm (3 Zoll) über den Tankboden reicht, wenn es in den Tankadapter eingeschraubt ist und der Tankadapter in das Rohrverbindungsstück geschraubt ist (siehe Diagramm **DIREKTMONTAGE**).
- Für die Anwendung geeignetes Gewindedichtmittel für Rohrverschraubungen.

Montageverfahren:

- 1) Das 2-Zoll-Rohr am Tankflansch montieren; das Gewinde mit einem geeigneten Gewindedichtmittel flüssigkeitsdicht abdichten.
- 2) Eine gewöhnliche 2-Zoll-Rohrverbindung oben auf das Rohr schrauben; das Gewinde mit einem geeigneten Gewindedichtmittel flüssigkeitsdicht abdichten.
- 3) Das 1-1/4-Zoll-Rohr in den Tankadapter schrauben. Das Gewinde mit einem geeigneten Dichtmittel flüssigkeitsdicht abdichten.
- 4) Den Tankadapter in die 2-Zoll-Rohrverbindung schrauben; das Gewinde mit einem geeigneten Gewindedichtmittel flüssigkeitsdicht abdichten.
- 5) Die Pumpe am Tankadapter montieren; das Gewinde mit einem geeigneten Gewindedichtmittel flüssigkeitsdicht abdichten.



VORSICHT! Rohrgewindeverbindungen und Anschlüsse müssen mit geeignetem Dichtmittel oder Dichtband abgedichtet werden, um die Wahrscheinlichkeit von Leckage zu minimieren.

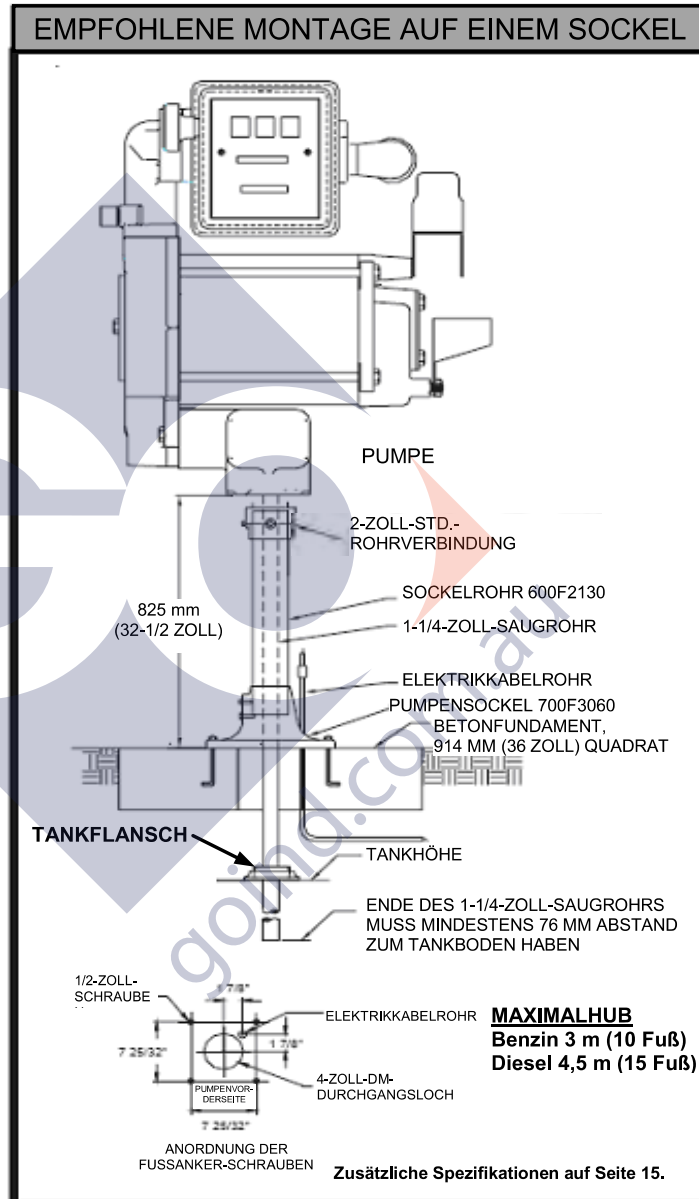
Typische Montage auf einem Sockel

Werkstoffe:

- Saugrohr mit 1-1/4-Zoll-Gewinde, zugeschnitten auf eine Höhe von 825 mm (32-1/2 Zoll) über dem Sockel.
- TH13 Sockelsatz (umfasst Sockelrohr 600F2130, Sockelfuß 700F3060 und Verbindungsstück).
- Für die Anwendung geeignetes Gewindedichtmittel für Rohrverschraubungen.

Montageverfahren:

- 1) Das Verbindungsstück vom Sockelrohr entfernen, indem die Einstellschrauben gelockert werden.
- 2) Die Baugruppe Sockelrohr/ Pumpensockelfuß auf das 1-1/4-Zoll-Saugrohr schieben.
- 3) Die Schrauben im Pumpensockel lockern, damit das Sockelrohr nach unten geschoben werden kann und damit das Ende des Saugrohrs freiliegt.
- 4) Das Verbindungsstück auf das Saugrohr schrauben; das Gewinde mit einem geeigneten Gewindedichtmittel flüssigkeitsdicht abdichten.
- 5) Das Sockelrohr in das Verbindungsstück schieben und die Einstellschrauben festziehen.
- 6) Die Schrauben im Pumpensockel festziehen.
- 7) Die Pumpe am Verbindungsstück montieren und das Gewinde mit einem geeigneten Gewindedichtmittel flüssigkeitsdicht abdichten.

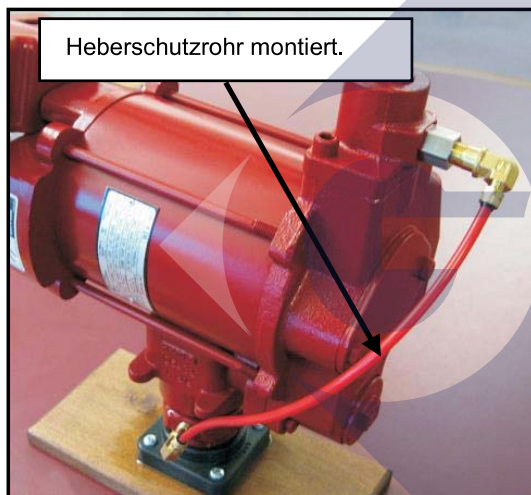
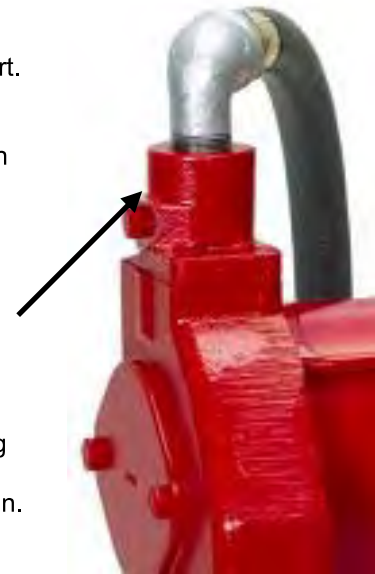


VORSICHT! Rohrgewindeverbindungen und Anschlüsse müssen mit geeignetem Dichtmittel oder Dichtband abgedichtet werden, um die Wahrscheinlichkeit von Leckage zu minimieren.

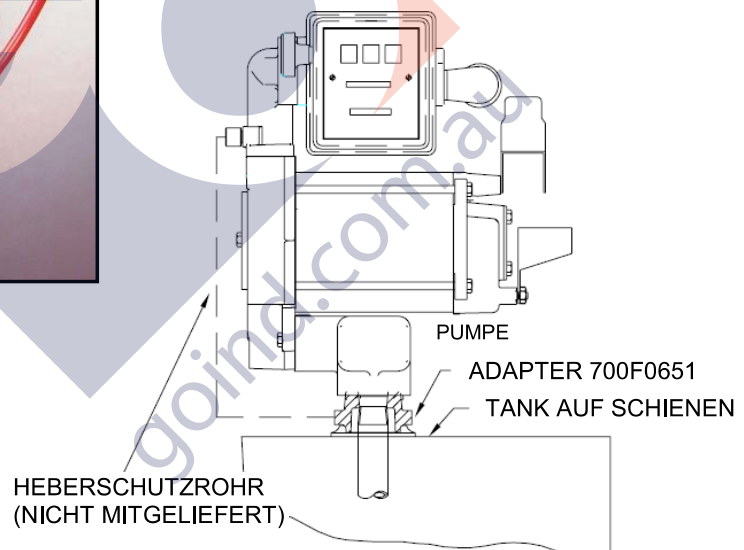
Heberschutzvorrichtung

Die Pumpe der Serie 700V wird ab Werk für die Montage einer Heberschutzleitung an der Tankrückseite vorbereitet ausgeliefert. Die Heberschutzvorrichtung (d. h. ein Vakuumunterbrecher) ist wichtig, da bei abgeschalteter Pumpe die Hebewirkung der Flüssigkeit aufgehoben wird, falls ein offenes Zapfventil oder ein undichter Schlauch unter dem Flüssigkeitsstand vorhanden ist. Tuthill empfiehlt den Einbau eines Heberschutzrohrs zwischen dem Pumpenauslass und dem Luftraum im Tank (Satz 700KTH1067 enthält dieses Rohr).

Die beigefügte Abbildung zeigt, wo und wie das Rohr montiert werden muss, damit es im Luftraum oben im Tank endet. Das Rohr muss im Luftraum enden; falls es unter dem Flüssigkeitsstand im Tank endet, wird die Heberwirkung nicht verhindert. Es ist auch sehr wichtig, dass sich in der Rohrleitung keine Flüssigkeitstaschen bilden können. Die Rohrleitung muss von der Pumpe bis hinunter zum Tank kontinuierlich geneigt sein. Wenn die Pumpe tieferliegend als der Tank montiert wird, kann die Rohrleitung von einem Scheitel über dem Tank an beiden



Seiten kontinuierlich abwärts führen. Das Rohr kann auch an eine beliebige Öffnung oben im Tank angeschlossen werden, falls der Tankadapter nicht verwendet wird. Nach Bedarf Reduzierstücke einsetzen, um die korrekte Passung und Abdichtung zu erzielen.



Wir empfehlen den Einsatz des Heberschutz-Tankadapters mit einer 1/4-Zoll-NPT-Öffnung in der Seite des Sechskants. Diese Öffnung mündet in den Luftraum des Tanks. Zwischen dem Adapter und der Heberschutzöffnung mit Metallrohren mit mindestens 1/4 Zoll Durchmesser, die für die gepumpte Flüssigkeit geeignet sind, mit einem geeigneten Dichtmittel eine flüssigkeitsdichte Verbindung herstellen. Wenn der Heberschutz-Tankadapter verwendet wird, wird die 1/4-Zoll-NPT-Öffnung nicht für das Rohr verwendet; es muss der im Werk montierte Verschluss angebracht bleiben.

Fill-Rite bietet den Heberschutzsatz 700KTH1067 an (von der Fill-Rite-Vertriebsgesellschaft erhältlich). Dieser Satz enthält die erforderlichen Anschlussstücke und Rohrleitungen, um die Installation herzustellen wie in diesem Abschnitt abgebildet.



VORSICHT! Rohrgewindeverbindungen und Anschlüsse müssen mit geeignetem Dichtmittel oder Dichtband abgedichtet werden, um die Wahrscheinlichkeit von Leckage zu minimieren.

Verkabelung



WARNUNG! Die Verkabelung darf NUR von einem lizenzierten Elektriker durchgeführt werden und muss dem vorgesehenen Verwendungszweck der Pumpe den geltenden örtlichen und landesweiten Vorschriften, dem technischen Regelwerk sowie NEC/ANSI/NFPA 70, NFPA 30 und NFPA 30A entsprechen. Verschraubte Kabelrohre, abgedichtete Anschlüsse und Leiterdichtungen müssen verwendet werden. Die Pumpe muss vorschriftsmäßig geerdet sein. Unsachgemäßer Einbau oder Einsatz dieser Pumpe kann zu schweren oder tödlichen Verletzungen führen!



VORSICHT! Alle Pumpen müssen mit der am Typenschild angegebenen Nennspannung betrieben werden. Die Spannung muss über einen eigenen 20-A-Trennschalter zur Pumpe geführt werden. Dieser Stromkreis darf keine anderen Ausrüstungen versorgen. Die Verkabelung muss ausreichend bemessen sein, um die richtige Stromstärke für die Pumpe zu liefern. Der Spannungsabfall hängt vom Abstand zur Pumpe und der Kabelgröße ab. Auf nationale, internationale und örtliche Vorschriften oder die US-Norm NEC Bezug nehmen, um den Ausgleich des Spannungsabfalls zu ermitteln und sicherzustellen, dass der korrekte Drahtdurchmesser für diese Anwendung verwendet wird.

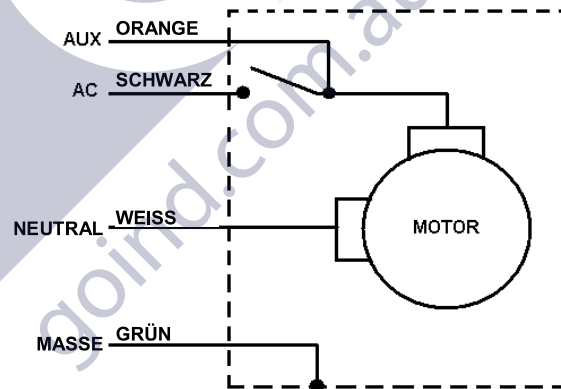
Verkabelungsverfahren



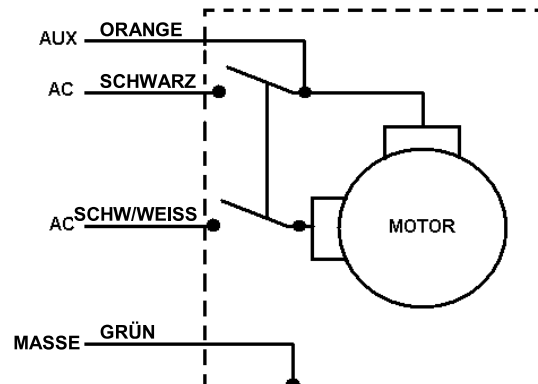
WARNUNG! Das Kabel „AUX.“ IST STROMFÜHREND, wenn der Schalter eingeschaltet ist! Das Kabel „AUX.“ ist bei der Auslieferung isoliert und abgeschirmt. Dieses Kabel NICHT anschließen, ohne erst die Nennspannung des Kabels im eingeschalteten Zustand auf Verträglichkeit mit den zu montierenden Geräten prüfen. Die maximale Stromstärke in diesem Kabel beträgt 1 A. Das Kabel „AUX.“ muss isoliert und in der Verteilerdose eingeschlossen werden, falls es nicht verwendet wird.

- 1) Den Deckel der Verteilerdose entfernen und die Drähte gerade richten, damit die abisolierten Drahtende außerhalb der Verteilerdose zugänglich sind.
- 2) Die Pumpenkabel gemäß Stromlaufplan an die Versorgungsleitungen anschließen. Darauf achten, dass die Anschlüsse mit geeigneten Kabelmuttern und anderen Steckverbindern vorschriftsmäßig isoliert werden. Es ist zu beachten, dass das Massekabel angeschlossen werden **MUSS**.
- 3) Die Kabel in die Verteilerdose schichten und den Deckel anbringen. Sicherstellen, dass die Deckeldichtung korrekt sitzt.

115 V STROMLAUFPLAN



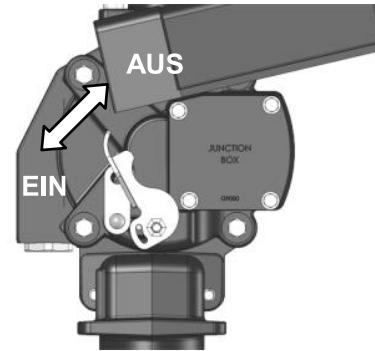
230 V STROMLAUFPLAN



WICHTIG! Darauf achten, dass die Dichtung für den Deckel der Verteilerdose aufgesetzt ist. Die Schrauben ziehen den Deckel dicht gegen die Verteilerdose fest. Es darf kein Spalt zwischen Verteilerdose und Deckel vorhanden sein.

Betriebsanweisungen

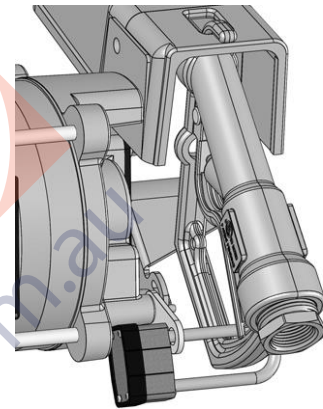
- 1) Den Zähler auf „0“ zurücksetzen (sofern zutreffend).
- 2) Das Zapfventil aus der Halterung nehmen.
- 3) Den Schalthebel auf EIN stellen, um die Pumpe einzuschalten.
- 4) Das Zapfventil in den Behälter stecken, der gefüllt werden soll.
- 5) Das Zapfventil betätigen, um Flüssigkeit zu pumpen; das Zapfventil loslassen, nachdem die gewünschte Flüssigkeitsmenge abgegeben wurde.
- 6) Den Schalthebel hinunter auf AUS stellen, um die Pumpe auszuschalten.
- 7) Das Zapfventil aus dem Behälter nehmen und in der Halterung unterbringen.



VORSICHT! Das Zapfventil **beim Füllen** stets in Kontakt mit dem Behälter halten, der gefüllt wird, um die Möglichkeit statischer Aufladung zu minimieren.

Sicherung mit Vorhängeschloss

Das Zapfventil der Fill-Rite-Pumpe kann aus Sicherheitsgründen mit einem Vorhängeschloss gesichert werden. Wenn die Pumpe abgeschaltet und das Zapfventil in der Halterung ist, kann ein Vorhängeschloss durch den Schlossriegel und die Öffnung des Zapfventil-Auslösehebels eingesetzt werden. Bei dieser Anordnung kann das Zapfventil nicht aus dem Zapfventilhalter entnommen werden.



Fehlersuche

Die folgende „Anleitung zur Fehlersuche“ enthält grundlegende Diagnoseinformationen, mit denen eine ungewöhnliche Funktionsweise des Tuthill-Produktes untersucht werden kann.



WARNUNG! KEINESFALLS den Motor der Tuthill-Pumpe öffnen oder zu reparieren versuchen. Er muss an die Verkaufsstelle zurückgebracht werden. Wenn das Motorgehäuse geöffnet wird, kann dies die explosionssichere Bauweise beeinträchtigen. Dadurch wird außerdem die Garantie und Zulassung (UL Listing) ungültig.

Bei Fragen zum Einbau, Betrieb oder zur Instandhaltung des Produktes kontaktieren Sie bitte unsere Kundendienstabteilung unter der Rufnummer 1-800-634-2695 (Mo-Fr 8.00 – 17.00 Uhr EST). Sie erreichen uns auch im World Wide Web unter „www.tuthill.com“.



WARNUNG! Sicherstellen, dass die gesamte Stromversorgung zur Pumpe abgetrennt wird, bevor Wartungs- oder Instandsetzungsarbeiten durchgeführt werden.

Symptom	Ursache	Abhilfe
Pumpe lässt sich nicht vorfüllen.	1. Problem in Saugleitung.	Auf Lecks in Saugleitung prüfen.
	2. Bypassventil ist offen.	Ventil ausbauen und prüfen; es muss frei beweglich und rückstandsfrei sein.
	3. Schieber klemmen.	Schieber und Kanäle auf Kerben, Grate und Verschleiß prüfen.*
	4. Übermäßiger Rotor- oder Schieberverschleiß.	Rotor und Schieber auf starken Verschleiß oder Schäden prüfen; gegebenenfalls austauschen.*
	5. Blockierung in Auslass.	Pumpenauslass, Schlauch, Zapfventil und Filter auf Blockierung prüfen.
	6. Dampfblasenbildung	Vertikalen und horizontalen Abstand von Pumpe zu Flüssigkeit verringern; automatische Zapfventile entfernen.
Mangelhafte Förderleistung.	1. Zu viel Schmutz im Sieb.	Sieb ausbauen und reinigen.
	2. Problem in Saugleitung.	Saugleitung auf Lecks oder Blockierungen prüfen; sie kann zu klein, lang oder nicht luftdicht sein.
	3. Bypassventil klemmt.	Ventil ausbauen und prüfen; es muss frei beweglich und rückstandsfrei sein.
	4. Schieber klemmen.	Schieber und Kanäle auf Verschleiß prüfen.
	5. Übermäßiger Rotor- oder Schieberverschleiß.	Rotor und Schieber auf starken Verschleiß oder Schäden prüfen; gegebenenfalls austauschen.*
	6. Schlauch oder Zapfventil ist beschädigt.	Schlauch oder Zapfventil austauschen.
	7. Filter verstopft.	Filter austauschen.
	8. Niedriger Flüssigkeitsstand.	Tank füllen.
Pumpe läuft langsam.	1. Falsche Spannung.	Versorgungsspannung bei laufender Pumpe prüfen.
	2. Schieber klemmen.	Schieber und Kanäle auf Kerben, Grate und Verschleiß prüfen.*
	3. Verkabelungsproblem.	Auf lose Anschlussstellen prüfen.
	4. Motorproblem.	Zur Verkaufsstelle zurückbringen.
Motor stirbt ab.	1. Bypassventil klemmt.	Ventil ausbauen und prüfen; es muss frei beweglich und rückstandsfrei sein.
	2. Niedrige Spannung.	Versorgungsspannung bei laufender Pumpe prüfen.
	3. Übermäßiger Rotor- oder Schieberverschleiß.	Rotor und Schieber auf starken Verschleiß oder Schäden prüfen.*
	4. Rückstände in Pumpenkammer.	Rückstände aus Pumpenkammer reinigen.
Motor überhitzt.	1. Pumpen von hochviskosen Flüssigkeiten.	Diese Flüssigkeiten dürfen nur kurz (weniger als 30 Minuten Einschaltdauer) gepumpt werden.
	2. Verstopftes Sieb.	Sieb ausbauen und reinigen.
	3. Verstopfte Saugleitung.	Rohr ausbauen und reinigen.
	4. Motorausfall.	Zur Verkaufsstelle zurückbringen.
	5. Pumpenrotor blockiert.	Pumpenrotor und Schieber reinigen und prüfen.
Motor ist funktionsunfähig.	1. Keine Stromversorgung.	Stromversorgung prüfen.
	2. Schalterausfall.	Zur Verkaufsstelle zurückbringen.
	3. Motorausfall.	Zur Verkaufsstelle zurückbringen.
	4. Thermischer Überlastschutz defekt.	Zur Verkaufsstelle zurückbringen.
	5. Falsche/lockere Verkabelung.	Verkabelung prüfen.

Flüssigkeitsleck.	1. Mangelhafte O-Ring-Dichtung.	Alle O-Ring-Dichtungen prüfen.
	2. Verschmutzter Wellendichtring.	Dichtring und Dichtungsraum reinigen.
	3. Defekte Wellendichtring.	Dichtring austauschen.
	4. Verträgliche Flüssigkeiten.	Liste der benetzten Werkstoffe dem Flüssigkeitshersteller vorlegen.
	5. Lockere Befestigungsteile.	Befestigungsteile festziehen.
Pumpe summt, lässt sich aber nicht betreiben.	1. Schmutz in Pumpenkammer.	Pumpenkammer reinigen.
	2. Motorausfall.	Zur Verkaufsstelle zurückbringen.
	3. Gebrochene Passfeder.	Alle Rückstände entfernen und Passfeder austauschen.

Fettgedruckter Text weist auf Reparaturen hin, die der Eigentümer nicht selbst durchführen kann; die Pumpe muss zur Reparatur an die Verkaufsstelle zurückgebracht werden.

* Bei mit einem Sternchen (*) gekennzeichneten Reparaturen ist der Reparatursatz 700KTF2689 erforderlich. Dieser Satz enthält einen Ersatzrotor und neue Schieber sowie einige andere wichtige Dichtungen und Komponenten, die für die Reparatur benötigt werden. Einzelheiten zu diesem Satz sind auf Seite 13 angegeben.

Zubehör

Es sind zahlreiche verschiedene Zubehörteile erhältlich, damit Sie die Leistung der Fill-Rite-Pumpe maximieren können. Es folgt eine Liste der Zubehörteile, die für das jeweilige Produkt geeignet sind. Wenden Sie sich an die Fill-Rite Vertriebsgesellschaft, um die benötigten Zubehörteile zu erwerben.

Teilenummer	Beschreibung	700	701	710	711
1200KTF7018	3/4-Zoll-Filtersatz (Partikel)	X	X		
F1810PM0	Ersatz-Partikelfiltereinsatz	X	X		
1210KTF7019	3/4-Zoll-Filtersatz (Hydrosorb)	X	X		
F1810HM0	Ersatz-Hydrosorb-Filtereinsatz	X	X		
F4010PM0	1-Zoll-Filtersatz (Partikel, 10 µm)			X	X
F4030PM0	1-Zoll-Filtersatz (Partikel, 30 µm)			X	X
700ACCF7017	1-Zoll-Filterkopf			X	X
TH13	Sockelmontagesatz	X	X	X	X
700KTH1067	Heberschutzsatz	X	X	X	X
FRH10012	1-Zoll-Schlauch (3,65 m [12 Fuß])			X	X
FRH10014	1-Zoll-Schlauch (4,27 m [14 Fuß])			X	X
700F1353	1-Zoll-Schlauch (5,49 m [18 Fuß])			X	X
FRH07512	3/4-Zoll-Schlauch (3,65 m [12 Fuß])	X	X		
FRH07514	3/4-Zoll-Schlauch (4,27 m [14 Fuß])	X	X		
N075UMN11	3/4-Zoll-Zapfventil	X	X		
N075UAU10	3/4-Zoll-Zapfventil, automatisch, bleifreie Zapfdüse	X	X		
N075DAU10	3/4-Zoll-Zapfventil, automatisch, Diesel-Zapfdüse	X	X		
N100UMN11	1-Zoll-Zapfventilsatz, Manuelle Zapfdüse, bleifrei			X	X
KTH1402	1-Zoll-Zapfventil mit Abschaltautomatik (extrem hoher Durchfluss, Diesel)			X	X
N100DAU10	1-Zoll-Zapfventil mit Abschaltautomatik (hoher Durchfluss, Diesel)			X	X
FRNA075DAU10	3/4-Zoll-Zapfventil mit Abschaltautomatik (für Arktik, Diesel)	X	X		
FRNA100DAU00	1-Zoll-Zapfventil mit Abschaltautomatik (für Arktik, Diesel)			X	X

Sicherheitsprüfungszulassungen

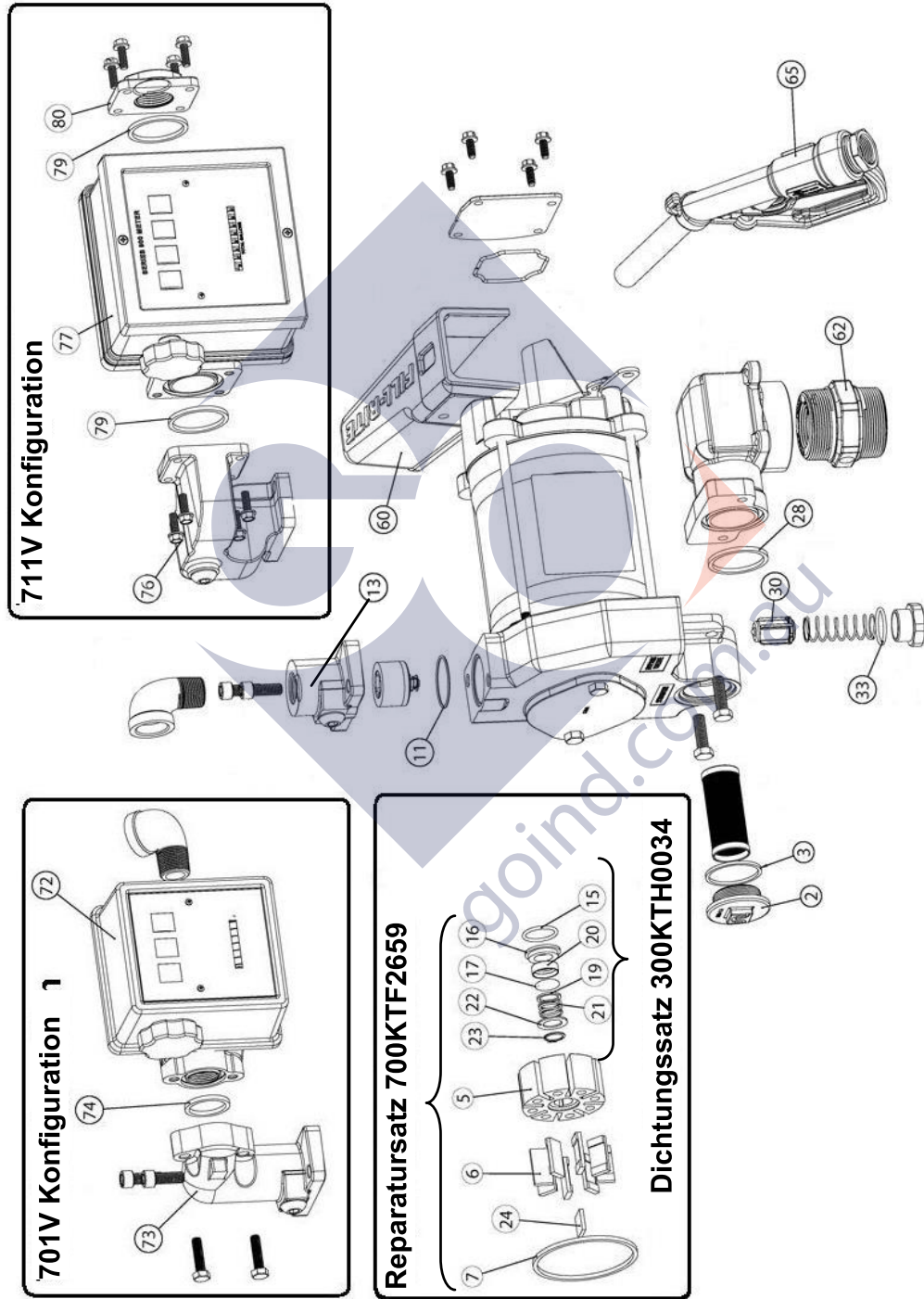
Die **Fill-Rite**-Pumpen wurden auf Konformität mit den Normen geprüft, die von Underwriters Laboratories vorgeschrieben werden.



Ersatzteil-Informationen

Für Reparaturen oder routinemäßige Wartung bietet Fill-Rite die benötigten Teile. Die folgende Explosionszeichnung und Teileliste enthält alle Teile für das Fill-Rite-Produkt. Diese Teile können bei einem Fill-Rite-Vertragshändler erhalten werden. Sicherstellen, dass bei der Wartung und Instandsetzung nur Original-Fill-Rite-Ersatzteile verwendet werden. Eine Liste von Vertragshändlern ist auf unserer Website www.fillrite.com zu finden.

Teileliste FR700V / FR701V / FR710V / FR711V



Teile FR700V

Posten	Teile-/Satz-Nr.	Beschreibung	Satz-Nr.	Menge
2	800F4360	Siebabdeckung, maschinell bearbeitet		1
3	Reparatursatz 700KTF2659	Dichtung, auf Drehbank geschnitten, Nitril	Dichtungssatz 300KTH0034	1
5		Pumpenrotor, maschinell bearbeitet		1
6		Schieber, mit Kohlenstoff-Epoxyharz beschichtet		8
11		O-Ring, Fluorkohlenstoff, -030		1
7		Dichtung, auf Drehbank geschnitten, Nitril		1
15		O-Ring, Fuorkohlenstoff, -120		1
16		Innere Dichtung, Kohle		1
17		O-Ring, Fuorkohlenstoff, -114		1
19		Dichtungsring		1
20		Innere Dichtung		1
21		Federdichtung		1
22		Unterlegscheibe, Welle		1
23		Sicherungsring, extern 5/8		1
24		Passfeder, Rotor		1
28		Dichtung, auf Drehbank geschnitten, Nitril		1
30		Bypass-Ventilteller		1
33		O-Ring, Nitril, -121		1
60		700F6673		Standard-Zapfventilhalterung, Gussteil
62	700F0651	Maschinell bearbeiteter Tankadapter AST 2 x 1-1/4		1
65	N075UMN11	Zapfventil-Baugruppe		1

Teile FR701V

Posten	Teilenummer	Beschreibung	Menge
72	807C	Zähler 800 (US-Gallone)	1
73	Satz-Nr. 701H0934	Zählerflansch	1
74		Dichtung, auf Drehbank geschnitten, Nitril	1
72	807CL	Zähler 800 (Liter)	1

Teile FR710V

Posten	Teilenummer	Beschreibung	Menge
13	700H0128	1-Zoll-Auslassflansch	1

Teile FR711V

Posten	US-Gallonen – Satz-Nr.	Beschreibung	Liter – Satz-Nr.	Menge
77	Zähler 900 (US-Gallone) Satz-Nr. 901MK300V	Zähler 900 (US-Gallone)	Zähler 900 (Liter) Satz-Nr. 901LMK300V	1
76		Zählerflansch		1
79		Zählerdichtung		2
80		1-Zoll-Zählerverschraubung		1
77		Zähler 900 (Liter)		1



WARNUNG! KEINESFALLS den Motor der Fill-Rite-Pumpe öffnen oder zu reparieren versuchen. Er muss an die Verkaufsstelle zurückgebracht werden. Wenn das Motorgehäuse geöffnet wird, kann dies die explosions sichere Bauweise beeinträchtigen. Dadurch wird außerdem die Garantie und Zulassung (UL Listing) ungültig.

Tuthill Produktgarantie

Tuthill Transfer Systems (der „Hersteller“) garantiert jedem Käufer von Fill-Rite-Produkten (dem „Käufer“) ab dem Datum des Rechnungsbelegs oder der Verkaufsbestätigung, dass die hergestellten Waren („Waren“) frei von Werkstoffmängeln und Fertigungsfehlern sein werden. Garantiedauer:

- Heavy Duty Produkte – zwei Jahre
- Standard-Produktausführungen – ein Jahr
- Economy-Produktausführungen – ein Jahr
- Schrankpumpen, Teile und Zubehör – ein Jahr

Die einzige Verpflichtung des Herstellers unter dieser Garantie ist nach Wahl des Herstellers beschränkt auf den Ersatz oder die Reparatur der defekten Waren (unterliegt später angeführten Einschränkungen) oder die Rückerstattung des Kaufpreises für solche Waren, der vom Käufer bezahlt wurde; und das ausschließliche Rechtsmittel des Kunden bei Verstoß gegen solche Garantien ist die Durchsetzung dieser Verpflichtung gegenüber dem Hersteller. Falls der Hersteller die Rücksendung der Waren anfordert, sind die Waren den Anweisungen des Herstellers entsprechend freigemacht an das Werk zu senden. Die hier enthaltenen Abhilfen sind das einzige Rechtsmittel des Käufers gegenüber dem Hersteller bei einem Verstoß gegen die Garantiebestimmungen. **IN KEINEM FALL HAFTET DER HERSTELLER FÜR ANSPRÜCHE BEI SCHÄDEN AUFGRUND DER FERTIGUNG, DES VERKAUFS, DER LIEFERUNG ODER DER NUTZUNG DER WAREN, DIE HÖHER ALS DER VERKAUFSPREIS SIND.** Die vorstehende Garantie erstreckt sich nicht auf Waren, die misshandelt oder vernachlässigt wurden, Unfällen ausgesetzt waren, falsch installiert oder gewartet wurden oder die von jemandem anderen als dem Hersteller oder seiner autorisierten Vertretung repariert wurden. **DIE VORSTEHENDE GARANTIE IST AUSSCHLIESSLICH UND GILT ANSTELLE ALLER ANDEREN GARANTIEN DER HANDELSÜBLICHEN QUALITÄT, EIGNUNG FÜR EINEN BESTIMMTEN ZWECK ODER BELIEBIGE ANDERE ART VON GARANTIE – AUSDRÜCKLICH ODER STILLSCHWEIGEND.** Die vorstehende Garantie und Abhilfen dürfen von niemanden geändert werden, außer schriftlich unterzeichnet von einem befugten Vorstandsmitglied des Herstellers. Die Entgegennahme der zugestellten Waren durch den Käufer stellt die Annahme der vorstehenden Garantien und Abhilfen sowie allen Bedingungen und Einschränkungen dieser Garantie dar.

Tuthill Corporation empfiehlt, dass Sie die Quittung als Verkaufsbeleg aufheben.

Der folgende Freiraum bietet Platz zum Eintragen wichtiger Informationen über die Pumpe zwecks rascher Bezugnahme.

Modellnummer		UPC-Barcode	
Herstellungsdatum		Seriennummer	
Kaufdatum		Kauf-ort	

Flüssigkeitsverträglichkeit

Dieselmotorkraftstoff

Benzin

Kerosin

Mineralöle

Stoddard-Lösungsmittel

Heptan



WICHTIG! Wenn die Verträglichkeit einer bestimmten Flüssigkeit nicht gesichert ist, den Flüssigkeitslieferanten kontaktieren und nach nachteiligen Reaktionen mit folgenden benetzten Werkstoffen fragen: **Gusseisen; Stahl; verzinkter Stahl; Edelstahl der Serie 300; Bronze; Kohle; Keramik; Polyester; Fasern; Fluorkohlenstoff; Buna; Edelstahl der Serie 400; Aluminium.**

Technische Informationen/Daten

Funktionsmerkmale

- Einlass: Bung – 2-Zoll-NPT-Außengewinde; Saugrohr – 1-1/4-Zoll-NPT-Innengewinde.
- Auslass: 3/4-Zoll-NPT (Modell 700/701) / 1-Zoll-NPT (Modell 710/711).
- Pumpengehäuse aus Gusseisen: Eisenrotor (Verbundwerkstoff) und Schieber aus Kohle (Verbundwerkstoff).
- Modelle 700/701 Mit 3/4 Zoll x 3,65 m (12 Fuß) langem Schlauch (UL-Listing) und manuellem Zapfventil geliefert.
- Modell 711 Mit 1 Zoll x 5,49 m (18 Fuß) langem Schlauch (UL-Listing) und automatischem Zapfventil geliefert.
- Sicherheit: Pumpe zum Anbringen eines Vorhängeschlosses geeignet (Details siehe Seite 9).
- Thermischer Überlastschutz.
- Robuster Schalter.
- 30-Minuten-Arbeitszyklus.
- Explosionssicherer Motor, UL-Listing, 0,33 PS (115 V~, 60 Hz) mit versiegelten wartungsfreien Lagern.
- Integriertes Rückschlagventil mit Druckentlastung an Auslassseite verringert den Druckabfall und verbessert die Hubwirkung.
- Einfach zugängliches Sieb.
- Automatisches Bypassventil.
- 2-Zoll-Gewindesockel für Tanköffnungen.
- Konstante Stromaufnahme: 115 V~ – 5,5 A; 230 V~ – 2,4 A (Servicefaktor 1,0).

Gesamtabmaße:

Modell 700V/710V: B x H x T = 359 x 300 x 292 mm (14,15 x 11,825 x 11,5 Zoll).

Modell 701V: B x H x T = 360 x 422 x 297 mm (14,15 x 16,6 x 11,675 Zoll).

Modell 711V: B x H x T = 387 x 409 x 358 mm (15,25 x 16,1 x 14,1 Zoll).

Versandgewicht: **FR700V**: 24,5 kg (54 lbs) / **FR701V**: 27,7 kg (61 lbs) / **FR710V**: 24,5 kg (54 lbs) / **FR711V**: 27,7 kg (61 lbs)

Zubehör:

- Auf Seite 11 ist eine vollständige Liste der erhältlichen Zubehörteile zu finden.

Leistung:

- Maximaldruck: 1,72 bar (25 psi) am Pumpenauslass.
- Bis zu 75 Liter (20 US-Gallonen) pro Minute.
- Maximale Viskosität der gepumpten Flüssigkeit: Dieselkraftstoff #2.
- Maximale Betriebstemperatur der Pumpe (Umgebung): 66 °C (150 °F).
- Minimale Betriebstemperatur der Pumpe (Umgebung): –40 °C (–40 °F) (für Betrieb bei –40 °C (–40 °F) ist die „Zapfdüse für Arktik“ und der „Schlauch für Arktik“ erforderlich, siehe Zubehörabschnitt auf Seite 11).
- Maximale Saughöhe: 3 m (10 Fuß) für Benzin; 5,5 m (18 Fuß) für Dieselkraftstoff (die Saughöhe in Fuß entspricht dem vertikalen Abstand vom Flüssigkeitsstand im Tank zum Pumpeneinlass PLUS Reibungsverluste im vertikalen und horizontalen Leitungsverlauf, in allen Krümmern und anderen Armaturen. Das System muss so eingerichtet werden, dass ein **Mindestwert** an Saughöhe erzielt wird).

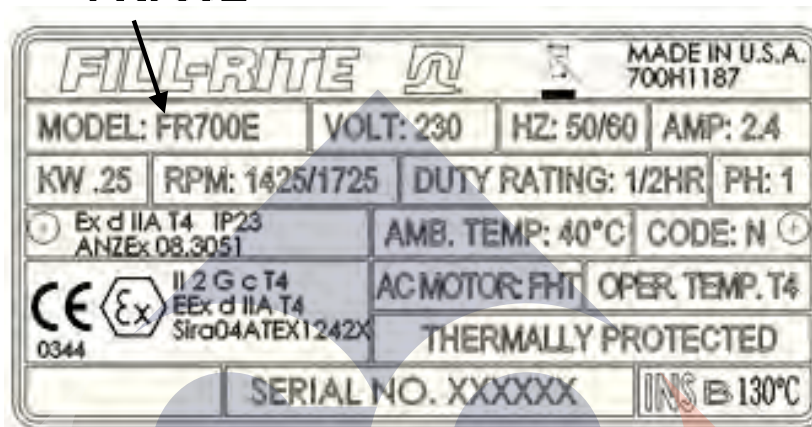


WICHTIG! Alle Verschraubungen an Pumpenmodellen und Zählern der Serie 700 mit Suffix M sind BSP-Standardgewinde, **NICHT** NPT-Standardgewinde, wie an anderer Stelle in diesem Handbuch beschrieben. Auf dem Typenschild des Motors nachsehen, um welches Pumpenmodell es sich handelt.

ACHTUNG!

Die folgenden Informationen gelten für Pumpen und Zähler mit Suffix E (vorgesehen zum Einsatz außerhalb der Vereinigten Staaten und von Kanada)! Siehe Informationsschild auf der Pumpe, ob dies zutrifft.

FR700E



Werkstoffe

Werkstoffe der Außenflächen des Geräts: Lackierter Stahl; lackiertes Gusseisen; lackiertes Aluminium; verzinkter Stahl.

Werkstoffe der benetzten Teile: Gusseisen; Stahl; verzinkter Stahl; Edelstahl der Serie 300; Bronze; Kohle; Keramik; Polyester; Fasern; Fluorkohlenstoff; Buna; Edelstahl der Serie 400; Aluminium.

Reparatur und Wartung

Kontaktieren Sie für Garantiereparaturen und Wartungsarbeiten den Verkäufer.

Besondere Bedingungen für sicheren Einsatz

Die M8-Befestigungsteile zum Sichern des Statorgehäuses müssen Klasse 10.9 sein. Die M6-Befestigungsteile zum Sichern der Klemmgehäuseabdeckung müssen Klasse 8.8 sein. Mit brennbaren Flüssigkeiten müssen ein elektrisch leitender Schlauch und ein elektrisch leitendes Zapfventil verwendet werden. Zur Minimierung des Aufbaus statischer Elektrizität muss das Zapfventil in Kontakt mit dem Behälter sein, der gefüllt wird.

Montage

Die Pumpe muss gemäß EN 60079-14 montiert werden.

Sicherheitskonformitäts-Zertifikate für Produkte, die außerhalb der Vereinigten Staaten und Kanada verkauft werden, wurden für die folgenden Agenturen eingeholt. Das Schild auf dem Produkt enthält die relevanten Konformitätsdaten.



CENELEC Norm

