

PIUSI®

*Fluid Handling
Innovation*

EASY OIL



**MADE
IN
ITALY**

Istruzioni per l'uso e manutenzione

IT

Instructions for use and maintenance

EN

BULLETIN MO656 ITEN_00

ENGLISH

EN

INDEX

1	GENERAL WARNINGS	10
2	GENERAL SAFETY WARNINGS	10
2.1	INDICATIONS OF DANGER FOR THE PERSON (WARNING)	10
2.2	HAZARD STATEMENTS FOR THE PRODUCT (CAUTION)	10
3	PRODUCT DESCRIPTION	11
3.1	INTENDED USE	11
3.1.1	Fluids allowed	11
3.1.2	Fluids not allowed	11
4	OPERATING CONDITIONS AND PERFORMANCE	12
5	ASSEMBLY	12
6	USE AND VERIFICATIONS	13
7	MAINTENANCE	13
8	PROBLEMS AND SOLUTIONS	14
9	DIMENSIONS	14
10	EXPLODED VIEW OF SPARE PARTS	15
11	DEMOLITION AND DISPOSAL	15

BULLETIN MO656

1 GENERAL WARNINGS

Warnings

To ensure operator safety and to protect the dispensing system from potential damage, workers must be fully acquainted with this instruction manual before attempting to operate the dispensing system.

Symbols used in the manual

The following symbols will be used throughout the manual to highlight safety information and precautions of particular importance:



ATTENTION

This symbol indicates safe working practices for operators and/or potentially exposed persons.



WARNING

This symbol indicates that there is risk of damage to the equipment and/or its components.



NOTE

This symbol indicates useful information.

Manual preservation

This manual should be complete and legible throughout. It should remain available to end users and specialist installation and maintenance technicians for consultation at any time.

Reproduction rights

All reproduction rights are reserved by Piusi S.p.A.
 The text cannot be reprinted without the written permission of Piusi S.p.A.
 © Piusi S.p.A.
 THIS MANUAL IS THE PROPERTY OF Piusi S.p.A.
 ANY REPRODUCTION, EVEN PARTIAL, IS FORBIDDEN.

2 GENERAL SAFETY WARNINGS

2.1 INDICATIONS OF DANGER FOR THE PERSON (WARNING)

- do not modify or tamper with the product
 - do not use the product with pressures higher than those foreseen by the operating conditions
 - prevent contact between the treated fluid, skin and eyes.
 - do not use the product with flammable liquids
 - do not use the product with corrosive liquids
 - The operator must use personal protective equipment during use, handling, any maintenance and disposal.
 - gloves resistant to chemical and thermal attack
 - protective face mask
 - safety goggles
- For specific information, always refer to the fluid MSDS.

2.2 HAZARD STATEMENTS FOR THE PRODUCT (CAUTION)

- do not use the product for uses other than those intended
- do not use the product exposing it to atmospheric agents such as rain and ice
- do not use the gun without liquid

3 PRODUCT DESCRIPTION

PIUSI EASY OIL is a manual nozzle suitable for dispensing a wide range of oils.



EN

3.1 INTENDED USE

The product is suitable for dispensing fluids with the characteristics described below

3.1.1 Fluids allowed

Oli lubrificanti e idraulici
Viscosità: fino a 1500 cSt
Temperatura fluido: 0...60°C

3.1.2 Fluids not allowed

**FLUIDS NON
PERMITTED
AND
RELATED
DANGERS**

- | | |
|--------------------------------------|-----------------------------|
| - Gasoline | - Fire - explosion |
| - Inflammable liquids with pm < 55°C | - Fire - explosion |
| - Water | - Oxidation |
| - Antifreeze | - Oxidation |
| - Food liquids | - Contamination of the same |
| - Corrosive chemical products | - Corrosion |
| | - injury to persons |
| - Solvents | - Fire - explosion |
| | - Damage to gasket seals |

4 OPERATING CONDITIONS AND PERFORMANCE

Temperature	Ambient temperature
Relative humidity	max. 90%
Flow rate	30 l/min
Pmax	70 bar

5 ASSEMBLY

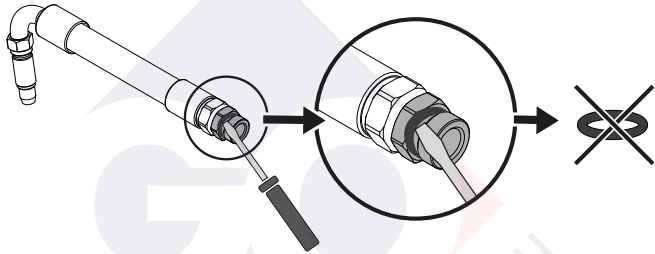
Apply thread sealant to the male threads of the spout.
Install the spout. Tighten firmly.

NOTE

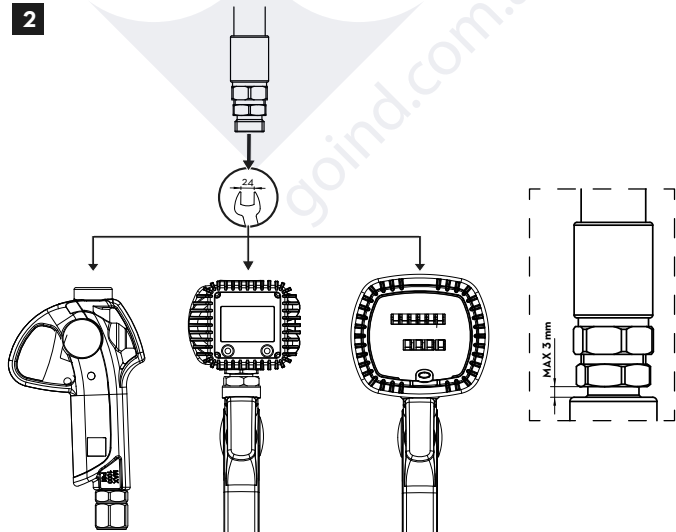


To install the spout, remove the gasket from it and proceed with the installation.
(see diagram below)

1



2



6 USE AND VERIFICATIONS

NOTE



Perform the following procedures to allow the pump to begin the cycle.

Adjust the amount of air to the pump with pressure regulator.

If the valve leaks at any time, refer to the troubleshooting table.

1 Point the gun into a suitable container to hold the dispensed fluid.

2 Allow the pump to prime fluid to the control valve.

- The control valve must not show leaks or dispense fluid.

3 Operate the gun lever assembly several times.

- The fluid should flow once the air has been eliminated.

With the lever in the released position, no fluid should come out of the spout.

To lock the handle, press the lever, press the stop button and release the lever.

To release the latch, press and release the lever.

If fluid leaks, refer to the troubleshooting table.

The drip valve opens automatically during delivery.

NE

7 MAINTENANCE

Safety instructions

During maintenance, the use of personal protective equipment (PPE) is compulsory.

In any case always bear in mind the following basic recommendations for a good functioning of the product

- Don't hit the control handle if it doesn't work.
- Refer to the troubleshooting guide or return the unit to the nearest authorized service center.
- Do not point the nozzle towards the body.
- Do not exceed the rated pressure of any component installed in the system.
- Check all hoses for signs of wear, leaks, or loose fittings before each use.
- Tighten all joints regularly.
- Disconnect the air supply from the oil pump before attempting any repair or maintenance.
- Release the line pressure by squeezing the lever on the control handle
- Failure to do so can result in death or serious injury.

Authorised maintenance personnel

All maintenance must be performed by qualified personnel. Tampering can lead to performance degradation, danger to persons and/or property and may result in the warranty being voided.

ONCE A WEEK:

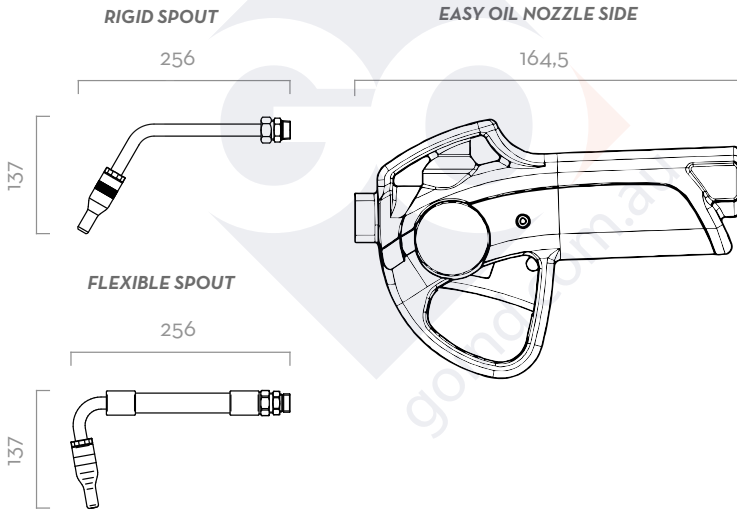
Check that the pipe joints are not loose, to avoid any leaks.

8 PROBLEMS AND SOLUTIONS

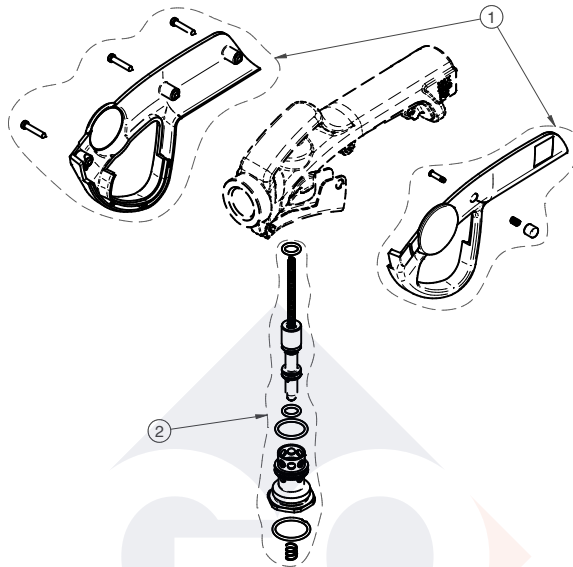
For any problem, it is good practice to contact the nearest authorized service center in your area.

PROBLEM	POSSIBLE CAUSE	CORRECTIVE ACTION
Fluid flow does not stop	1. Presence of impurities on the valve gasket	1. Disassemble, clean and inspect the lever seat. Check the mating surfaces and replace the seals if necessary. Identify and eliminate the source of impurities
	2. Valve gasket worn or damaged	2. Replace the valve gasket.
Loss from the spout	1. Gun not closed	1. Close the gun
	2. Damaged gun	2. Replace the gun
Leaks from the junction points	1. Insufficient initial tightening	1. Tighten the leaking connection
	2. Missing or inadequate thread sealant	2. Apply thread sealant * to the male pipe threads.

9 DIMENSIONS



10 EXPLODED VIEW OF SPARE PARTS



Position	Description
1	EASY OIL HALF-SHELL KIT
2	VALVE + SPRING GROUP

11 DEMOLITION AND DISPOSAL

Foreword

If the system needs to be disposed, the parts which make it up must be delivered to companies that specialize in the recycling and disposal of industrial waste and, in particular:

Disposing of packing materials

The packaging consists of biodegradable cardboard which can be delivered to companies for normal recycling of cellulose.

Metal Parts Disposal

Metal parts, whether paint-finished or in stainless steel, can be consigned to scrap metal collectors.

Disposal of electric and electronic components

These must be disposed of by companies that specialize in the disposal of electronic components, in accordance with the indications of directive 2012/19/EU (see text of directive below).

Miscellaneous parts disposal

Other components, such as pipes, rubber gaskets, plastic parts and wires, must be disposed of by companies specialising in the disposal of industrial waste.



*Fluid Handling
Innovation*

piusi.com
PIUSI SpA • Suzzara MN Italy

BULLETIN MO656 ITEN_00

07.2021