



KITS



PUMPS



METERS



METERED NOZZLES



NOZZLES



WASTE OIL EQUIPMENTS

AIR/WATER HOSE REEL

FEATURES

- STURDY METALLIC STRUCTURE
- HAND PROTECTION (ON REQ.)
- ANTI-FREEZE VERSION
- BENDING PROTECTION

The PIUSI AIR/WATER HOSE REEL is an automatic open hose reel specific for air/water. It is the perfect solution to manage the dispensing of these kind of liquids/gases. It comes with a sturdy hand protection cover to avoid any possible injury during use.



PERFORMANCE

MAX 20 BAR	15M
OPERATING PRESSURE	HOSE LENGTH



OPEN AIR/WATER HOSE REEL
(hand protection on request)



PACKAGING

CODE	WEIGHT		PACKAGING			
	KG	LBS	MM	INCH	PCS/PALLET	PCS/BOX
HA20151200A	17	37,4	550X200X540	21,6X7,9X21,3		1
HA20153800A	17	37,4	550X200X540	21,6X7,9X21,3		1

WITH HOSE



FILTRATION



FLUID MONITORING



TANK MONITORING



HOSE REELS



ACCESSORIES



MERCHANDISE



AIR



ANTIFREEZE



AdBlue®



BIODIESEL



DIESEL



FOOD



GASOLINE



GREASE



KEROSENE



OIL



WATER

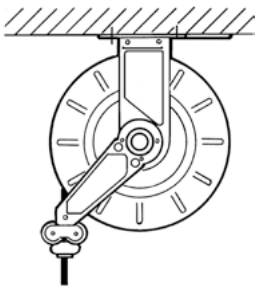


WINDSCREEN

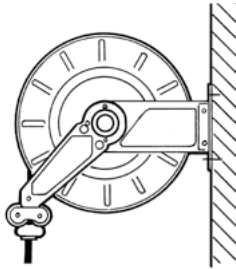
INSTALLATION

Different ways to install PIUSI's hose reels: they can be easily placed wherever you need them without any problem about functionality and safety. PIUSI's products are without a doubt designed to support your work in any condition.

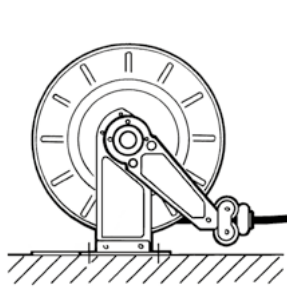
ROOF INSTALLATION



WALL INSTALLATION



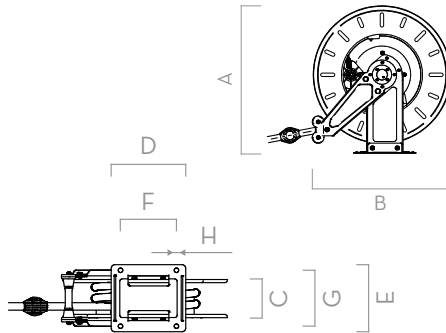
GROUND INSTALLATION



DIMENSIONS

MODEL OPEN HOSE REEL SMALL

A	475
B	460
C	102
D	150
E	196
F	150
G	150
H	12



Dimensions expressed in millimeters

IN THE BOX

- AIR/WATER HOSE REEL
- WALL MOUNT BRACKET
- HAND PROTECTION
- INSTRUCTION MANUAL



DETAILS



AUTOMATIC HOSE REEL



4 ROLLS HOSE GUIDE



DIFFERENT INSTALLATIONS



PROTECTION ON REQUEST

MATERIALS

- BODY: CAST IRON
- HUB: SYNTHETIC STEEL
- TUBE: RUBBER

TECHNICAL DATA

CODE	DESCRIPTION	FLUIDS TYPE	HOSE	MAX WORKING PRESSURE	PRESSURE DROP	INLET WITH SWIVEL	OUTLET HOSETAIL	HOSE MAX LENGTH BOUND	HOSE LENGTH
			BSP	BAR	BAR	BSP	BSP	M	M

WITH HOSE

HA20151200A	OPEN HOSE REEL 1/2" + 15MT HOSE SMALL		1/2"		-	1/2" MALE	1/2" MALE	-	15
HA20153800A	OPEN HOSE REEL 3/8" + 15MT HOSE SMALL		3/8"		-	3/8" FEMALE	3/8" FEMALE	-	15

AIR/WATER HOSE REEL

OPEN HOSE REEL

173