



## BFDDA

### Ductile Iron Double Acting Butterfly Valve with 316 Stainless Steel Disc

#### Features:

- Size 50mm to 600mm
- Body FBE Coated Ductile Iron
- Seat EPDM
- Disc 316 Stainless Steel
- Pressure Up to 16 BAR (depending upon size)
- Actuation Double Acting Pneumatic



#### Description:

The BFD (supercedes the BFK) series has a ductile iron body, 316 S.S disc, EPDM seat and a double acting pneumatic actuator making it suited to a wide range of industrial applications. These are Watermark, Standards Mark and WSA (Water Service Association of Australia) certified. These wafer butterfly valves will fit all standard flanges and are operated by a high quality double acting (rack and pignon design) anodised aluminium pneumatic actuator. The unique bonded cartridge design of the butterfly valve gives it a longer life span, allows vacuum to be run through it and enables the seat to be replaceable if ever the need should arise. Designed & manufactured in accordance with API609, inspected and tested in accordance with API598. Common applications include water trucks, irrigation, irrigation and other industrial applications. If sizes above 600mm or extension shafts are required please contact us.

Model	Size (mm)	Actuator	Media Pressure	Media Temperature	Actuator Pressure	Actuator Port Size
BFD50-DA-E	50	DA50	Vacuum to 16 BAR	-20°C to 90°C (40°C Potable)	6 to 8 BAR	1/8"
BFD65-DA-E	65	DA50	Vacuum to 16 BAR	-20°C to 90°C (40°C Potable)	6 to 8 BAR	1/8"
BFD80-DA-E	80	DA63	Vacuum to 16 BAR	-20°C to 90°C (40°C Potable)	6 to 8 BAR	1/8"
BFD100-DA-E	100	DA75	Vacuum to 16 BAR	-20°C to 90°C (40°C Potable)	6 to 8 BAR	1/8"
BFD125-DA-E	125	DA88	Vacuum to 16 BAR	-20°C to 90°C (40°C Potable)	6 to 8 BAR	1/8"
BFD150-DA-E	150	DA100	Vacuum to 16 BAR	-20°C to 90°C (40°C Potable)	6 to 8 BAR	1/4"
BFD200-DA-E	200	DA115	Vacuum to 16 BAR	-20°C to 90°C (40°C Potable)	6 to 8 BAR	1/4"
BFD250-DA-E	250	DA125	Vacuum to 16 BAR	-20°C to 90°C (40°C Potable)	6 to 8 BAR	1/4"
BFD300-DA-E	300	DA145	Vacuum to 16 BAR	-20°C to 90°C (40°C Potable)	6 to 8 BAR	1/4"
BFD350-DA-E	350	DA180	Vacuum to 10 BAR	-20°C to 90°C (40°C Potable)	6 to 8 BAR	1/4"
BFD400-DA-E	400	DA200	Vacuum to 10 BAR	-20°C to 90°C (40°C Potable)	6 to 8 BAR	1/4"
BFD450-DA-E	450	DA200	Vacuum to 10 BAR	-20°C to 90°C (40°C Potable)	6 to 8 BAR	1/4"
BFD500-DA-E	500	DA240	Vacuum to 10 BAR	-20°C to 90°C (40°C Potable)	6 to 8 BAR	1/4"
BFD600-DA-E	600	DA270	Vacuum to 10 BAR	-20°C to 90°C (40°C Potable)	6 to 8 BAR	1/4"

For sizes over 600mm or different seat material please contact us.



**PROCESS SYSTEMS PTY LTD**

ABN 15 010 932 386

Phone 1300 887 880

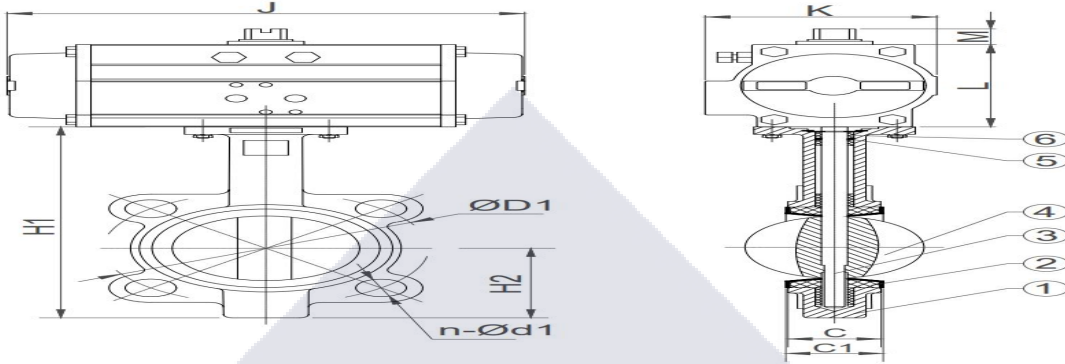
Email: [sales@processsystems.com.au](mailto:sales@processsystems.com.au)

Website: [www.valvesonline.com.au](http://www.valvesonline.com.au)

# Ductile Iron Double Acting Butterfly Valve with 316 Stainless Steel Disc

BFDDA

## Dimensions:



Model	DN	Actuator	C	C1	H1	H2	J	K	L	M	AS2129 Table D		AS2129 Table E		ANSI150	
											ØD1	n-Ød1	ØD1	n-Ød1	ØD1	n-Ød1
BFD50-DA-E	50	DA50	42	46.1	225	70	138	71	70	20	114	4-18	114	4-18	120.5	4-19
BFD65-DA-E	65	DA50	44.7	49.1	245	77	138	71	70	20	127	4-18	127	4-18	139.5	4-19
BFD80-DA-E	80	DA63	45.2	48.4	261	87	162	80.5	80	20	146	4-18	146	4-18	152.5	4-19
BFD100-DA-E	100	DA75	52.1	55.3	305	112	208	94.5	97	20	178	4-18	178	4(8)-18	190.5	4(8)-19
BFD125-DA-E	125	DA88	54.4	58.8	332	128	245	109	116	20	210	4(8)-18	210	4(8)-18	216	4(8)-22
BFD150-DA-E	150	DA100	55.8	59.1	361	143	266	123	122	20	235	4(8)-18	235	4(8)-22	241.5	4(8)-22
BFD200-DA-E	200	DA115	60.6	64.1	423	173	310	137	142	30	292	4(8)-18	292	4(8)-22	298.5	4(8)-22
BFD250-DA-E	250	DA125	65.6	71.8	499	210	340	148	154	30	356	4(8)-22	356	4(12)-22	362	4(12)-25
BFD300-DA-E	300	DA145	76.9	81	578	244	401	168.5	179	30	406	4(12)-22	406	4(12)-26	432	4(12)-25
BFD350-DA-E	350	DA180	76.5	79.5	635	267	482	204	222	30	470	4(12)-26	470	4(12)-26	476	4(12)-29
BFD400-DA-E	400	DA200	86.5	90	697	297	532	224	244	30	521	4(12)-26	521	4(12)-26	539.5	4(16)-29
BFD450-DA-E	450	DA200	105.6	109	737	315	532	224	244	30	584	4(12)-26	584	4(12)-26	578	4(16)-32
BFD500-DA-E	500	DA240	131.8	135	840	360	662	266	288	30	641	4(16)-26	641	4(16)-26	635	4(20)-32
BFD600-DA-E	600	DA270	152	156	1006	444	730	306	323	30	756	4(16)-30	756	4(16)-33	749.5	4(20)-35

All dimensions in mm unless specified otherwise



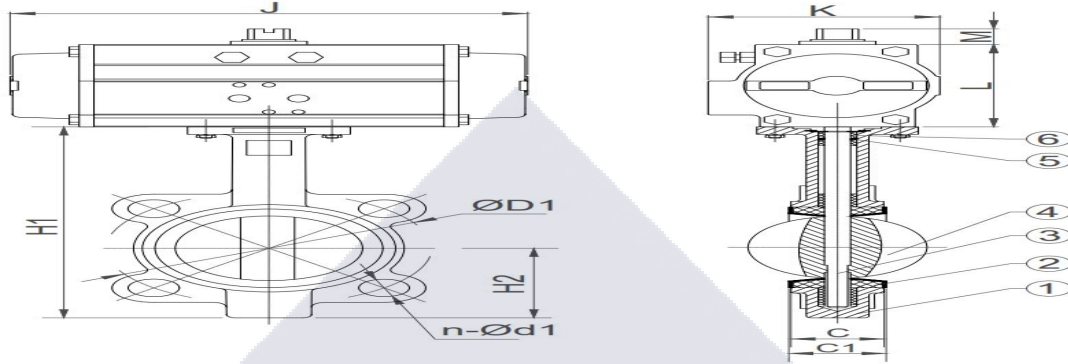
**PROCESS SYSTEMS PTY LTD** Phone 1300 887 880  
 Email: sales@processsystems.com.au  
 Website: www.valvesonline.com.au  
 ABN 15 010 932 386



# Ductile Iron Double Acting Butterfly Valve with 316 Stainless Steel Disc

## BFDDA

### Construction:



Item	Description	Material
1	Body	Ductile Iron (Fusion Bonded Epoxy Coated)
2	Seat	EPDM
3	Shaft	SS431
4	Disc	CF8M
5	Bushing	PTFE
6	O Ring	NBR
	Pneumatic Actuator	Anodized Aluminium



**PROCESS SYSTEMS** PTY LTD

ABN 15 010 932 386

Phone 1300 887 880

Email: [sales@processsystems.com.au](mailto:sales@processsystems.com.au)

Website: [www.valvesonline.com.au](http://www.valvesonline.com.au)

### WARNING

These products are intended for use in industrial applications only. Do not use these products where pressures and temperatures can exceed those listed under 'Technical Data' and in our individual 'Series' data sheets. Before using these products with fluids other than those specified, for non-industrial applications, life-support systems, or other applications not within published specifications, consult Process Systems Pty Ltd. Through misuse, age, or malfunction, components used in industrial valve applications can fail in various modes. The system designer is warned to consider the failure modes of all component parts used in industrial valve applications and to provide adequate safeguards to prevent personal injury or damage to equipment in the event of such failure. System designers must provide a warning to the user in the system instructional manual if protection against a failure mode cannot be adequately provided. System designers and end users are cautioned to review specific warnings or specifications found in instruction sheets or labels packed or attached and shipped with the products. Our policy is one of continuous research and development. We therefore reserve the right to amend without notice the specifications given in this document or our individual 'Series' data sheets.

### WARRANTY INFORMATION

All valve series and other products manufactured or distributed by Process Systems Pty. Ltd. are warranted by Process Systems to be free of defects in material and workmanship for a period of 1 year from the date of purchase or as the manufacturer warrants. Process Systems obligation under this warranty is limited to repair or replacement of the defective product or refund of the purchase price paid solely at the discretion of Process Systems and provided such defective product is returned to Process Systems freight prepaid and upon examination by Process Systems such product is found defective. This warranty shall be void in the event that the product has been subject to misuse, misapplication, improper maintenance, modification or tampering. This warranty is expressed in lieu of all other warranties, expressed or implied from Process Systems Pty. Ltd. representatives or employees. Process Systems reserves the right to change Valve and Brochure specifications without notice.