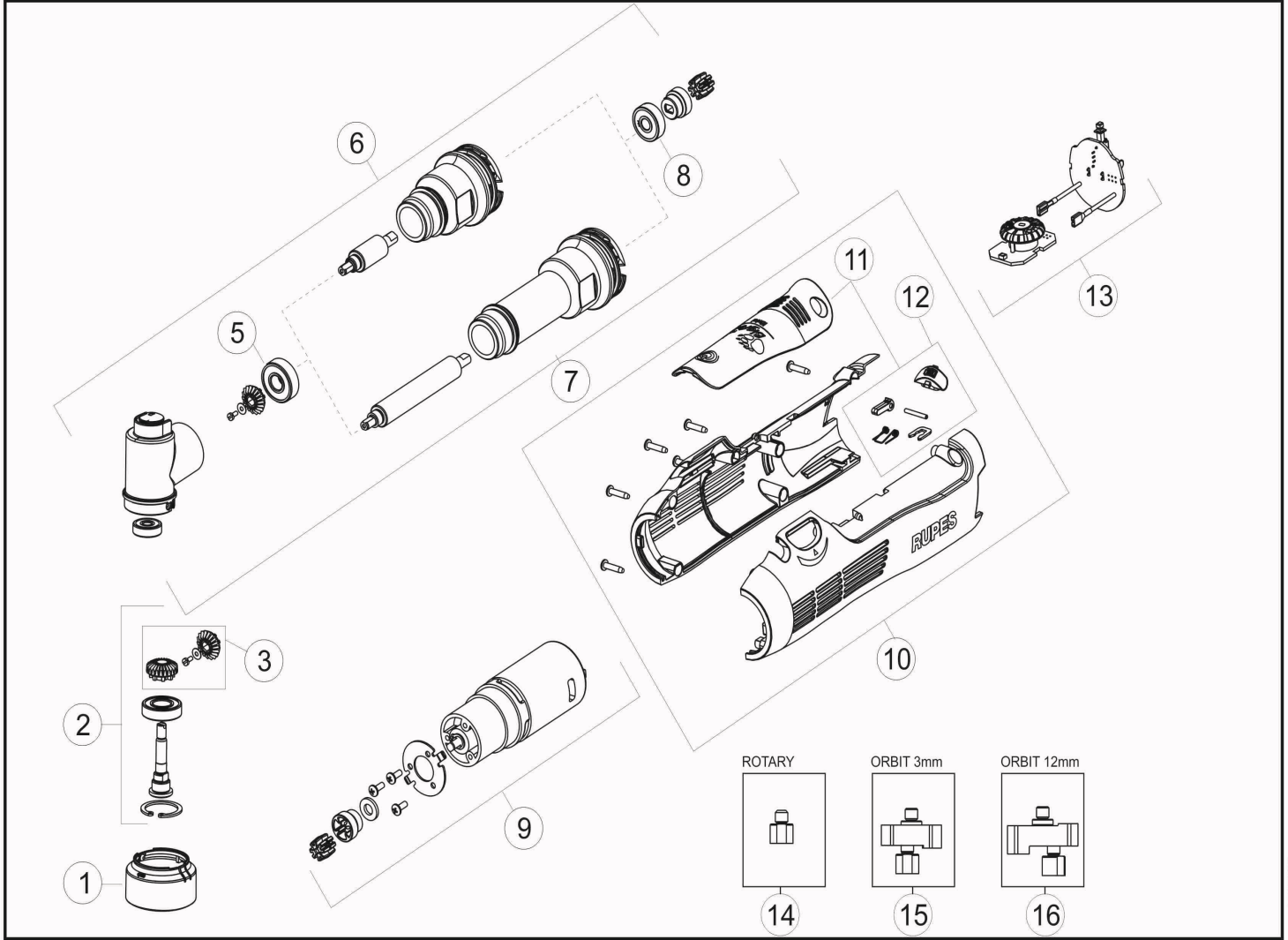


RUPES®

i-BRID NANO LONG NECK
 i-BRID NANO SHORT NECK

HR81ML
HR81M



03/2021

RUPES



R.U.P.E.S. spa
Realizzazione Utensili
Pneumatici Elettrici Speciali
sede operativa: via Marconi, 3A
20080 Vermezzo (MI) - Italy
tel.: ++39.02.946941
fax.: ++39.02.94941040
e-mail: info_rupes@rupes.it

web: www.rupes.com
cod.fisc. e part. IVA: IT 05094230157
cap.sociale: euro 2.100.000 int.vers.
REA: MI-1163819
Reg. Imprese n. 0509430157
sede legale: v.le Bianca Maria, 13 - Milano
REG. RAEE: IT08020000000741
REG. PILE: IT09060P00000205

ID	ITEM	DESCRIPTION
001	65.390/C	BIGFOOT NANO COUNTERWEIGHT PROTECTION SHROUD
002	51.390/C	COMPLETE SHAFT SET iBrid Nano
003	52.390/C	GEAR SET iBrid Nano
005	9.199/10	BEARING 608 8-22-7 10 Pcs blister
006	361.391/C	SHORT NECK + GEAR BOX
007	36.391/C	LONG NECK + GEAR BOX
008	9.541/10	BEARING 626 6-19-6
009	9GE07029	COMPLETE MOTOR SET iBrid Nano
010	311.390/C	MOTOR BODY SET iBrid Nano
011	38.390/C	LEVER iBrid Nano
012	75.390/C	LEVER FIXING SET iBrid Nano
013	400.390/C	ELECTRONIC MODULE iBrid Nano
014	562.390	ROTARY FUNCTIONAL UNIT
015	581.390/C	3mm ORBIT FUNCTIONAL UNIT
016	58.390/C	12mm ORBIT FUNCTIONAL UNIT
017	9.1396/C	BIGFOOT NANO KEY FOR BACKING PAD/COUNTERWEIGHT