

RUPES



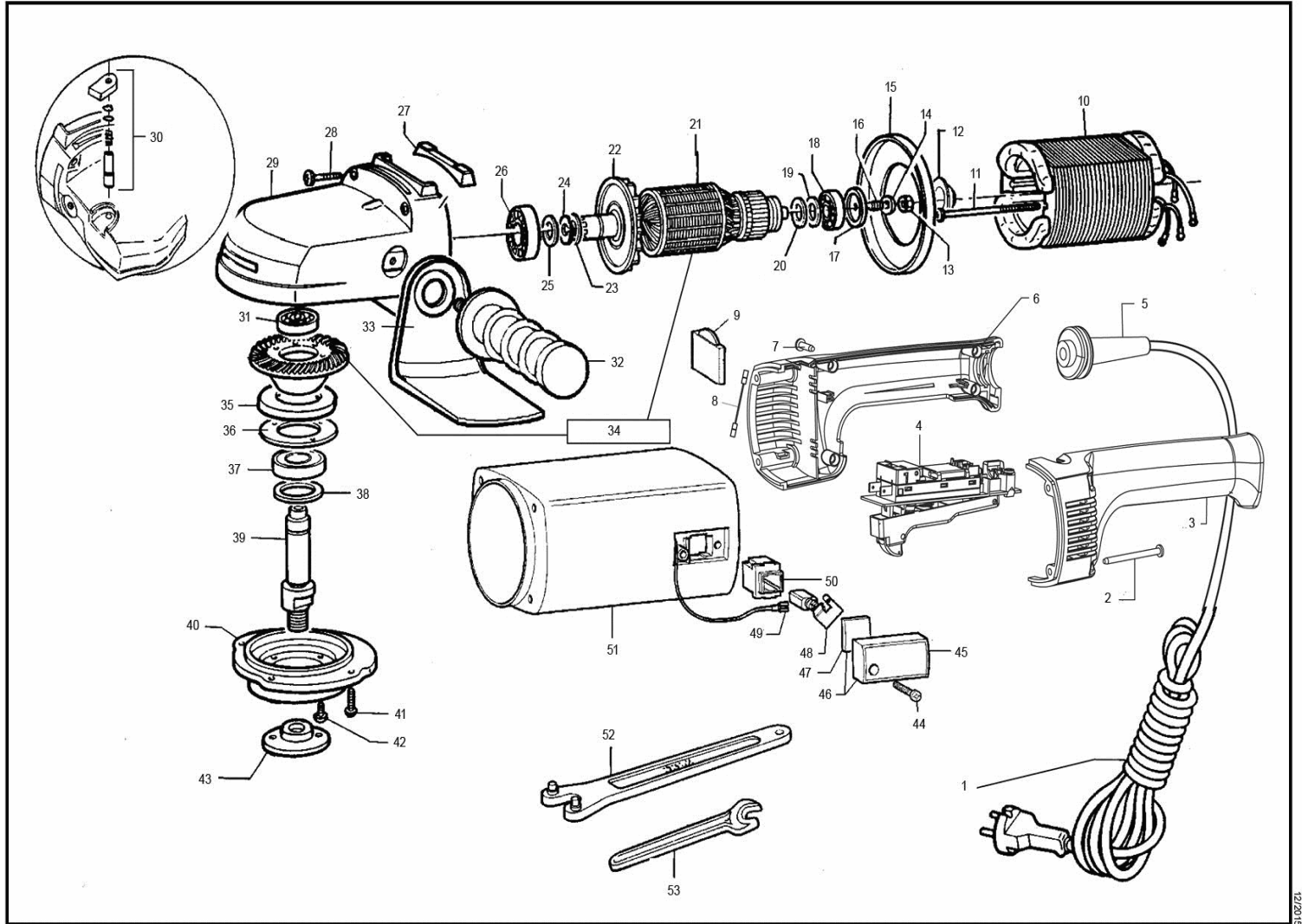
R.U.P.E.S. spa
Realizzazione Utensili
Pneumatici Elettrici Speciali
sede operativa: via Marconi, 3A
20080 Vermezzo (MI) - Italy
tel.: ++39.02.946941
fax.: ++39.02.94941040
e-mail: info_rupes@rupes.it

web: www.rupes.com
cod.fisc. e part. IVA: IT 05094230157
cap.sociale: euro 2.100.000 int.ver.
REA: MI-1163819
Reg. Imprese n. 0509430157
sede legale: v.le Bianca Maria, 13 - Milano
REG. RAEE: IT08020000000741
REG. PILE: IT09060P00000205

RUPES®

LUCIDATRICI ANGOLARI
ANGULAR POLISHERS

LH22EN
LH22N



12/2015

ID	ITEM	DESCRIPTION
001	9C2X1,0NAU5FOR	CABLE 2X1 (plug Australia) H07RN-F mt.5
001	9C2X1,0NGB4FOR	CABLE 2X1 (plug UK) with fork H07RN-F CENTRAL METAL PLUG
001	9C2X1,0N485FOR	CAVO 2x1 (spina Schuko d4,8) mt.5 H05RN-F con forchetta
001	9C2X1,0R404FOR	CABLE 2X1 (plug D4) H07RN-F mt.4 with fork (only Swiss)
002	9.651	SCREW 4,2x50 (8x2") T.C.C.
003	441.239	HALF-HANDLE LEFT
003	441.239/E	HALF-HANDLE LEFT
004	45.00.041	SWITCH 12+
005	42.290	CABLE SLEEVE SS31TE
006	44.239	HALF-HANDLE RIGHT
006	44.239/E	HALF-HANDLE RIGHT
007	9.688	SCREW 4,2x16 T.C.C. (8x5/8)
008	77.239	CABLE (2 faston fem. 6,3mm + faston bag
009	400.239/60HZ	ELECTRONIC MODULE (FEMALE FASTON 6,3)
009	400.239/C	ELECTRONIC MODULE LH22E
010	2.42/110	STATOR (V.110)
010	2.42/240	STATOR (V.240)
011	9.652	SCREW 4,8x57 (10x2"1/4)T.C.C.
012	319.092	MOTOR BODY NUT COVER
013	84.91	NUT M8 GALVANIZE uni 5589
014	9.349	TOOTHED WASHER
015	73.038	AIR BULKHEAD
016	9.698	GRAIN 8x14
017	341.40	THRUST WASHER
018	9.17/10	BEARING 629 ZZ-C3
019	9.304	STEEL WASHER d15 x 9,1 s 0,1
020	9.320	STEEL WASHER d23 x 9,1 s 0,3
021	1.097/110	ROTOR (V.110)
021	1.136/230	ROTOR (V.230-240)
022	15.092	FAN 40 BLADES
023	9.309	STEEL WASHER d22 x 15,2 s 0,3
024	9.103	SEEGER d 12 TIPO E DIN 471 CR3 PHOSPHATE
025	541.40	SPACER d 22 x 15,2 s 1
026	9.09/10	BEARING 6002 ZZ-C3
027	65.038	TOOL SUPPORT
028	9.575	SCREW 4,8x50 (10x2") T.C.C. BURNISHED
029	32.137	GEAR BOX
030	323.136/C	COMPLETE UNLOCK SPRING BUTTON
031	9.27/10	BEARING 6001 ZZ-C3
032	81.326	COMPLETE SIDE HANDLE WITHOUT SPANNER
033	93.098	GUARD FOR SIDE HANDLE LH22E
034	1.136/230/C	ROTOR (V.230-240) WITH GEAR
035	54.098	SPACER d 22 x 15,2 s 5,45
036	351.038	BEARING LOCKING FLANGE
037	9.26/10	BEARING 6202 ZZ-C3
038	333.038	d 28x15 s 0,3 STEEL WASHER
039	51.092	SPINDLE SHAFT
040	33.038	FLANGE
041	9.689	SCREW M5 x 14 T.C.C. 8G BURNISHED
042	9.637	SCREW M4 x 16 T.C.C. 8G BURNISHED
043	924.24	CONIC NUT FOR VULKOFIX
044	9.614	SCRE M4 x 12 T.C.C. d7,7 BRN 8.8
045	48.048	BRUSH COVER
046	481.048	BRUSH COVER
047	48.82	RECTANGULAR PLATE FIB. 16,5x13,5 s1,5
048	47.70/10	10 BRUSHES BLISTER LH-GL-SM

RUPES



R.U.P.E.S. spa
Realizzazione Utensili
Pneumatici Elettrici Speciali
sede operativa: via Marconi, 3A
20080 Vermezzo (MI) - Italy
tel.: ++39.02.946941
fax.: ++39.02.94941040
e-mail: info_rupes@rupes.it

web: www.rupes.com
cod.fisc. e part. IVA: IT 05094230157
cap.sociale: euro 2.100.000 int.ver.
REA: MI-1163819
Reg. Imprese n. 0509430157
sede legale: v.le Bianca Maria, 13 - Milano
REG. RAEE: IT08020000000741
REG. PILE: IT09060P00000205

ID	ITEM	DESCRIPTION
049	9.1346	FASTON FEMALE 2,8x0,8
050	46.093	BRUSH HOLDER
050	46.093/C	BRUSH HOLDER
051	31.093	GL61-GL81 MOTOR BODY
052	836.24	SPANNER
053	83.13	SPANNER mm 17