

# RUPES



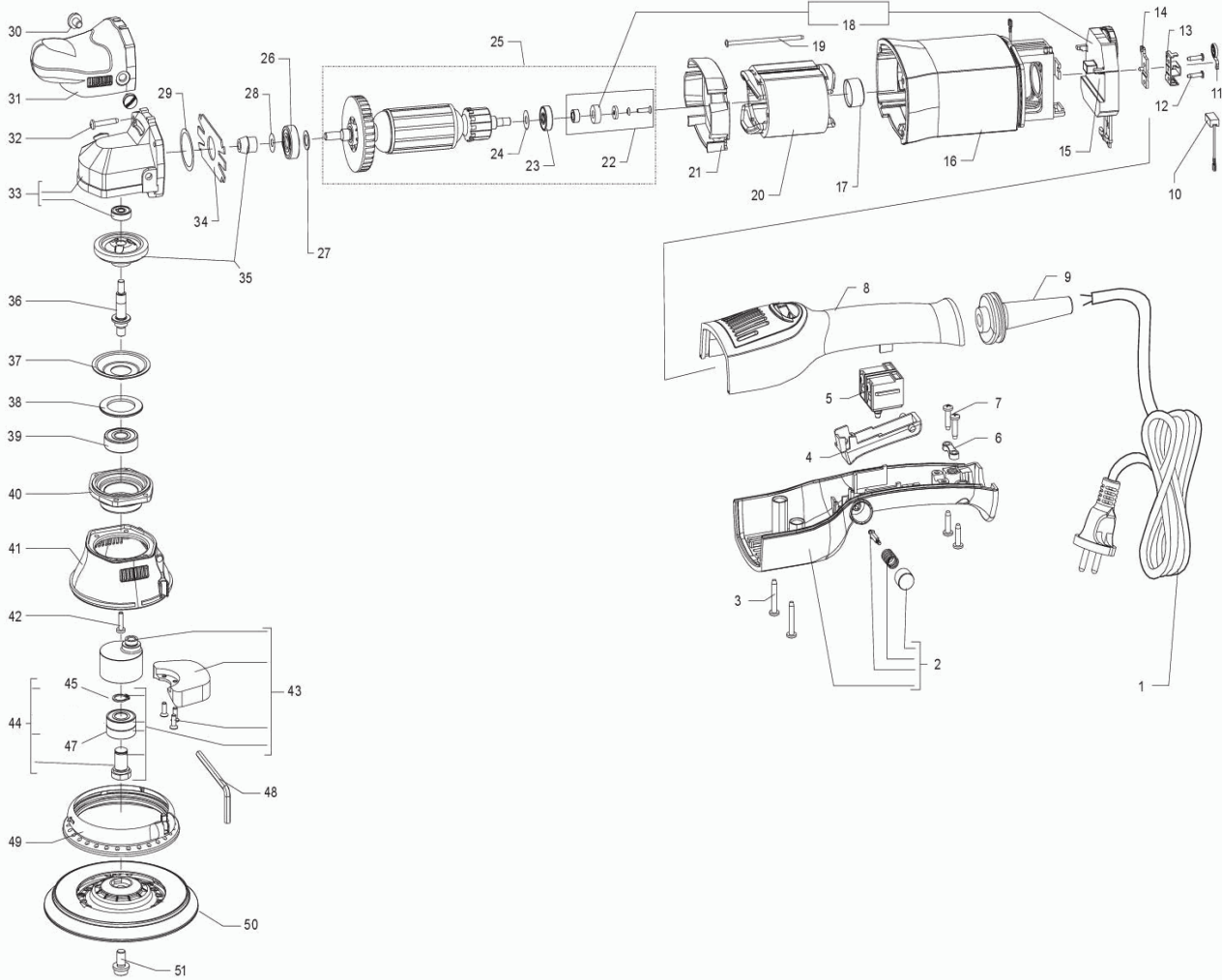
**R.U.P.E.S. spa**  
**Realizzazione Utensili**  
**Pneumatici Elettrici Speciali**  
sede operativa: via Marconi, 3A  
20080 Vermezzo (MI) - Italy  
tel.: ++39.02.946941  
fax.: ++39.02.94941040  
e-mail: info\_rupes@rupes.it

web: www.rupes.com  
cod.fisc. e part. IVA: IT 05094230157  
cap.sociale: euro 2.100.000 int.ver.s.  
REA: MI-1163819  
Reg. Imprese n. 0509430157  
sede legale: v.le Bianca Maria, 13 - Milano  
REG. RAEE: IT08020000000741  
REG. PILE: IT09060P00000205

# RUPES®

LUCIDATRICE ROTORBITALI  
RANDOM-ORBITAL POLISHER

LHR21ES



ID	ITEM	DESCRIPTION
001	9C2X0,8VUS9	CAVO 2x18AWG spina AMERICANA polarizzata R21 9mt.
001	9C2X1,0N489	CABLE 2X1 (plug Schuko d4,8) mt.9 H07RN-F FLEX
001	9C2X1,0NGB4FOR	CABLE 2X1 (plug UK) with fork H07RN-F CENTRAL METAL PLUG
001	9C2X1,0R404FOR	CABLE 2X1 (plug D4) H07RN-F mt.4 with fork (only Swiss)
001	9C2X1,0RAR4FOR	CABLE 2X1 (plug Argentina) mt.4 with fork
001	9C2X1,25VJA9	CABLE 2x1,25 (plug JAPAN) mt.9
001	9C2X1,0NAU9FOR	CABLE 2X1 (plug Australia) H07RN-F mt.9
002	44.285/C	COMPLETE LOWER HANDLE (blocco a/c)
002	44.285/UL	IMPUGNATURA INF. LHR21E materiale UL
003	9.552	SCREW 3,9x25 ( 7x1" ) T.C.C.
004	38.286	SWITCH BUTTON (clamp open/close)
005	45.284/UL	SWITCH 8(8) max 250V
005	45.284/UL	SWITCH 8(8) max 250V
006	442.55	CABLE CLAMP
007	9.660	SCREW 3,9x16 ( 7x5/8" ) T.C.C.
008	441.285/E/UL	UPPER HANDEL FOR ELECTRONICS (UL material)
008	441.285/E	UPPER HANDEL FOR ELECTRONICS
009	42.290	CABLE SLEEVE SS31TE
010	47.105/10	BLISTER WITH 10 PC. BRUSHES BA215
011	461.105	SPRING BRUSH HOLDER BA21 BURNISHED
012	9.551	SCREW 2,9x13 ( 4x1/2" ) T.C.C.
013	46.105	BRUSH HOLDER BA215-LH18ENS
014	462.105	BRUSH HOLDER PLATE
015	400.380/C	ELECTRONIC MODULE LH21ES
015	400.380/60HZ/C	ELECTRONIC MODULE
016	31.284	MOTOR BODY
016	31.284/UL	MOTOR BODY(UL material)
017	268.105	BEARING CAP
019	9.787	SCREW 2,9x70 T.C.C.
020	2.245/120S	STATOR (V.120)
020	2.245/230S	STATOR (V.230)
020	2.245/100S	STATOR (V.100)
021	73.284	AIR BULKHEAD
022	405.322/C	COMPLETE MAGNET
023	9.14/10	BEARING 626ZZ
024	9.318	STEEL WASHER d15 x 6,1 s 0,15
025	1.245/230S/C	ROTOR (V.230)
025	1.245/120S/C	ROTOR (ARMATURE) 120V
025	1.245/100S/C	ROTOR (V.100-110)
026	9.187/10	BEARING 629 2BRS R66 FA227
027	9.298	STEEL WASHER d15 x 9,1 s 0,5
028	9.318	STEEL WASHER d15 x 6,1 s 0,15
029	9.364	STEEL WASHER d25,9x21 s 0,1
030	812.91	SCREW M8 x 15 T.C.IN NYLON A T.
031	816.245/C	COMPLETE FRONT HOUSING
032	9.679	SCREW 4,2x25 ( 8x1" ) T.C.C.
033	32.245/C/31	GEAR BOX WITH BUTTON
034	351.105	MOTOR BODY LITTLE COVER
035	50.245	GEAR SET
036	51.245	SPINDLE SHAFT
037	35.105	FLANGE PLATE BA21-SL41
038	54.245	SPACER GEAR BOX
039	9.184/10	BEARING 6201 2BRS R66 FA227
040	33.245	FLANGE
041	65.245	PROTECTIVE CAP
042	9.835	SCREW M4 x 20 T.C.C. 8G BURNISHED +

# RUPES



**R.U.P.E.S. spa**  
**Realizzazione Utensili**  
**Pneumatici Elettrici Speciali**  
sede operativa: via Marconi, 3A  
20080 Vermezzo (MI) - Italy  
tel.: ++39.02.946941  
fax.: ++39.02.94941040  
e-mail: info\_rupes@rupes.it

web: www.rupes.com  
cod.fisc. e part. IVA: IT 05094230157  
cap.sociale: euro 2.100.000 int.vers.  
REA: MI-1163819  
Reg. Imprese n. 0509430157  
sede legale: v.le Bianca Maria, 13 - Milano  
REG. RAEE: IT08020000000741  
REG. PILE: IT09060P00000205

ID	ITEM	DESCRIPTION
043	58.245N/C	ECCENTRIC ASSEMBLY
044	56.245N/C	ECCENTRIC SHAFT ASSEMBLY
045	9.102	SEEGER d 12 TIPO E DIN 471 CR3 PHOSPHATE
047	9.182/10	BEARING 6001 DDWCM J NS75Z
048	9.1395	ALLEN SPANNER 5mm
049	651.245	RUBBER SHROUD LHR21
050	981.321N/5	BOX 5pcs Ø 150mm PAD VELCRO M8 FOR LHR21ES
051	9.715	SCREW M8 x 16 T.B. ZINC-PLATED WITH WASHER