

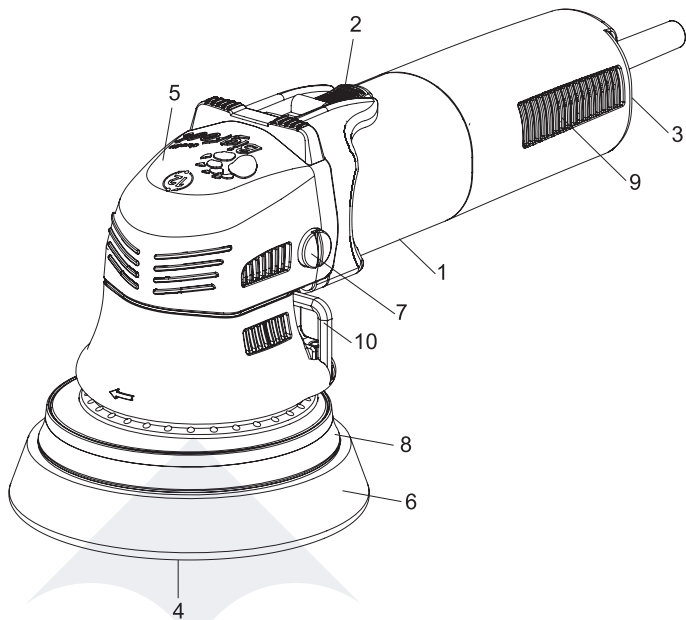
# RUPES®

## LHR12E - LHR75E

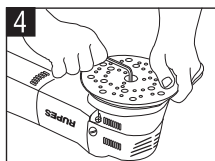
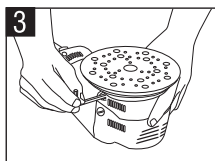
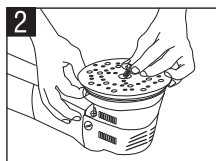
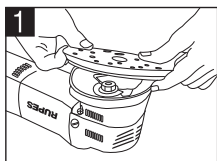
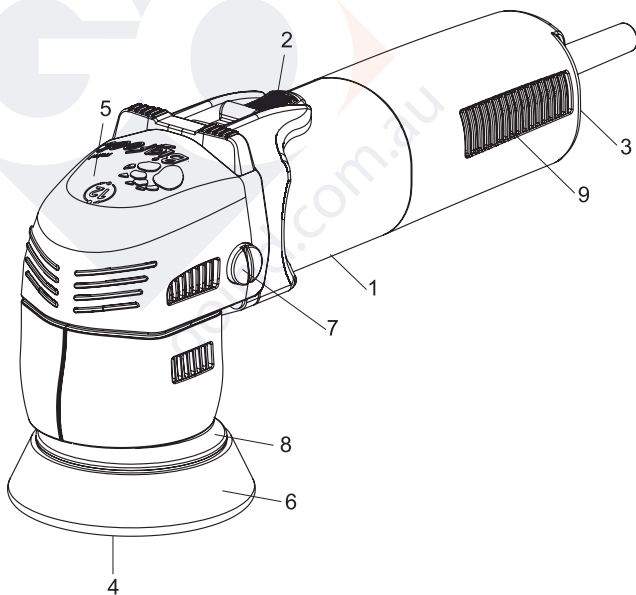


4 - (IT)	Lucidatrice	ISTRUZIONI ORIGINALI PER L'USO
6 - (EN)	Polisher	ORIGINAL OPERATING INSTRUCTIONS
8 - (FR)	Polisseuse	TRADUCTION DES INSTRUCTIONS DE FONCTIONNEMENT ORIGINALES
10 - (DE)	Polierer	ÜBERSETZUNG DES ORIGINALBETRIEBSANLEITUNG
12 - (ES)	Pulidora	TRADUCCIÓN DEL MANUAL DE INSTRUCCIONES ORIGINAL
14 - (PT)	Polidora	TRADUÇÃO DAS INSTRUÇÕES DE OPERAÇÃO ORIGINAIS
16 - (NL)	Polijstmachine	VERTALING VAN ORIGINELE GEBRUIKSAANWIJZING
18 - (FI)	Kiillotuskone	ALKUPERÄISTEN KÄYTTÖOHJEIDEN KÄÄNNÖS
20 - (DA)	Poleremaskine	OVERSÆTTELSE AF ORIGINALE BETJENINGSINSTRUKTIONER
22 - (SV)	Polermaskin	ÖVERSÄTTNING AV ORIGINAL DRIFTSINSTRUKTIONER
24 - (RU)	Полировальная машина	ПЕРЕВОД ОРИГИНАЛЬНОЙ ИНСТРУКЦИИ ПО ЭКСПЛУАТАЦИИ
26 - (PL)	Polerka	TŁUMACZENIE ORYGINALNYCH INSTRUKCJI OBSŁUGI
28 - (EL)	Στιλβωτής	ΜΕΤΑΦΡΑΣΗ ΠΡΩΤΟΤΥΠΩΝ ΟΔΗΓΙΩΝ ΛΕΙΤΟΥΡΓΙΑΣ
30 - (BG)	Полираща машина	ПРЕВОД НА ОРИГИНАЛНИ ИНСТРУКЦИИ ЗА ЕКСПЛОАТАЦИЯ
32 - (CS)	Leštička	PŘEKLAD ORIGINÁLNÍHO NÁVODU K OBSLUZE
34 - (ET)	Poleerija	ORIGINAALKASUTUSJUHENDI TÕLGE
36 - (HI)	पॉलशिर	इस्तेमाल के लिए मूल नर्देशों का अनुवाद
38 - (HU)	Polírozó	AZ EREDETI HASZNÁLATI UTASÍTÁS FORDÍTÁSA
40 - (LV)	Pulētājs	ORIGINĀLĀS LIETOŠANAS INSTRUKCIJAS TULKOJUMS
42 - (LT)	Poliravimo mašina	ORIGINALŲ NAUDOJIMO INSTRUKCIJŲ VERTIMAS
44 - (RO)	Mașină de lustruit	TRADUCEREA INSTRUCȚIUNILOR ORIGINALE DE OPERARE
46 - (SL)	Polirnik	PREVOD IZVIRNIH NAVODIL ZA DELOVANJE
48 - (SK)	Leštička	PREKLAD ORIGINÁLNEHO NÁVODU NA OBSLUHU
50 - (TR)	Polisaj makinesi	ORIJINAL KULLANIM TALİMATLARININ TERCÜMESİ
52 - (AR)	ع ي عملتلا ددع	فيلصلاللي عملتلا تاميلعت تمجرت
54 - (ZH)	抛光机	操作说明书原件翻译
56 - (JA)	ポリッシャー	元の操作手順の翻訳

# LHR 12E



# LHR 75E



TYPE	LHR 12E	LHR 75E
Ø POLISHING FOAM mm	130-150	80-100
Ø BACKING PAD mm	125	75
Ø ORBIT mm	12	12
POWER	400	400
R.P.M.	4000 ÷ 5500	4000 ÷ 5500
WEIGHT	2,3	2
ELECTRONIC SPEED CONTROL	•	•
INSULATION CLASS	II	II

The values shown are based on a nominal voltage of 230V/50Hz. In the case of voltages and frequencies of different power values may vary. Refer to the label technical specifications to the nominal values of the tool.

## PICTOGRAPH



Read the following instruction first before operating the product.



Important safety indications



Use personal protective equipment.



Double insulated tool.  
INSULATION CLASS II



CE compliant

## WARNINGS

The safety and accident prevention instructions are reported in the **“SAFETY INSTRUCTION”** booklet which is an integral part of these documents. This **operating instructions manual** indicates the additional information required for the specific use of the tool.

## CORRECT USAGE

**This tool is designed to be used as a polisher. Read all the warnings, instructions, indications provided on drawings and specifications supplied with this tool.** Failure to comply with all the instructions provided below may cause electrical shocks, fire and/or serious injuries.

**This tool is not intended to be used for smoothing, metal brushing and cutting operations.** The use of this tool for unintended applications may cause hazards and injuries to people.

**The tool must be used with accessories that have been specifically designed or recommended by the manufacturer.** The fixing of the accessory to the tool does not guarantee a safe operation.

**The rated speed of the accessories must be at least equivalent to the maximum speed specified on the tool.** Using the accessories at speeds above the rated one, may cause them to break or be projected into the air.

**The external diameter and thickness of the accessories must match the specifications of the tool.** Accessories with incorrect dimensions cannot be adequately protected or controlled.

**The configuration of accessories must match the tool.** The use of accessories that cannot be perfectly fitted on the tool may result in imbalance, excessive vibrations and in the impossibility of controlling the tool.


**Do not use damaged accessories. Before use, inspect all the accessories. Inspect the supporting pads and verify there are no cracks, tears or excessive wear. If the tool or accessory has fallen, verify that it is not damaged or install a new accessory. After inspecting or installing an accessory, test the operation of the tool at maximum speed and without**

**load for one minute, keeping at a safety distance.** If the accessories are damaged, they will break during this test.

## SPECIFIC SAFETY WARNINGS

**Verify that no loosened part of the polishing tool shroud or the locking ties can rotate freely. Safely position or cut all the loosened fixing wires. Loosened or revolving fixing wires may twist around the operator's fingers or get caught by the work piece being machined.**

## STARTING UP

 Voltage and power frequency must match the data displayed on the identification plate (1). Make sure that tool is switched off before plug is connected.

## TOOL ASSEMBLY

Position the cap (5) on the gearbox such that the holes for mounting the screws (7) are aligned with those on the gearbox.

## ACCESSORIES ASSEMBLY

### BACKING PAD

- Place the disc pad (8) in the centre;
- slightly turn the disc pad (8) until it is fixed to the screw;
- tighten the disc pad (4) fixing screw using the supplied disc pad Allen wrench (10). Do not tighten the disc pad if it is in the wrong position (fig.4).
- Lubricate the rubber shroud (11) with non-silicone based products.
- Ordinary maintenance: it 's necessary to periodically check the correct tightening of the screw (4) of the backing pad using the wrench supplied (10).

### POLISHING FOAM

Apply pressure on polishing pad to join pad to plate.

## START AND STOPPING

- **Handhold:** hold with both the hands, one on the head and the other one on the bottom of the tool housing. This is the only right grip.
- **Starting:** push the lever of the switch (2) handle.
- **Stopping:** push and release the lever (2) of the switch.



The tool continues to rotate after it is turned off.



Do not run to "empty" the tool with the polishing pad mounted. In this way, the polishing pad may be subject to lacerations

## SELECTING RPM

The rpm can be adjusted by rotating the wheel (3). The choice of speed depends on the characteristics of the abrasive disc and the material to be worked.

## ACCESSORIES DISASSEMBLY

### BACKING PAD

Unscrew pad's (9) mounting screw using the wrench (4).

### POLISHING FOAM

Remove the polishing foam used and apply the new one with pressing on the backing pad.

## ALLOWED ACCESSORIES

LHR 12E: polishing foam Ø 130-150 mm for backing pad Ø 125 mm.

LHR 75E: polishing foam Ø 80-100 mm for backing pad Ø 75 mm.

## NOISE EMISSION VALUES

Detected noise emission values comply with the following directives:

EN 62841

		LHR 12E	LHR 75E
SOUND PRESSURE LEVEL	dB(A)	79	79
SOUND POWER LEVEL	dB(A)	90	90
UNCERTAINTY (K)	dB(A)	3	3



Use ear protection!

## VIBRATION EMISSION VALUES

Detected vibration emission values comply with the following directives:

EN 62841

		LHR 12E	LHR 75E
3 AXIS VIBRATION LEVEL	m/s <sup>2</sup>	2.7	2.5
UNCERTAINTY (K)	m/s <sup>2</sup>	0.5	0.5

Displayed emission values are comparative and are to be employed for a provisional assessment of the operator's risk exposure during the work period. Appropriate evaluation of work period must also include tool's idle and stop periods. These emission values represent the tool's main applications. If the tool is used for other applications, with other accessories, or if it does not undergo regular maintenance, emission values can significantly increase during operations.



**Danger!** The indicated measurements refer to new power tools. Daily use causes the noise and vibration values to change.

## MAINTENANCE

All maintenance operations are carried out with the power supply disconnected.

At the end of each work session, or when required, remove any dust from the body of the tool using a jet of compressed air, paying particular attention to the motor ventilation slots.

**No other maintenance operations must be undertaken by the user.**

Maintenance and cleaning of the inner parts, like brushes, ball bearings, gears etc. or others, must be carried out only by an authorized customer-service workshop.

## DISPOSAL (WEEE DIRECTIVE)



**For EU countries only:** According to the European Directive on Waste from electrical and electronic equipment and its implementation in conformity with national standards, exhausted electrical equipment must be collected separately, in order to be recycled in an environmentally friendly way. The product, when it reaches the end of its life, must not be dispersed in the environment or thrown away as household waste. It must be disposed at authorized recycling centres (contact your local authorities to know where to dispose of the product according to the law). The correct disposal of the product contributes to the health and preservation of the environment. Illegal disposal of the product will entail penalties against the offenders.

## CONFORMITY DECLARATION

We declare on our responsibility that the represented tool is in conformity with the Essential Requirements of Safety of the following Directives:

**2006/42/EC, 2014/30/EU, 2011/65/EU.**

The tests have been carried out in accordance with the European Harmonised Standard

**EN 62841-1: 2015 + AC:2015**

**EN 62841-2-4: 2014 + AC:2015**

**EN 55014-1: 2017**

**EN 55014-2: 2015**

**EN 61000-3-2: 2014**

**EN 61000-3-3: 2013**

**EN 62233: 2008**

**EN IEC 63000: 2018.**

**RUPES** S.p.A. a socio unico

*G. Valentini*  
THE PRESIDENT  
G. Valentini

Vermezzo con Zelo (MI), 01/12/2021

Technical file at:

RUPES S.p.A. a socio unico

Via Marconi, 3/A - Loc. Vermezzo

20071 VERMEZZO CON ZELO (MI) Italy



RUPES S.p.A. a socio unico  
Via Marconi, 3/A - Loc. Vermezzo  
20071 VERMEZZO CON ZELO (MI) - Italy  
Tel. 02/946941  
Fax 02/94941040

Uff. Vendite e assistenza clienti  
Tel. 02/94694312

e-mail: [info\\_rupes@rupes.it](mailto:info_rupes@rupes.it)  
web: <http://www.rupes.com>

Sede legale:  
Viale Bianca Maria, 13 - 20122 MILANO - ITALY