

# TQ Pro

Trusted by serious professionals

## OWNERS MANUAL

### AIR HYDRAULIC 50,000KG

# WORKSHOP PRESS



**Professional  
Reputable  
Outstanding**

⊕ **STRONG** ⊕ **PRECISE** ⊕ **RELIABLE** ⊕ **WELL FINISHED**

**TQ Pro**  
Trusted by serious professionals

LATEST APPLIED TECHNOLOGIES



#### About the TQ Pro brand

TQ Pro top quality Tools and Equipment are designed and manufactured for specialist professional use in a garage and workshop environment. TQ Pro products are strong, reliable, and well finished for the expert tool user who appreciates professional design, reliability, and attention to detail. Covered by our 12month trade use warranty, our TQ Pro Tools & Equipment are made with pride to deliver the best combination of professional performance, presentation, and reliability.

Overall Width	Bed Width	Overall Height	Bed Inside	Overall Depth	Range (Min)	Range (Max)	Ram Travel	Ram Stroke	Screw Adjust	Ram Movement
930	750	1900	200	535	80	780	220	145	75	280

## WARNING INFORMATION

### IMPORTANT: READ ALL INSTRUCTIONS BEFORE USE

#### WARNING

The instructions and warnings contained in this manual should be read and understood before using or operating this equipment. Do not allow anyone to use or operate this equipment until they have read this manual and have developed a thorough understanding of how this equipment works. Failure to observe any of the instructions contained in the manual could result in severe personal injury to the user or bystanders, or cause damage to the equipment and property. Keep this manual in a convenient and safe place for future reference.

Whilst every effort has been made to ensure accuracy of information contained in this manual, the **TQ Pro** policy of continuous improvement determines the right to make modifications without prior warning.

## CONTENT

WARNING INFORMATION .....	2
CONTENT .....	2
SAFETY INSTRUCTIONS.....	2
ASSEMBLY, OPERATION & PREVENTATIVE MAINTENANCE.....	3
PARTS LIST .....	8
WARRANTY.....	9

## SAFETY INSTRUCTIONS

#### SAFETY OPERATING INSTRUCTIONS

- This Workshop Press has been designed for general bending, toughening, axis and bearing extraction work etc.
- Never use this press for applications that should not be performed by a Workshop Press.
- Always use the appropriate tool for each specific task.
- Handle the Workshop Press correctly and ensure that all parts and components are in good condition and that no parts are missing prior to its use.
- The Workshop Press should only be used by authorised person how have read and understood the contents of this manual.
- Always position the Workshop Press against a wall. If the Workshop Press is situated in the open workshop, it is essential that a guard be placed at the rear of the unit.
- The Workshop Press foot need to be amounted on the ground!
- The operator must wear protective cloth, gloves, safety helmet, shoes and ear protection during operating.
- To avoid accidents, always be aware of any on-going work on the machine.
- Always stay focused on the job to be done.
- Do not modify the press in any way. The Safety Valve should not be tampered with under any circumstances.
- Never exceed the rated capacity of the press and V-blocks.
- Non-compliance with these instructions may result in injury to the user, damage to the press or the piece being manipulated.
- The manufacturer accepts no responsibility for the improper use of the press or the component
- Use the right product for the job. There are certain applications for which the Workshop Press was designed.
- Do not modify the Workshop Press and do not use the Workshop Press for a purpose for which it was not intended.

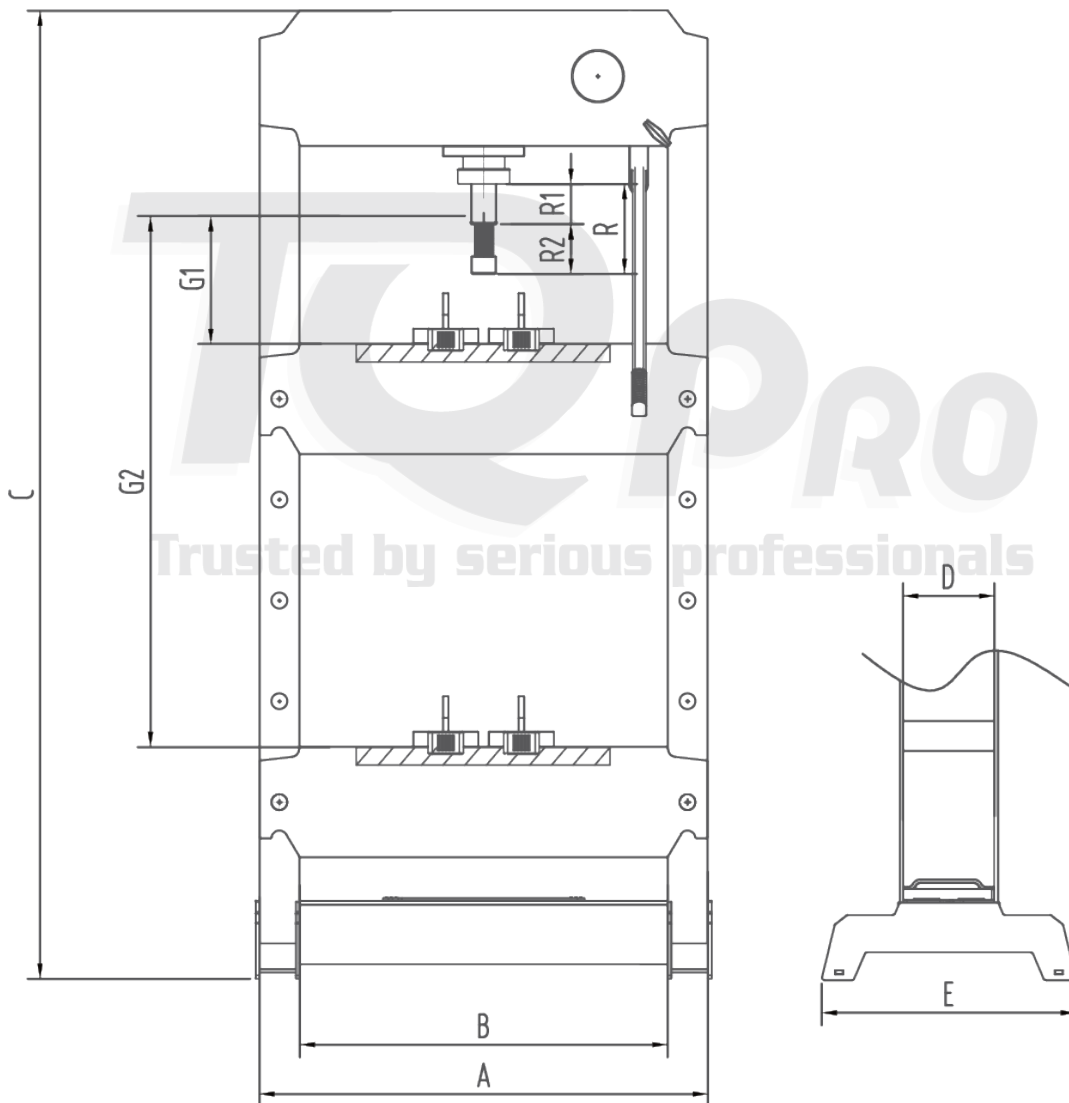
**ASSEMBLY, OPERATION & PREVENTATIVE MAINTENANCE**

**1. FEATURES**

This **TQ Pro** 50,000kg Hydraulic Workshop Press is perfect for straightening, stamping, bending and pressing any component that is hard to handle. Polished inner cylinder walls extend the life of the hydraulic seals to minimize abrasion and wear, while the cylinder ram and pistons are also polished and chromed, guided by high performance seals, wear rings and dust seals. Includes a dial gauge for dual metric/tons pressure readings. The **TQ Pro** Hydraulic Workshop Press frames are designed for maximum strength, reliability and durability. The strong frames and powerful high-pressure hydraulics will provide years of dependable service in many applications.

*About TQ Pro*

**TQ Pro** top quality Tools and Equipment are designed and manufactured for specialist *professional use in a garage and workshop* environment. **TQ Pro** products are strong, reliable, and well finished for the expert tool user who appreciates professional design, reliability, and attention to detail. Covered by our **12 month trade use warranty**, our **TQ Pro** Tools & Equipment are made with pride to deliver the best combination of professional performance, presentation, and reliability.

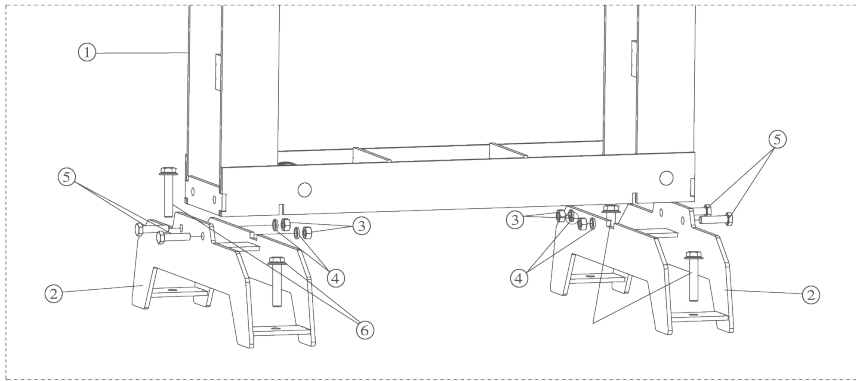


A	B	C	D	E	G1	G2	R	R1	R2	M
Overall Width	Bed Width	Overall Height	Bed Inside	Overall Depth	Range (Min)	Range (Max)	Ram Travel	Ram Stroke	Screw Adjust	Ram Movement
930	750	1900	200	535	80	780	220	145	75	280

Measurements = Millimetres

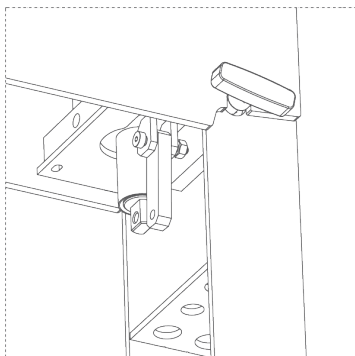
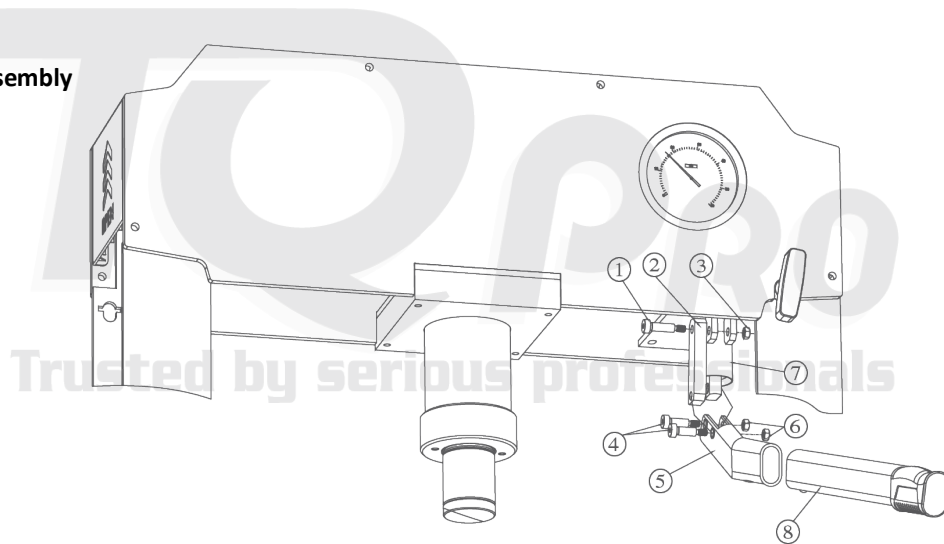
## 2. ASSEMBLY

### a) Leg Assembly

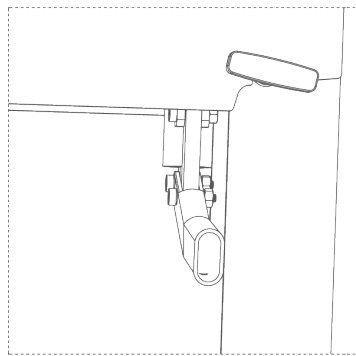


1. Assemble (1) and (2) with (3, 4 & 5). Then firmly secure the bolt nuts.
2. Fix 4 screws (6) into the concrete floor.

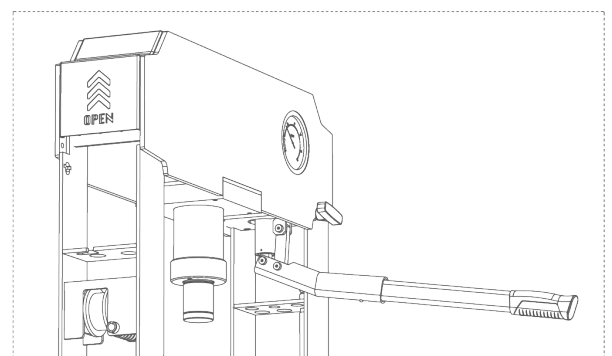
### b) Pump Handle Assembly



**Step1:** Assemble (2) with (1) & (3)

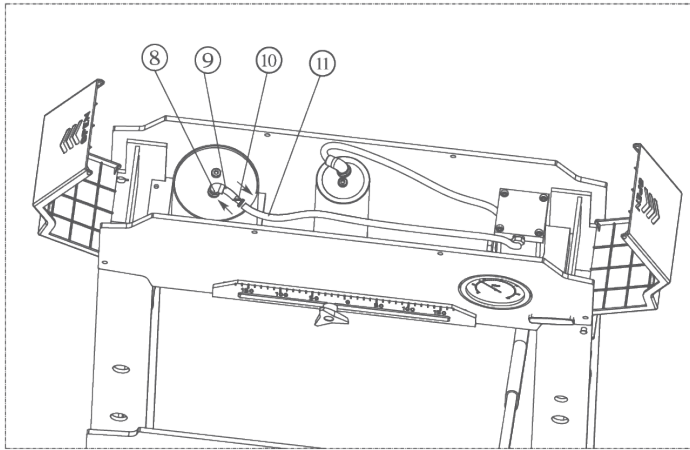


**Step2:** Assemble (5) with (4) & (7), then connect (4) & (2)

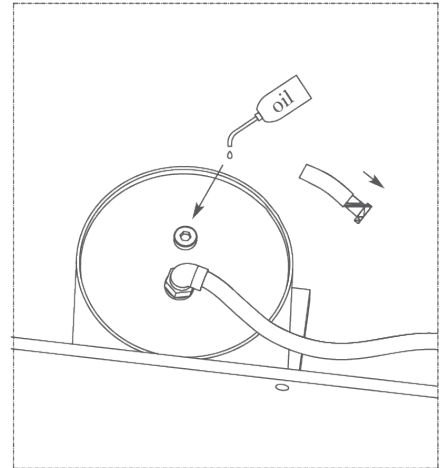


**Step3:** Assemble (8) & (5)

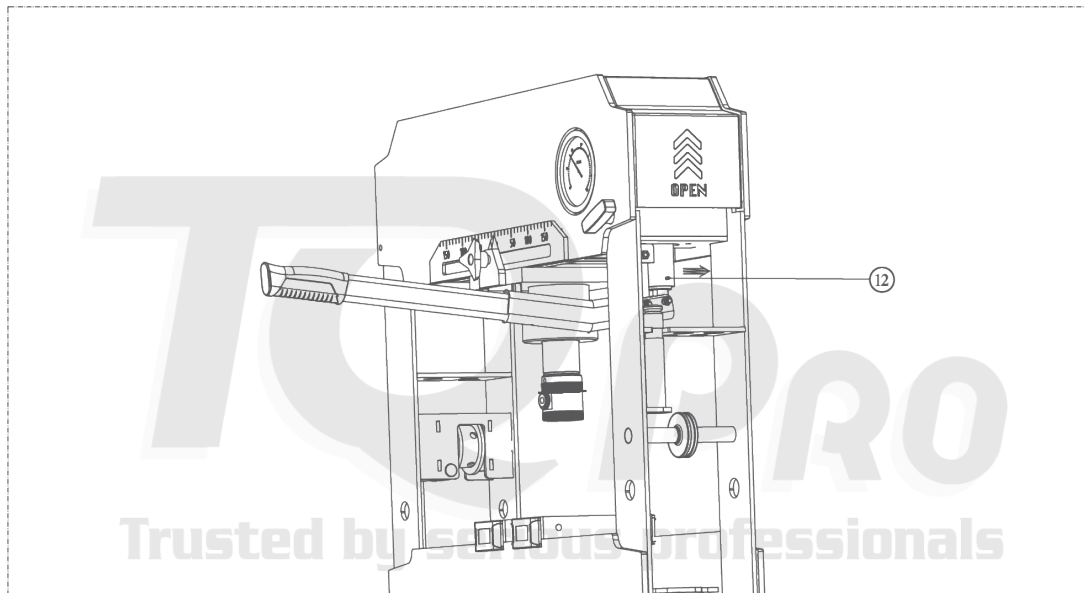
### c) Connect Pneumatic Pump



Pull out the hose and screw nut of (9), (10) from (8)



Connect the hose (11) with (8)



Pull out (12)

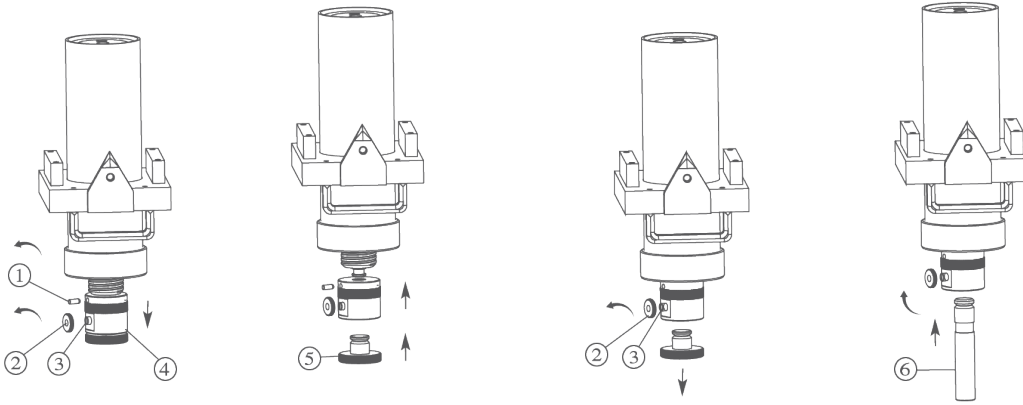
### 3. BEFORE USE

1. Ensure the operator has read and understands the manual prior to operating the Workshop Press
2. Prior to operation ensure the Workshop Press is on a level, even, solid surface.
3. Ensure all parts are in place and tightened.
4. Leave clearance around the press to ensure easy access
5. The V Blocks must be used as a pair only

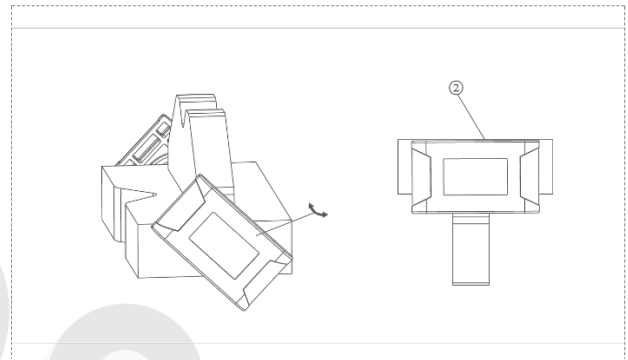
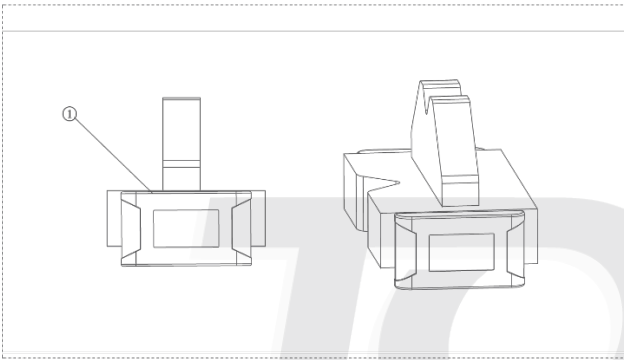
### 4. OPERATION

1. Close the release valve by turning it to the right until it is firmly closed.
2. Activate the hydraulic pump until the piston approaches the workpiece.
3. Align the workpiece and the piston so that the workpiece is properly centred.
4. Activate the hydraulic pump to apply pressure to the workpiece.
5. When the work is finished, stop the hydraulic pump and open the release valve to remove the workpiece.

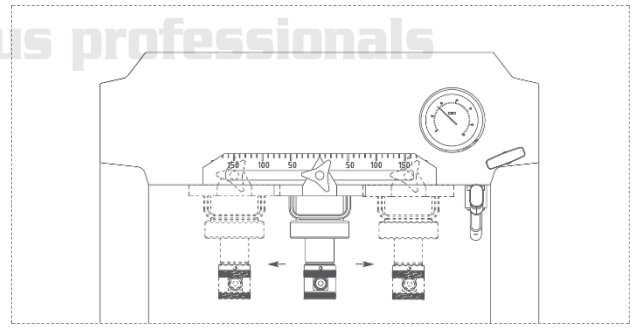
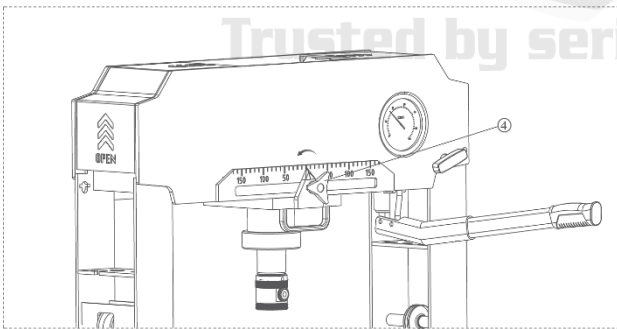
### Saddle & Pin Sets Operation



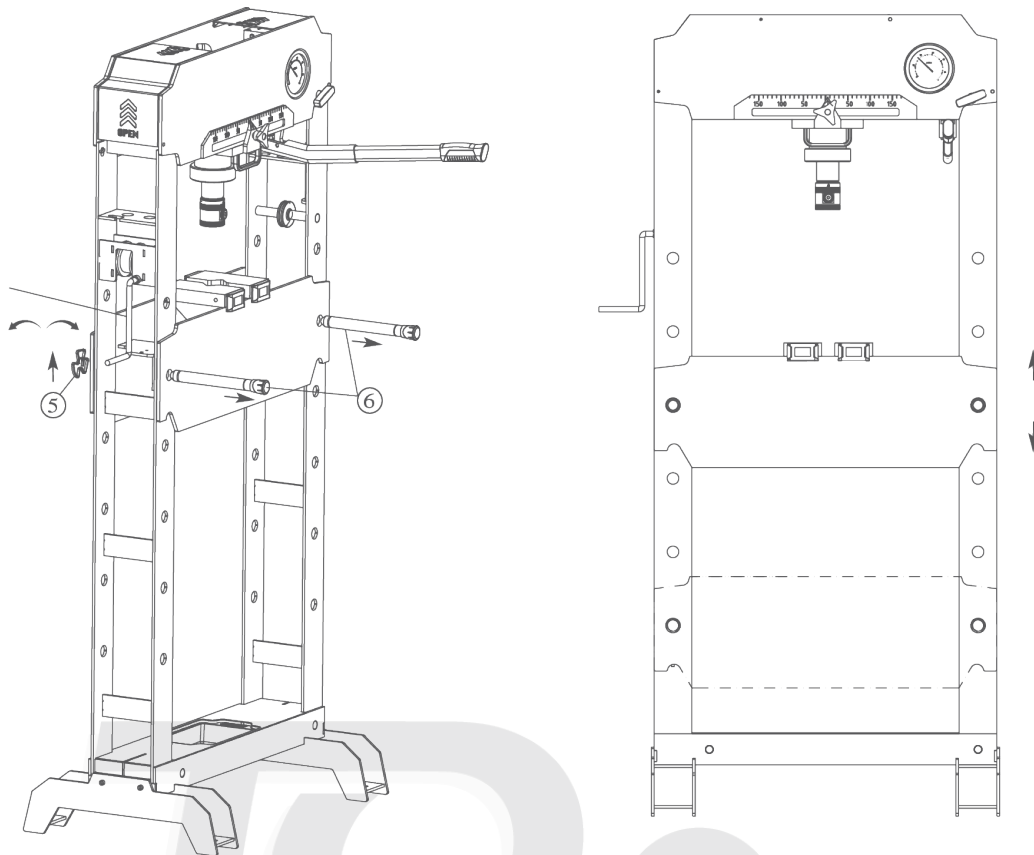
### V-Block Operations



### Moveable Ram Operation



## Adjustable Working Table Operation



### WARNING

Do not use damaged/deformed product. If an abnormal noise or vibration occurs, **STOP** using the press immediately.

## 5. MAINTENANCE

*Trusted by serious professionals*

It is recommended that a maintenance inspection be performed regularly.  
 Keep the Workshop Press clean and well lubricated to prevent foreign matter from entering the system.  
 Lubricate the axes and moving parts at regular intervals.  
 All parts of the Workshop Press should be kept clean and protected at all times.  
 Always use original spare parts.

## 6. STORAGE

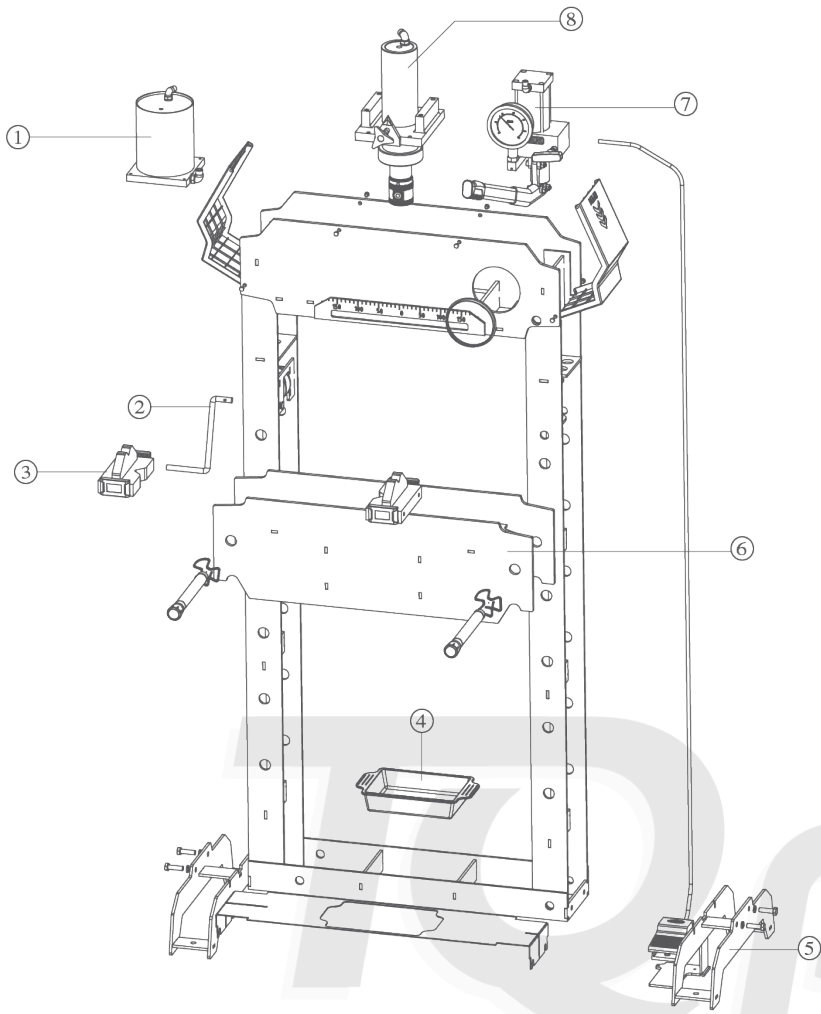
Store the Workshop Press with the pistons completely retracted, in a well-protected area away from corrosive vapours, abrasive dust or any harmful elements.

It is recommended that a maintenance inspection be performed regularly.

## 7. SERVICE & REPAIR

Any *TQ Pro* Workshop Press found damaged in any way, or found to be worn or operates abnormally should be removed from service until repaired by an authorised service agent. Owners and / or operators should be aware that repair of this product may require specialised equipment and knowledge. Only authorised parts, labels, decals shall be used on this equipment. Annual inspection of the Workshop Press is recommended and can be made by an authorised repair facility to ensure that your equipment is in optimum condition and that the equipment has the correct decals and safety labels specified by the manufacturer.

**PARTS LIST**



Part #	Description
1	Oil Tank
2	Winch Handle
3	V-Blocks
4	Spare Parts Tray
5	Foot
6	Working Table
7	Pump
8	Cylinder

**Trusted by serious professionals**

*TQ Pro top quality Tools and Equipment are designed and manufactured for specialist professional use in a garage and workshop environment. TQ Pro products are strong, reliable, and well finished for the expert tool user who appreciates professional design, reliability, and attention to detail. Covered by our 12 month trade use warranty, our TQ Pro Tools & Equipment are made with pride to deliver the best combination of professional performance, presentation, and reliability.*

+ **STRONG**  
+ **PRECISE**  
+ **RELIABLE**  
+ **WELL FINISHED**

**TQ PRO**  
 Trusted by serious professionals

**LATEST APPLIED TECHNOLOGIES**



## WARRANTY

**TQ Pro** products have been carefully tested and inspected before shipment and are guaranteed to be free from defective materials and workmanship for a period of 12 months from the date of purchase except where tools are hired out when the guarantee period is ninety days from the date of purchase.

Should the machine develop any fault, please return the complete tool to your nearest authorised warranty repair agent or contact TQB Brands Pty Ltd Warranty team – [warranty@tqbbrands.com.au](mailto:warranty@tqbbrands.com.au).

If upon inspection it is found that the fault occurring is due to defective materials or workmanship, repairs will be carried out free of charge. This guarantee does not apply to normal wear and tear, nor does it cover any damage caused by misuse, careless or unsafe handling, alterations, accident, or repairs attempted or made by any personnel other than the authorised TQB Brands Pty Ltd repair agent.

This guarantee applies in lieu of any other guarantee expressed or implied and variations of its terms are not authorised.

Your TQB Brands Pty Ltd guarantee is not effective unless you can produce upon request a dated receipt or invoice to verify your proof of purchase within the 12 month period.

### Consumer Guarantee

Our goods come with a guarantee that cannot be excluded under the Australian Consumer Law. You are entitled to a replacement or refund for a major failure and compensation for any other reasonably foreseeable loss or damage. You are also entitled to have the goods repaired or replaced if the goods fail to be of acceptable quality and the failure does not amount to a major failure.



All images and illustrations shown are for reference purposes only. All information, specifications and illustrations in this manual are based on the latest information available at the time of publication and are subject to change without notice. The information in this manual is periodically revised to ensure the latest information is included. Download the latest version of this manual and other related technical documentation from [www.tqbbrands.com.au](http://www.tqbbrands.com.au).