

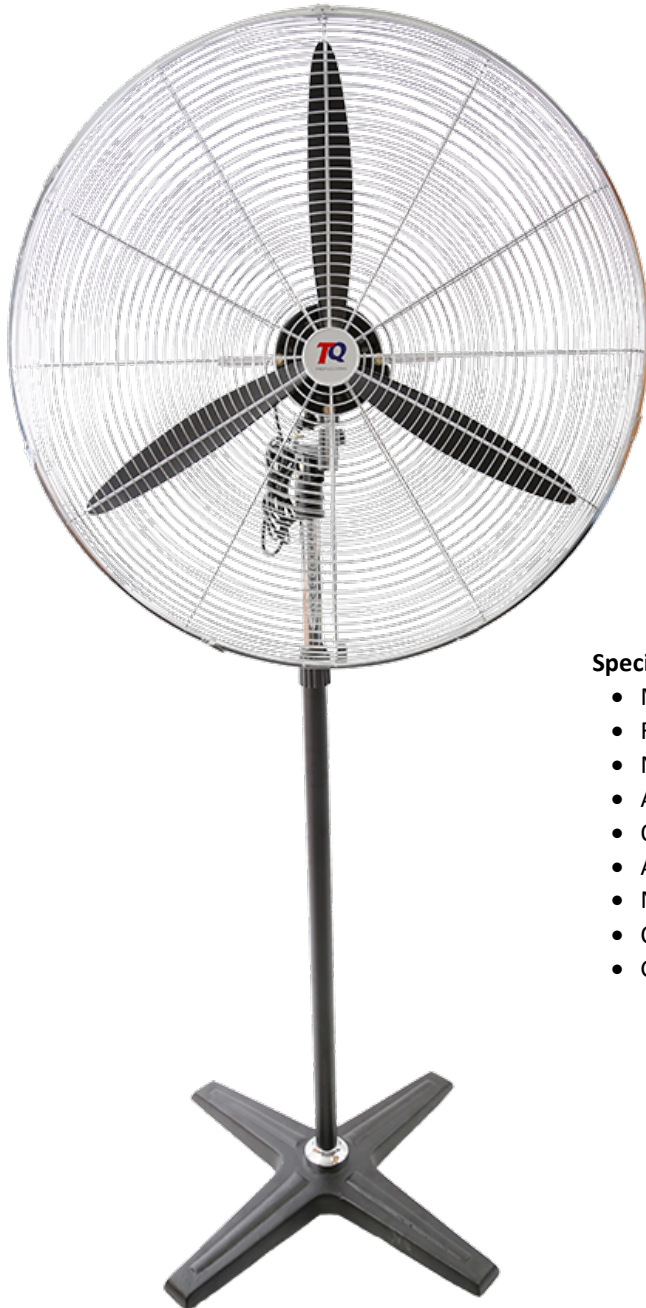
Owners Manual

Product Code: 1015

**MADE FOR THE
TRADE**

TQ TRADEQUIP
the trusted brand in equipment

PEDESTAL FAN



Specifications:

- Motor: 240V/50Hz/280W 3 Speed
- Fan Blade: Cast Alloy 750mm 3 Blades
- Noise Level: 86dB(A)
- Air Delivery: 300m³/min
- Oscillating Angle: 0° to 90°
- Adjustable Height: 1235 to 1760mm (Blade Centre)
- Nett Weight: 21kg
- Carton: 840 x 840 x 180mm
- Gross Weight: 23kg

About the TradeQuip brand

The 'TradeQuip' brand of workshop equipment, is designed for use in a demanding workshop environment by professional users. With proven and trusted "Made for the Trade" reliability, 'TradeQuip' branded products offer the very best in performance for an affordable price. All backed by a 1year trade guarantee across 1,000+ distributors Australia wide.

TQ TRADEQUIP
the trusted brand in equipment

TQpro
Trusted by serious professionals

BORUM
INDUSTRIAL WORKSHOP EQUIPMENT

WARNING

IMPORTANT: READ ALL INSTRUCTIONS BEFORE USE



WARNING

The instructions and warnings contained in this manual should be read and understood before using or operating this equipment. Do not allow anyone to use or operate this equipment until they have read this manual and have developed a thorough understanding of how this equipment works. Failure to observe any of the instructions contained in the manual could result in severe personal injury to the user or bystanders, or cause damage to the equipment and property. Keep this manual in a convenient and safe place for future reference.

Whilst every effort has been made to ensure accuracy of information contained in this manual, the TQB Brands Pty Ltd policy of continuous improvement determines the right to make modifications without prior warning.

CONTENT

WARNING	2
CONTENT	2
STANDARD OPERATING PROCEDURE	3
ASSEMBLY, OPERATION, PREVENTITIVE MAINTENANCE.....	4
PARTS LIST STAND FAN	6
WARRANTY	7

goind.com.au

STANDARD OPERATING PROCEDURE

DO NOT use this machine unless you have been trained and assessed to a competent level in its safe use and operation, and have been given permission to use this



Safety glasses must be worn when operating this equipment



Long loose hair must be contained when operating this equipment



Safety footwear must be worn when operating this equipment



Close fitting/protective clothing must be worn when operating this equipment



Rings and jewellery must not be worn when operating this equipment

PRE-OPERATIONAL SAFETY CHECKS

Save these instructions. For your safety, read, understand, and follow the information provided.

- When servicing, use only TradeQuip identical replacement parts. Use of any other parts will void the warranty. Ensure the Pedestal Fan is disconnected from power before servicing.
- Use the right product for the job. There are certain applications for which the Pedestal Fan was designed.
- Do not modify the Pedestal Fan and do not use the Pedestal Fan for a purpose for which it was not intended.
- This product is intended for indoor use only.
- Always operate the product from a power source of the same voltage, frequency and rating as indicated on the product identification plate.
- To reduce the risk of electric shock, do not use this fan with any solid-state speed control device.
- This electrical appliance is not intended for use by persons (including children) with reduced physical, sensory or mental capabilities, or lack of experience and knowledge, unless they have been given supervision or instruction concerning use of the appliance by a person responsible for their safety.
- Do not insert fingers or any other foreign object through the front and rear grills into the blade.
- Close supervision is necessary when any product is used by or near children or infirm persons. Do not allow children to use it as a toy.
- Do not operate any product with a damaged cord or plug, after the product malfunctions, is dropped or appears damaged in any way. Return the complete product to the place of purchase for inspection, repair, or replacement.
- To reduce the risk of electric shock, do not immerse or expose the product or flexible cord to rain, moisture, or any liquid.
- This product should not be used in the immediate vicinity of water, such as sinks, bathtubs, washbowls, swimming pool, etc. where the likelihood of immersion or splashing could occur.
- Switch off and unplug from outlet when not in use, before assembling or disassembling parts, and before cleaning. Fully assemble the fan before switching on.
- Avoid contact with moving parts. Do not insert any object through the grill when the fan is operating.
- Do not cover the grill, or operate in close proximity to curtains, etc.
- Always disconnect the fan when moving it from one location to another.
- The use of attachments or accessories not recommended or sold by the product distributor may cause personal or property hazards or injuries.

INTENDED USE

This equipment is intended to be used for cooling industrial or trade workshop/office environments by airflow circulation. Best used to cool when directed at a small area.

This product is an Industrial Product and not suitable for household use.

ASSEMBLY, OPERATION, PREVENTITIVE MAINTENANCE

1. FEATURES

This **TradeQuip "Made for the Trade"** Oscillating Pedestal Fan is powered by a vented, steel-cased 3-speed 240V 280W motor that delivers up to 300m³ per minute. High-temperature resettable thermal auto reset and durable bearings allow operation in high temperatures. Non-corroding aerodynamically balanced cast aluminium blades provide quiet operation. Adjust the 15° fan head tilt adjustment and double-locking guard to direct the airflow wherever necessary.

The *TradeQuip* Workshop Fans are commercial quality, industrial duty fans ideal for cooling large open workshop areas in the hottest Australian climates. Conforms to Australian Standards requirements.

2. BEFORE USE

Prior to each use conduct a visual inspection by checking for abnormal conditions, such as cracked joins and damaged, loose, or missing parts.

Ensure that the fan is disconnected from the mains supply before removing the guards.

If the electrical cord is ever found to be damaged, it must be replaced by the manufacturer, service agent or similarly qualified persons in order to avoid a hazard.

3. ASSEMBLY

Assemble the Pedestal Base to the Telescopic Support Column:

- a) Whilst holding the base [23] on its side, push the Telescopic Support Column [21] into the Pedestal Base [23].
- b) Secure the Telescopic Support Column [21] to the base [9]; using the bolt (27) and washers (24,25,26) and firmly tighten.

Attach the Fan Motor to the Telescopic Support Column

- a) Locate the fixing hole on the motor locating tube & align the hole with the hole in the telescopic stand [17] & push in place.
- b) To secure the fan motor to the telescopic stand [17]. use the long bolt and washer and push through the lower hole & tighten, using the short bolt push through the upper hole and tighten.
- c) Ensure the cable clip (14) is secured so that the cable does not become trapped during oscillation

Attach the rear Safety Grill to the Fan Motor

- a) Align the rear safety grill (2) to the fan motor housing so that the fan grill securing hole is at the bottom of the fan and align the four screw holes.
- b) Firmly tighten all the four screws.

Attach the Fan Blade to the Fan Motor

- a) Rotate the fan motor shaft until the rebated flat area on the shaft is in the 12 o'clock position.
- b) Locate the lock screw in the fan blade coupling; while aligning the screw and motor shaft rebated flat area push the Fan Blade (3) all the way onto the shaft and firmly tighten the grub screw by rotating in a clockwise direction.

Attach the front Safety Grill to the Fan Motor

- a) Align the top locking clip on the Front Grill (2) to the top centre of the Rear Grill (8) that has already been secured to the fan motor. Lock the side and bottom clips in place.
- b) Secure the front & rear safety grills together using the fan grill securing hole in the bottom of the fan grill by inserting the fixing screw and nut provided.
- c) Push the centre plate onto the front of the grill with the TQ logo level or horizontal.

4. OPERATING INSTRUCTIONS

Oscillating Control:

The oscillation pattern can be adjusted from 0-90 degrees. When the adjusting screw is moved towards the rotating axle, the fan will oscillate less of an angle. The longer-the distance from adjusting screw, the larger the oscillating angle will be. Before you change the oscillating angle, disconnect the 240V power supply, then loosen the adjusting screw and adjust to obtain a satisfactory angle.

Change of the wind direction:

If you want to change the direction of the air circulation, disconnect the power supply and loosen the direction adjustment bolt to adjust the direction of the fan head to required position and re-tighten the bolt. It is not necessary to move the base of the fan.

Upward and downward adjustment:

Disconnect the power, hold the head of fan, loosen the adjustment bolt and stopping bolt, adjust the fan to satisfactory position and tighten up the two bolts. When adjusting the angle of the fan, ensure to keep it within the groove of the lower connection. *If you do not follow these instructions, the oscillating function may wear and stop working.*

Head angle adjustment:

Disconnect the power. Loosen the locking bolt, adjust the fan head to ideal position and then tighten up the locking bolt. In order to avoid the fan head falling down suddenly ensure the fan head is securely held when the locking bolts are being loosened.

Adjustment of air volume:

Turn the switch on the back of the fan head to control the operation of the fan to adjust air volume, "1-3" speeds indicate different air volume.

5. STORAGE

This TradeQuip Industrial Pedestal Fan should always be stored in a dry location on a level surface.

When you stop using the fan, you should clean the fan, pack it and put it in dry places, be careful not to damage the fan blade.

6. MAINTENANCE

Disconnect power prior to any maintenance

Inspect the general condition of the Pedestal Fan checking:

- for loose hardware
- cracked, bent, or broken parts, and
- any other condition that may affect the Pedestal Fan safe operation

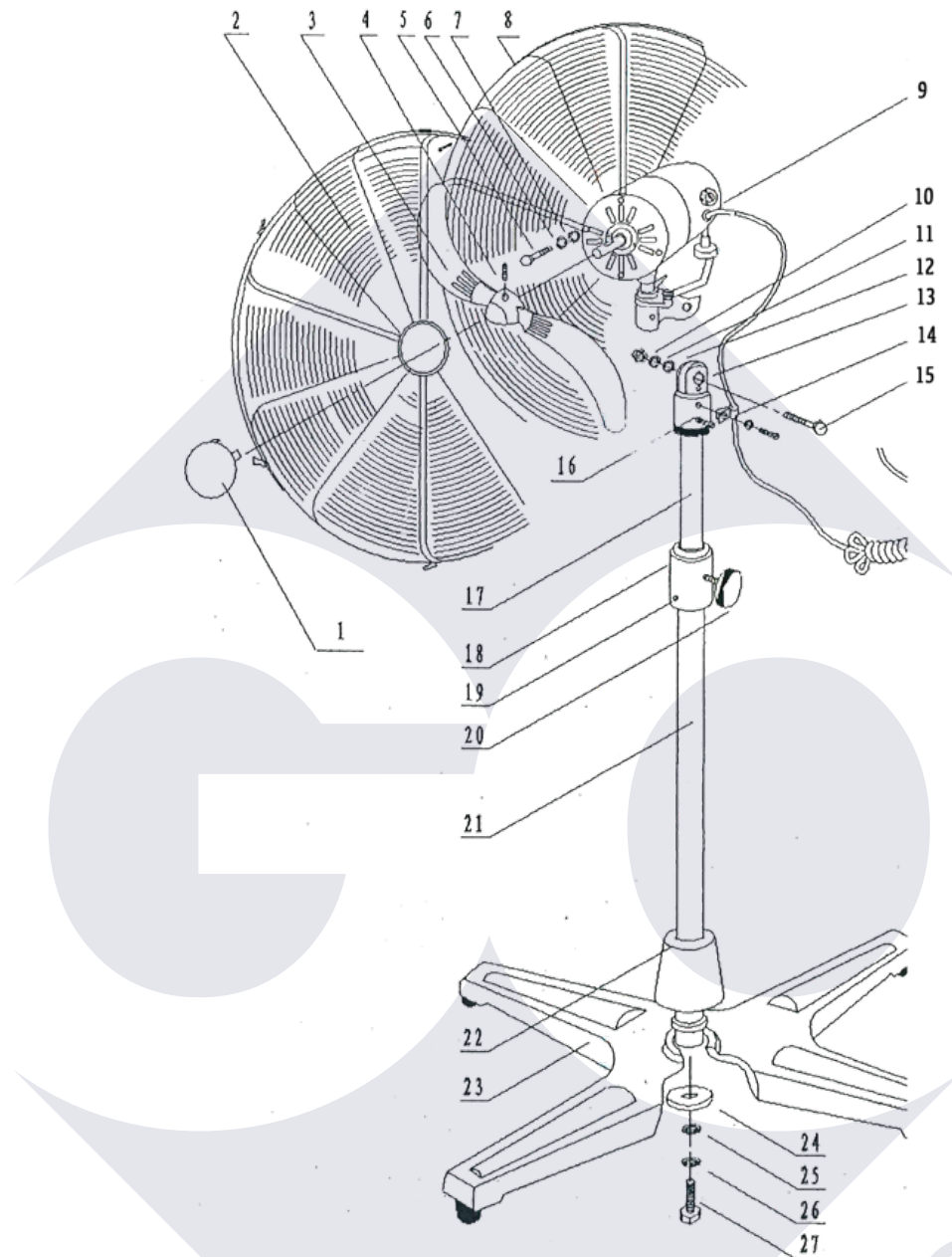
Grease Change:

After the fan is operated over 2,000 hours (or at least once a year), the grease in the gear box and bearing should be changed.

7. SERVICE & REPAIR

Any TradeQuip Industrial Pedestal Fan found damaged in any way, or found to be worn or operates abnormally should be removed from service until repaired by an authorised service agent. Owners and / or operators should be aware that repair of this product may require specialised equipment and knowledge. Only authorised parts, labels and decals shall be used on this equipment. Annual inspection of this Pedestal Fan is recommended and can be made by an authorised repair facility to ensure that your equipment is in optimum condition and that the equipment has the correct decals and safety labels specified by the manufacturer.

PARTS LIST STAND FAN



Part #	Description	QTY
1	Centre Plate	1
2	Front Grill	1
3	Fan Blade	1
4	Screw	1
5	Bolt	4
6	Spring Washer	4
7	Washer	4
8	Rear Grill	1
9	Motor	1
10	Nut	1
11	Spring Washer	1
12	Washer	1
13	Lower Connection	1
14	Wiring Clip	1

Part #	Description	QTY
15	Bolt	1
16	Screw	1
17	Flex Support	1
18	Fixing Cover	1
19	Fixing Screw	1
20	Locking Bolt	1
21	Support Column	1
22	Separating Cover	1
23	Pedestal Base	1
24	Gasket	1
25	Gasket	1
26	Spring Washer	1
27	Bolt	1

WARRANTY

TradeQuip "Made for the Trade" products have been carefully tested and inspected before shipment and are guaranteed to be free from defective materials and workmanship for a period of 12 months from the date of purchase except where tools are hired out when the guarantee period is ninety days from the date of purchase.

Should this piece of equipment develop any fault, please return the complete tool to your nearest authorised warranty repair agent or contact TQB Brands Pty Ltd Warranty team – warranty@tqbbrands.com.au.

If upon inspection it is found that the fault occurring is due to defective materials or workmanship, repairs will be carried out free of charge. This guarantee does not apply to normal wear and tear, nor does it cover any damage caused by misuse, careless or unsafe handling, alterations, accident, or repairs attempted or made by any personnel other than the authorised TQB Brands Pty Ltd repair agent.

This guarantee applies in lieu of any other guarantee expressed or implied and variations of its terms are not authorised.

Your TQB Brands Pty Ltd guarantee is not effective unless you can produce upon request a dated receipt or invoice to verify your proof of purchase within the 12month period.

Consumer Guarantee

Our goods come with a guarantee that cannot be excluded under the Australian Consumer Law. You are entitled to a replacement or refund for a major failure and compensation for any other reasonably foreseeable loss or damage. You are also entitled to have the goods repaired or replaced if the goods fail to be of acceptable quality and the failure does not amount to a major failure.



All images and illustrations shown are for reference purposes only. All information, specifications and illustrations in this manual are based on the latest information available at the time of publication and are subject to change without notice. The information in this manual is periodically revised to ensure the latest information is included. Download the latest version of this manual and other related technical documentation from www.tqbbrands.com.au