

Owners Manual

Product Code: 1020T

MADE FOR THE
TRADE

TQ TRADEQUIP
the trusted brand in equipment

**ENGINE
SUPPORT BAR**

GO
goind.com.au



Specifications:

- Safe Working Capacity: 500kg
- Minimum Extension: 1020mm
- Maximum Extension: 1430mm
- Nett Weight: 19kg
- Carton: 1530 x 120 x 120mm
- Gross Weight: 20kg

About the TradeQuip brand

The 'TradeQuip' brand of workshop equipment, is designed for use in a demanding workshop environment by professional users. With proven and trusted "Made for the Trade" reliability, 'TradeQuip' branded products offer the very best in performance for an affordable price. All backed by a 1year trade guarantee across 1,000+ distributors Australia wide.

TQ TRADEQUIP
the trusted brand in equipment

TQPRO
Trusted by serious professionals

BORUM
INDUSTRIAL WORKSHOP EQUIPMENT

WARNING

IMPORTANT: READ ALL INSTRUCTIONS BEFORE USE



WARNING

The instructions and warnings contained in this manual should be read and understood before using or operating this equipment. Do not allow anyone to use or operate this equipment until they have read this manual and have developed a thorough understanding of how this equipment works. Failure to observe any of the instructions contained in the manual could result in severe personal injury to the user or bystanders, or cause damage to the equipment and property. Keep this manual in a convenient and safe place for future reference.

Whilst every effort has been made to ensure accuracy of information contained in this manual, the TQB Brands Pty Ltd policy of continuous improvement determines the right to make modifications without prior warning.

CONTENT

WARNING.....	2
CONTENT.....	2
STANDARD OPERATING PROCEDURE	3
ASSEMBLY, OPERATION, PREVENTITIVE MAINTENANCE	4
PARTS DIAGRAM	5
PARTS LIST.....	5
WARRANTY	6

goind.com.au

STANDARD OPERATING PROCEDURE

DO NOT use this machine unless you have been trained and assessed to a competent level in its safe use and operation, and have been given permission to use this



Safety glasses must be worn when operating this equipment



Long loose hair must be contained when operating this equipment



Safety footwear must be worn when operating this equipment



Close fitting/protective clothing must be worn when operating this equipment



Rings and jewellery must not be worn when operating this equipment

PRE-OPERATIONAL SAFETY CHECKS

Save these instructions. For your safety, read, understand, and follow the information provided.

- Before using the engine support bar ensure it is in sound condition, and good working order.
- Replace or repair damaged parts. *Use recommended parts only. Non-authorized parts may be dangerous and will invalidate the warranty.*
- Keep the engine support bar clean for best and safest performance.
- Locate the engine support bar in an adequate working area for its function, keep area clean and tidy and free from unrelated materials, and ensure there is adequate lighting.
- Maintain correct balance and footing. Ensure the floor is not slippery and wear non-slip shoes.
- Ensure all non-essential persons keep a safe distance whilst the engine support bar is in use.
- Lock all knobs securely in position before fixing a load, and ensure the load is centred across the engine support bar.
- Always ensure the engine support bar and the load is stable.
- DO NOT operate unit if damaged.
- DO NOT allow untrained persons to operate the engine support bar.
- DO NOT exceed the rated capacity of 500kg.
- **DANGER:** DO NOT work under an engine mounted on the engine support bar.

Intended Use

Safely supports an engine in place during repairs such as replacing engine mounts or removing the transmission or transaxle without removing the engine.

ASSEMBLY, OPERATION, PREVENTITIVE MAINTENANCE

1. FEATURES

The 1020T 500kg Engine Support Bar accepts a wide variety of engines and transmissions. This engine support bar comes with everything needed to perform work on your engine or transmission, including a steel beam, standing block and brackets, adjusting screw, rubber-moulded cushion, steel chain with handles, hooks and hardware. The rubber padded support legs prevent slips as well as damage to paint. The engine support is designed only to support the engine so that parts or mechanisms underneath the engine, which normally have limited access, can be reached.

2. BEFORE USE

Prior to each use conduct a visual inspection by checking for abnormal conditions, such as cracked joints and damaged, loose, or missing parts.

3. OPERATING INSTRUCTIONS

1. Refer to the vehicle owner's manual of the engine to be lifted to determine the lifting points.
2. Park the car on a flat surface, apply the parking brakes and chock the wheels.
3. Never try to move a running or hot engine. Allow sufficient time for the engine to cool down entirely before beginning any operations.
4. Loosen Spreader Knobs (2) and adjust Standing Block (8) and Bracket (9), to locate Rubber Cushions (10) over the gutter lips adjacent to the fenders of the car.
5. Centre the engine support bar assembly over the engine and tighten the Spreader Knobs (2)
6. Attach the Chains (12) to the engine at the appropriate lifting points, then loop the Chains securely to the flange on the bottom of the Adjustable Screw Hooks (11).
7. Turn the Screw Hook Handles (5) clockwise until the Chains are taut and the engine is held securely.
8. Loosen engine mounts. Turn the Screw Hook Handles (5) at 1/4 clockwise turns until the entire engine's weight is supported by the chains. Continue to loosen and disconnect the engine mounts.
9. Never work on the engine while it is supported only by the Engine Support Bar. Moving the engine whilst it is suspended only by the Engine Support Bar can cause the Engine Support Bar to fail or shift, resulting in serious personal injury and/or property damage.
10. To prevent accidents, lower and reconnect the engine when finished working. The Engine Support Bar is not intended to be used as a long-term suspension device.
11. Clean, then store the tool indoors out of children's reach.

4. STORAGE

This Engine Support Bar should always be stored in a dry location on a level surface.

5. MAINTENANCE

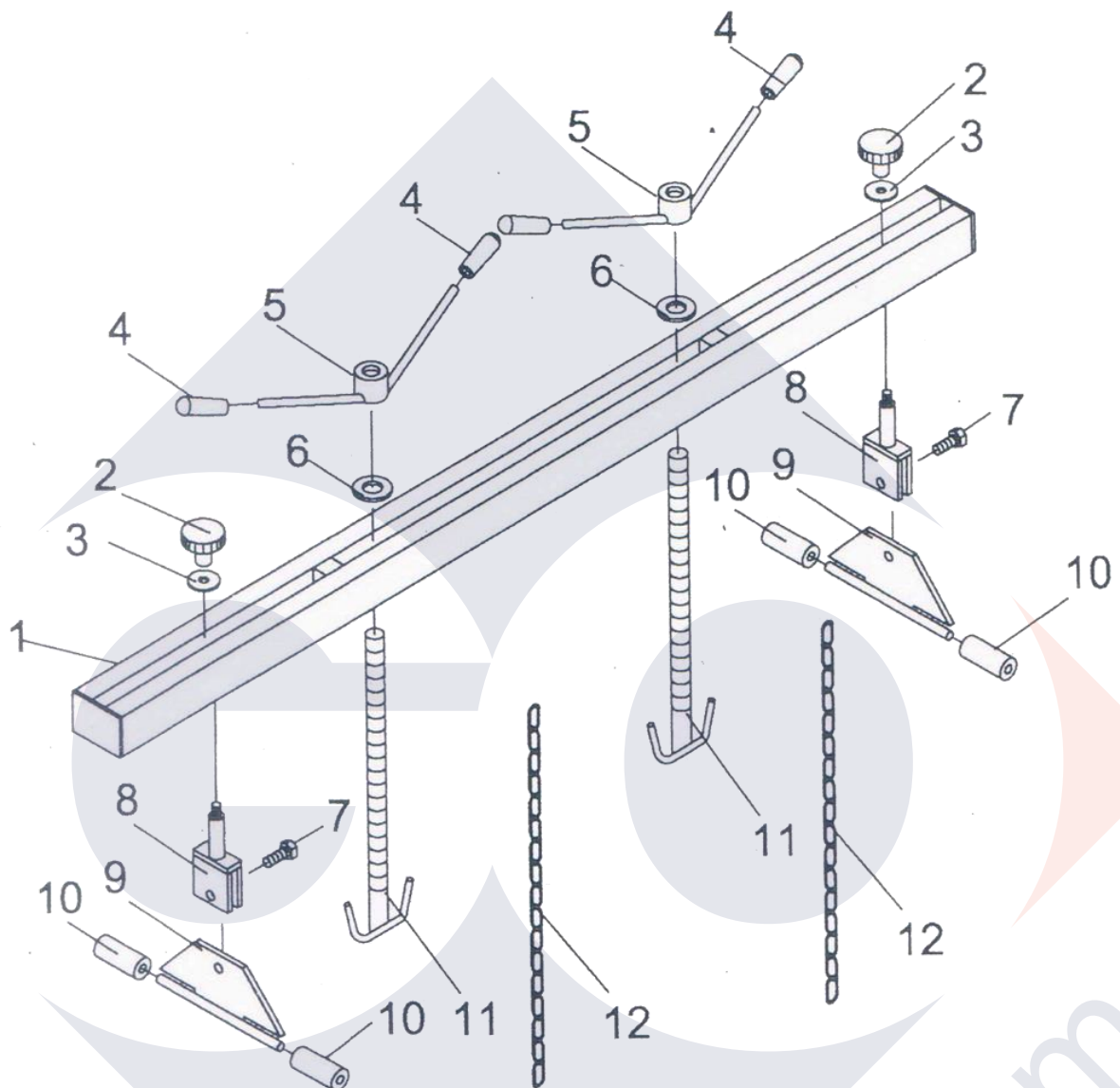
Replace or repair damaged parts. Use recommended parts only. Non-authorized parts may be dangerous and will invalidate the warranty.

Keep the Engine Support Bar clean for best and safest performance.

6. SERVICE & REPAIR

Any Engine Support Bar found damaged in any way, or found to be worn or operates abnormally should be removed from service until repaired by an authorised service agent. Owners and / or operators should be aware that repair of this product may require specialised equipment and knowledge. Only authorised parts, labels and decals shall be used on this equipment. Annual inspection of the engine stand is recommended and can be made by an authorised repair facility to ensure that your equipment is in optimum condition and that the equipment has the correct decals and safety labels specified by the manufacturer.

PARTS DIAGRAM



PARTS LIST

Part	Description	Qty
1	Beam	1
2	Spreader Knob	2
3	Washer	2
4	Handle Sleeve	4
5	Screw Hook Handle	2
6	Washer	2

Part	Description	Qty
7	Bolt M12x25	2
8	Standing Block	2
9	Standing Bracket	2
10	Rubber Cushion	4
11	Adjustable Screw Hook	2
12	Chain	2

WARRANTY

Tradequip products have been carefully tested and inspected before shipment and are guaranteed to be free from defective materials and workmanship for a period of 12 months from the date of purchase except where tools are hired out when the guarantee period is ninety days from the date of purchase.

Should the machine develop any fault, please return the complete tool to your nearest authorised warranty repair agent or contact TQB Brands Pty Ltd Warranty team – warranty@tqbbrands.com.au.

If upon inspection it is found that the fault occurring is due to defective materials or workmanship, repairs will be carried out free of charge. This guarantee does not apply to normal wear and tear, nor does it cover any damage caused by misuse, careless or unsafe handling, alterations, accident, or repairs attempted or made by any personnel other than the authorised TQB Brands Pty Ltd repair agent.

This guarantee applies in lieu of any other guarantee expressed or implied and variations of its terms are not authorised.

Your TQB Brands Pty Ltd guarantee is not effective unless you can produce upon request a dated receipt or invoice to verify your proof of purchase within the 12month period.

Consumer Guarantee

Our goods come with a guarantee that cannot be excluded under the Australian Consumer Law. You are entitled to a replacement or refund for a major failure and compensation for any other reasonably foreseeable loss or damage. You are also entitled to have the goods repaired or replaced if the goods fail to be of acceptable quality and the failure does not amount to a major failure.



All images and illustrations shown are for reference purposes only. All information, specifications and illustrations in this manual are based on the latest information available at the time of publication and are subject to change without notice. The information in this manual is periodically revised to ensure the latest information is included. Download the latest version of this manual and other related technical documentation from www.tqbbrands.com.au