

Owners Manual

Product Code: 1025

**MADE FOR THE
TRADE**

TQ TRADEQUIP
the trusted brand in equipment

VENTILATION FAN

GO
goind.com.au



Specifications:

- Diameter: 300mm Alloy Multi Blade Fan
- Motor: 240V/50Hz
- Noise Level: 92dB(A)
- Power: 520W
- Speed: 2800rpm
- Air Delivery: 60m³/per minute
- Static Pressure: 343Pa
- Dimensions: 405(H) x 320(W) x 358(L) mm
- Weight: 14kg
- Carton 1 of 2: 420 x 360 x 430mm (Weight: 10.5kg)
- Carton 2 of 2: 320 x 320 x 220mm (Weight: 4kg)

About the TradeQuip brand

The 'TradeQuip' brand of workshop equipment, is designed for use in a demanding workshop environment by professional users. With proven and trusted "Made for the Trade" reliability, 'TradeQuip' branded products offer the very best in performance for an affordable price. All backed by a 1year trade guarantee across 1,000+ distributors Australia wide.

TQ TRADEQUIP
the trusted brand in equipment

TQpro
Trusted by serious professionals

BORUM
INDUSTRIAL WORKSHOP EQUIPMENT

WARNING

IMPORTANT: READ ALL INSTRUCTIONS BEFORE USE



WARNING

The instructions and warnings contained in this manual should be read and understood before using or operating this equipment. Do not allow anyone to use or operate this equipment until they have read this manual and have developed a thorough understanding of how this equipment works. Failure to observe any of the instructions contained in the manual could result in severe personal injury to the user or bystanders, or cause damage to the equipment and property. Keep this manual in a convenient and safe place for future reference.

Whilst every effort has been made to ensure accuracy of information contained in this manual, the TQB Brands Pty Ltd policy of continuous improvement determines the right to make modifications without prior warning.

CONTENT

WARNING 2

CONTENT 2

STANDARD OPERATING PROCEDURE 3

OPERATION, PREVENTITIVE MAINTENANCE..... 4

PARTS LIST 5

WARRANTY 6

goind.com.au

STANDARD OPERATING PROCEDURE

DO NOT use this machine unless you have been trained and assessed to a competent level in its safe use and operation, and have been given permission to use this



Safety glasses must be worn when operating this equipment



Long loose hair must be contained when operating this equipment



Safety footwear must be worn when operating this equipment



Close fitting/protective clothing must be worn when operating this equipment



Rings and jewellery must not be worn when operating this equipment

PRE-OPERATIONAL SAFETY CHECKS

Save these instructions. For your safety, read, understand, and follow the information provided.

- When servicing, use only Tradequip identical replacement parts. Use of any other parts will void the warranty.
- Ensure the Ventilation Fan is disconnected from power before servicing.
- Use the right product for the job. There are certain applications for which the Pedestal Fan was designed.
- Do not modify the Ventilation Fan and do not use the Ventilation Fan for a purpose for which it was not intended.
- This product is intended for indoor use only.
- Always operate the product from a power source of the same voltage, frequency and rating as indicated on the product identification plate.
- To reduce the risk of electric shock, do not use this fan with any solid-state speed control device.
- This appliance is not intended for use by persons (including children) with reduced physical, sensory or mental capabilities, or lack of experience and knowledge, unless they have been given supervision or instruction concerning use of the appliance by a person responsible for their safety.
- Do not insert fingers or any other foreign object through the front and rear grills into the blade.
- Close supervision is necessary when any product is used by or near children or infirm persons. Do not allow children to use it as a toy.
- Do not operate any product with a damaged cord or plug, after the product malfunctions, is dropped or appears damaged in any way. Return the complete product to the place of purchase for inspection, repair, or replacement.
- To reduce the risk of electric shock, do not immerse or expose the product or flexible cord to rain, moisture, or any liquid.
- This product should not be used in the immediate vicinity of water, such as sinks, bathtubs, washbowls, swimming pool, etc. where the likelihood of immersion or splashing could occur.
- Switch off and unplug from outlet when not in use, before assembling or disassembling parts, and before cleaning. Fully assemble the fan before switching on.
- Avoid contact with moving parts. Do not insert any object through the grill when the fan is operating.
- Do not cover the grill, or operate in close proximity to curtains, etc.
- Always disconnect the fan when moving it from one location to another.
- The use of attachments or accessories not recommended or sold by the product distributor may cause personal or property hazards or injuries.

INTENDED USE

This equipment is intended to be used for cooling industrial or trade workshop/office environments by airflow circulation. Best used to cool when directed at a small area.

This product is an Industrial Product and not suitable for household use.

OPERATION, PREVENTIVE MAINTENANCE

1. FEATURES

This Tradequip **"Made for the Trade"** Ventilation Fan is powered by a 240V 520W motor that delivers up to 65m³ per minute. High-temperature resettable thermal auto reset and durable bearings allow operation in high temperatures. Non-corroding aerodynamically balanced blades allow quiet operation.

The **"TQ Pro"** series of **"Made for the Trade"** workshop fans are heavily constructed industrial duty quality fans ideal for ventilating workshop areas in the hottest Australian climates.

2. BEFORE USE

Prior to each use conduct a visual inspection by checking for abnormal conditions, such as cracked joints and damaged, loose, or missing parts.

Ensure that the fan is switched off from the supply mains before removing the guards.

If the supply cord is damaged, it must be replaced by the manufacturer, service agent or similarly qualified persons in order to avoid a hazard.

3. OPERATION

Caution: Prior to plugging the Ventilation Fan into a 240V power outlet ensure the ON/OFF switch is in the off position.

Exhausting Contaminated Air: If the ventilation fan is used to exhaust contaminated air from a workplace such as a tank or welding booth, the fumes collected should be ducted to the outside of your work area or building using the ducting supplied with this unit. The ventilation fan should be located as close as possible to both the operation and the outside of the building.

Note: Fitting the ventilation duct may reduce the airflow by approximately 5-15 CFM.

Note: Each 90° change in air flow direction (as with an elbow) may reduce the airflow by approximately 15-20 CFM.

Change of the wind direction:

If you want to change the direction of the air circulation, always disconnect the power supply before repositioning the fan.

4. STORAGE

This Floor Fan should always be stored in a dry location on a level surface.

When you stop using the fan, you should clean the fan, pack it and put it in dry places, be careful not to damage the fan.

5. MAINTENANCE

Disconnect power prior to any maintenance

Inspect the general condition of the Floor Fan checking:

- for loose hardware
- cracked, bent, or broken parts, and
- any other condition that may affect the Floor Fan safe operation

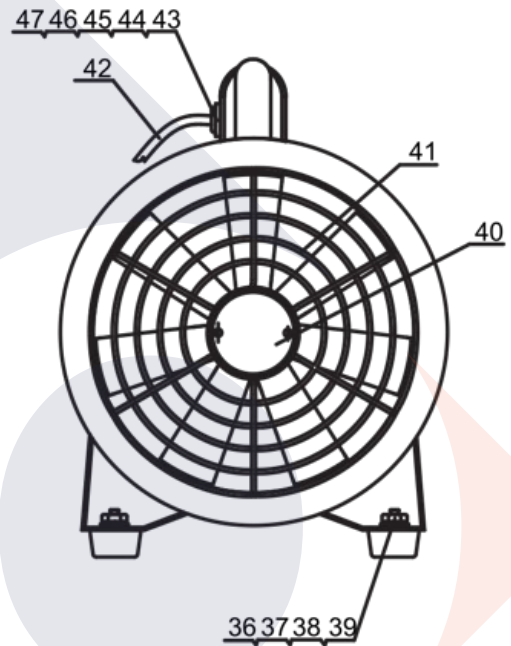
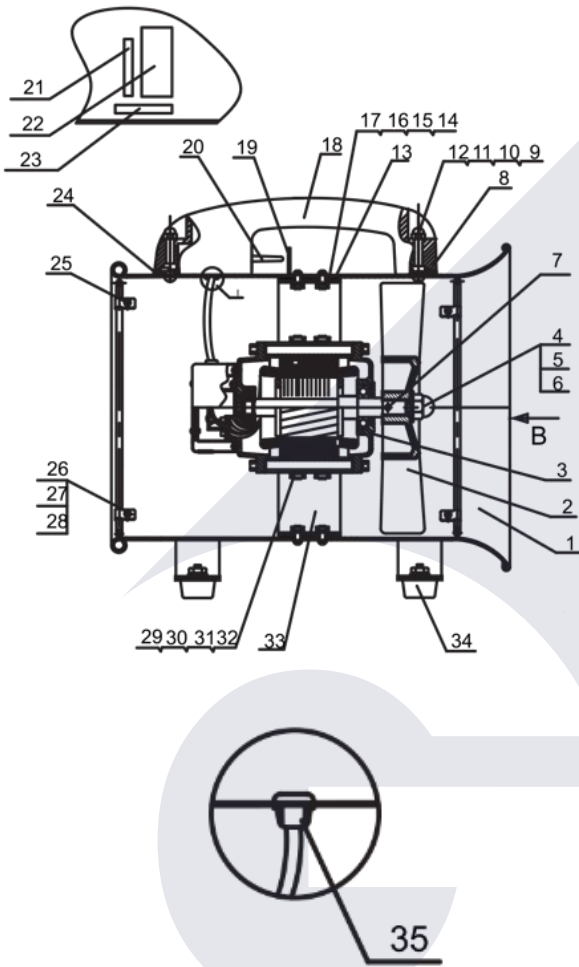
Grease Change:

After the fan is operated over 2000 hours (or at least once a year), the grease in the gear box and bearing should be changed.

6. SERVICE & REPAIR

Any Floor Fan found damaged in any way, or found to be worn or operates abnormally should be removed from service until repaired by an authorised service agent. Owners and / or operators should be aware that repair of this product may require specialised equipment and knowledge. Only authorised parts, labels and decals shall be used on this equipment. Annual inspection of the Floor Fan is recommended and can be made by an authorised repair facility to ensure that your equipment is in optimum condition and that the equipment has the correct decals and safety labels specified by the manufacturer.

PARTS LIST



Part #	Description	QTY
1	Cylinder	1
2	Fan Blade	1
3	Motor Assembly	1
4	Washer	1
5	Spring Washer	1
6	Combined Cap Nut	1
7	Cross Pin	1
8	Handle Small Blocks	1
9	Washer	2
10	Spring Washer	2
11	Cross Recessed Pan Head Screws	2
12	Washer	2
13	Spring Washer	4
14	Cross Recessed Pan Head Screws	8
15	Washer	8
16	Spring Washer	8
17	Nut	8
18	SHT Plastic Handle	1
19	Switch Plate	1
20	Button Switch	1
21	Direction Sign	1
22	Name Plate	1
23	Turning Marking	1
24	Handle Large Blocks	1

Part #	Description	QTY
25	Network Board	8
26	Washer	8
27	Spring Washer	8
28	Cross Recessed Pan Head Screws	8
29	T Slot Bolt	8
30	Washer	8
31	Spring Washer	8
32	Nut	8
33	Motor Bracket	4
34	The Ottomans	4
35	Line Deduction	1
36	Cross Recessed Pan Head Screws	4
37	Washer	4
38	Spring Washer	4
39	Nut	4
40	Net Label	2
41	Safety Net	2
42	Power Cord	1
43	Protective Cover Plate	1
44	Cross Recessed Pan Head Screws	2
45	Washer	2
46	Spring Washer	2
47	Nut	2

WARRANTY

Tradequip products have been carefully tested and inspected before shipment and are guaranteed to be free from defective materials and workmanship for a period of 12 months from the date of purchase except where tools are hired out when the guarantee period is ninety days from the date of purchase.

Should this piece of equipment develop any fault, please return the complete tool to your nearest authorised warranty repair agent or contact TQB Brands Pty Ltd Warranty team – warranty@tqbbrands.com.au.

If upon inspection it is found that the fault occurring is due to defective materials or workmanship, repairs will be carried out free of charge. This guarantee does not apply to normal wear and tear, nor does it cover any damage caused by misuse, careless or unsafe handling, alterations, accident, or repairs attempted or made by any personnel other than the authorised TQB Brands Pty Ltd repair agent.

This guarantee applies in lieu of any other guarantee expressed or implied and variations of its terms are not authorised.

Your TQB Brands Pty Ltd guarantee is not effective unless you can produce upon request a dated receipt or invoice to verify your proof of purchase within the 12month period.

Consumer Guarantee

Our goods come with a guarantee that cannot be excluded under the Australian Consumer Law. You are entitled to a replacement or refund for a major failure and compensation for any other reasonably foreseeable loss or damage. You are also entitled to have the goods repaired or replaced if the goods fail to be of acceptable quality and the failure does not amount to a major failure.



All images and illustrations shown are for reference purposes only. All information, specifications and illustrations in this manual are based on the latest information available at the time of publication and are subject to change without notice. The information in this manual is periodically revised to ensure the latest information is included. Download the latest version of this manual and other related technical documentation from www.tqbbrands.com.au