

Owners Manual

Product Code: 1027T

**MADE FOR THE
TRADE**

TQ TRADEQUIP
the trusted brand in equipment

EVAPORATIVE COOLER



Specifications

- Power Unit: 240V 50Hz 550W
- Max. Air Flow: 18,000 m3 per hour
- Noise Level: 70dB(A)
- Fan Diameter: 750mm (3 Blade)
- Speed Control: 3-speed
- Effective Cooling Area: 100-150m2
- Water Consumption; 12-18 Litres per hour
- Water Tank Capacity: 100 Litres
- Castor Wheels: 100mm Dia (2 with brakes)
- Dimension: 1510(H) x 1120(W) x 680(D)
- Nett Weight 58kg
- Carton: 1510 x 1120 x 680mm
- Gross Weight 68kg

Scan for Important Information



WARNING**IMPORTANT: READ ALL INSTRUCTIONS BEFORE USE****WARNING**

This appliance is not intended for use by persons (including children) with reduced physical, sensory or mental capabilities, or lack of experience and knowledge, unless they have been given supervision or instruction concerning use of the appliance by a person responsible for their safety.

Children should be supervised to ensure that they do not play with the appliance. If the supply cord is damaged, it must be replaced by the manufacturer, its service agent, or similarly qualified persons in order to avoid a hazard.

When the appliance is not in use and before cleaning:

- Unplug the appliance from the outlet first
- Ensure that the fan is switched off from the supply mains before removing the guard
- Care should be taken when using the appliance due to the emission of hot water vapour; unplug the appliance during filling and cleaning.

The instructions and warnings contained in this manual should be read and understood before using or operating this equipment. Do not allow anyone to use or operate this equipment until they have read this manual and have developed a thorough understanding of how this equipment works. Failure to observe any of the instructions contained in the manual could result in severe personal injury to the user or bystanders, or cause damage to the equipment and property. Keep this manual in a convenient and safe place for future reference.

Whilst every effort has been made to ensure accuracy of information contained in this manual, the TQB Brands Pty Ltd policy of continuous improvement determines the right to make modifications without prior warning.

CONTENT

WARNING	2
CONTENT	2
STANDARD OPERATING PROCEDURE	3
ASSEMBLY, OPERATION, PREVENTITIVE MAINTENANCE.....	4
PARTS DIAGRAM.....	6
PARTS KEY COMPONENTS	7
TROUBLESHOOT	8
WARRANTY	9

STANDARD OPERATING PROCEDURE

DO NOT use this equipment unless you have been trained and assessed to a competent level in its safe use and operation, and have been given permission to use this



DO NOT tilt the unit



DO NOT operate the unit with wet or damp hands

PRE-OPERATIONAL SAFETY CHECKS

Save these instructions. For your safety, read, understand, and follow the information provided.

- When servicing, use only TradeQuip identical replacement parts. Use of any other parts will void the warranty.
- Ensure the Evaporative Cooler is disconnected from power before servicing.
- Use the right product for the job. There are certain applications for which the Evaporative Cooler was designed.
- Do not modify the Evaporative Cooler and do not use the Evaporative Cooler for a purpose for which it was not intended.
- For cleaning purposes only remove the guard "The Fan is to be Switched Off from the Power Supply) prior to removing the guard
- This appliance is not intended for use by persons with a lack of experience and knowledge.
- If the supply cord is damaged, it must be replaced by the manufacturer, its service agent or similarly qualified persons in order to avoid a hazard.

OPERATING CONDITIONS:

- Temperature: 18°C to 45°C; Water temperature: <45°C
- Power supply must not exceed the required voltage (+/-) 5%.
- Air supply must be largely free of dust or extra cleaning is required.
- Protect the power cable from vehicle and foot traffic. Connection to incorrect electric voltage, or faulty installation, may cause risk of electric shock.
- Keep doors and windows open to allow fresh air to enter, and treated air to exit, when the cooler is in operation.
- Flashing red light on the control panel means water level in reservoir is low.
- Rinse the reservoir with fresh water and clean prior to use after a period when the cooler has not been in operation.
- Take care when moving the cooler, especially when it is full of water to avoid the cooler from overbalancing, which may cause the cooler to tip over, which may cause injury and/or damage to the cooler.
- To prevent build-up of algae and other biological organisms in the reservoir, regularly add chlorine/bromine tablets as per tablet manufacturer recommendation for use in evaporative cooler reservoirs.

INTENDED USE

This equipment is intended for cooling industrial or trade workshop/office environments. Best used in hot dry climates where the humidity is low, evaporative coolers are generally suitable for areas with dry summers, although their effectiveness will be reduced during the occasional periods of high humidity weather.

This product is an Industrial Product and not suitable for household use.

ASSEMBLY, OPERATION, PREVENTITIVE MAINTENANCE

1. FEATURES

This TradeQuip *"Made for the Trade"* Portable Evaporative Cooling unit is perfectly suited to smaller work areas, yet still delivers an impressive amount of air output. Huge in performance, this easy-to-operate unit produces up to 18,000 cubic metres of airflow per hour. It is fitted with a rugged, weather-resistant one-piece moulded polyethylene housing that will not crack or leak. The remote control 3-speed fan forces warm air over rigid water soaked evaporative cooling media to reduce ambient temperatures by up to 10°C. Adjustable swing louvre feature that offers swinging airflow and allows you to adjust the cooled air output to where you need it.

An evaporative cooler (also known as a desert cooler or wet air cooler) is a device that cools air through the evaporation of water. These units are well suited for climates where the air is hot and humidity is low. They combine the natural cooling properties of water with a steady breeze to lower indoor temperatures. Evaporative cooling will provide a substantial energy savings over refrigerated air units, while the simplicity of the design results in low maintenance requirements.

With the substantial savings of energy and the constant changes in the air, a portable evaporative cooler is ideally suited for area cooling or spot cooling of rooms, workshops, factories, laundries, schools, agricultural sheds, and more.

2. BEFORE USE

Prior to each use conduct a visual inspection by checking for abnormal conditions, such as cracked joins and damaged, loose, or missing parts.

The cooler is a high-tech product, showing simplicity and outstanding reliability, due to its European design origin.

Its working principle is that water evaporation uses up the surrounding heat and causes the temperature to cool down.

When water is continuously distributed onto the cooling pad surface, the air being drawn through the pad causes the water to evaporate, making the air cooler and fresher.

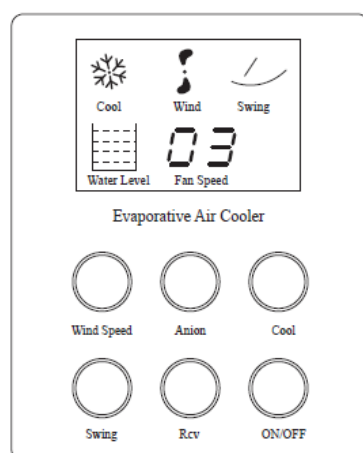
The circulating water moves down to the reservoir, where it is again pumped up by the water pump. If the hose option is being used, a float valve keeps the reservoir full continuously. If filled manually, the big 100 Litre capacity reservoir ensures hours of uninterrupted operation. There is level indicator to quickly check the amount of water remaining.

3. OPERATION

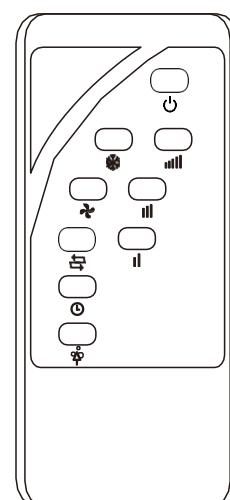
- Temperature: 18°C to 45°C; Water temperature: <45°C.
- Power supply must not exceed the required voltage (+/-) 5%.
- Air supply must be largely free of dust or extra cleaning is required.

Keypad Control Panel	Keypad Instructions
ON/Off	This turns the cooler ON or Off
COOL	This activates the cooling function. Note that there is a delay of 1 minute before the fan starts while the cooling pads become wet
SPEED	Pressing SPEED will select low, medium or high fan speed
SWING	This activated/deactivates SWING function
TIMER (Delayed Start)	The TIMER setting can be used to start the cooler after a certain number of hours delay. When the Green POWER light is on, press TIMER until the number of hours delay (1-24) is shown.
TIMER (Automatic Stop)	When the cooler is in operation, press the TIMER to set the number of hours (1-24) until the machine will automatically switch off.
WATER Supply	Use only clean, fresh water. Pour water into the water inlet on the right hand side of the unit (max 100L). Alternatively, attach a hose to the water inlet on the left side for automatic filling. Note: A pressure reducing valve is recommended for high pressure water supplies.

Control Panel



Remote Control



4. STORAGE

This TradeQuip Evaporative Cooler should always be stored in a dry location away from elements on a level surface. When you stop using the fan, you should clean the fan, pack it and put it in dry places, and be careful not to damage the fan.

5. MAINTENANCE

Disconnect power prior to any maintenance

Inspect the general condition of the TradeQuip Evaporative Cooler checking:

- for loose hardware
- cracked, bent, or broken parts, and
- any other condition that may affect the TradeQuip Evaporative Coolers safe operation

For best results and long term operation, regular maintenance is essential.

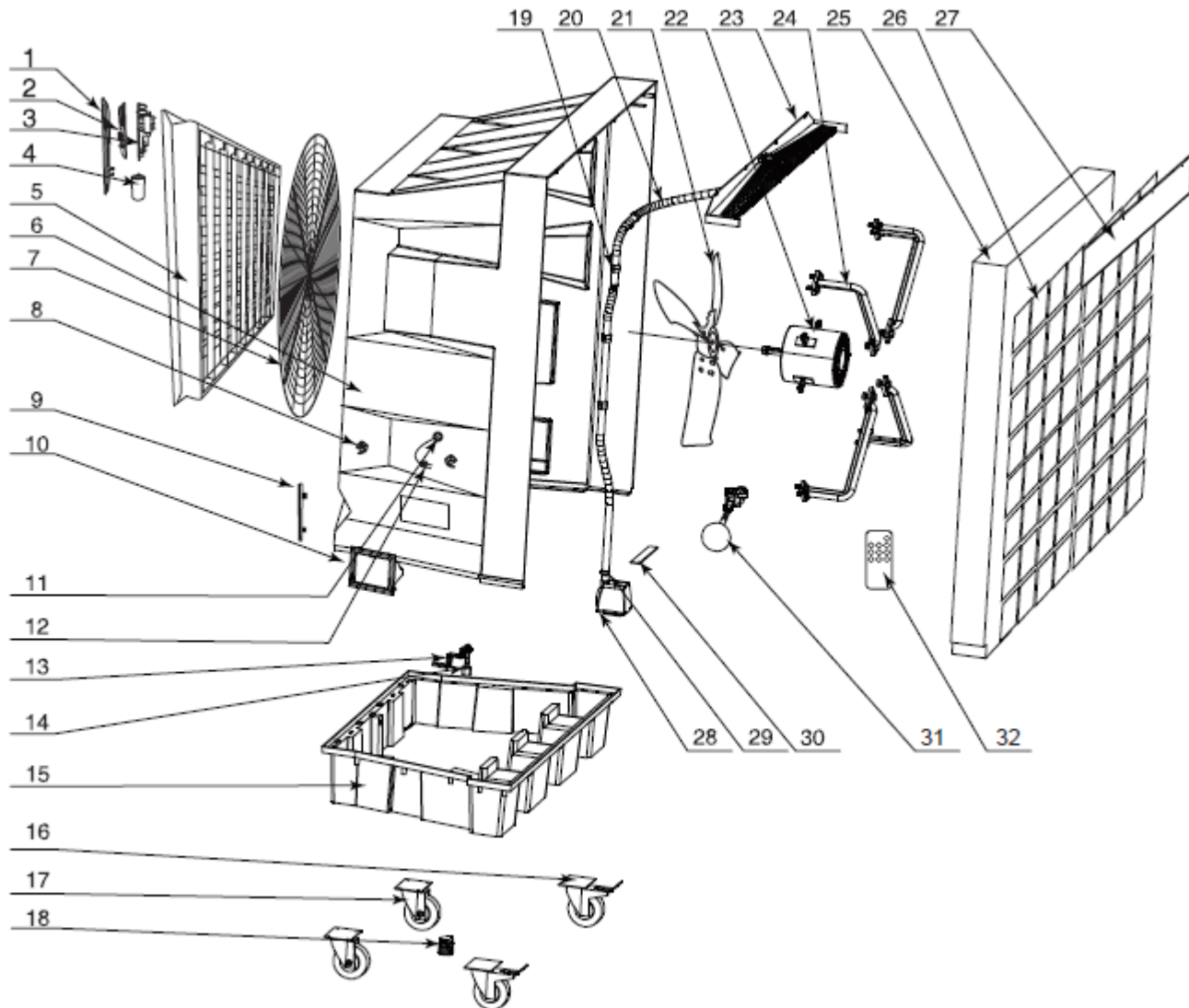
To ensure the cooler delivers fresh and clean air, regularly change the water when dirty, and clean both the dust filter and the cooling pad.

1. Remove the filter pad by unscrewing the 4 screws on the rear of the cooler. Then lift the pad and pull out at the bottom to release. To replace the pad, slide up into the slot under the top of the cooler, push in at the bottom; and allow to drop into the lower slot.
2. Clean the pad from the inner-side to out-side of pad (inner side is towards motor).
3. Never use any liquid detergent. Never use pressurized water, as it may cause damage to the pad.
4. Unscrew the drainage lid to let dirty water flow out, then clean the water tank thoroughly with a soft cloth. Wash off dirt on the water sensor, water pump and the float valve. Rinse thoroughly.
5. Use mild soap and soft clean cloth when cleaning the cooler casing. Do not use any caustic chemical detergent that may cause damage to the surface of the cooler.
6. To prevent build-up of algae and other biological organisms in the reservoir, regularly add chlorine/bromine tablets as per tablet manufacturer recommendation for evaporative cooler reservoirs.

6. SERVICE & REPAIR

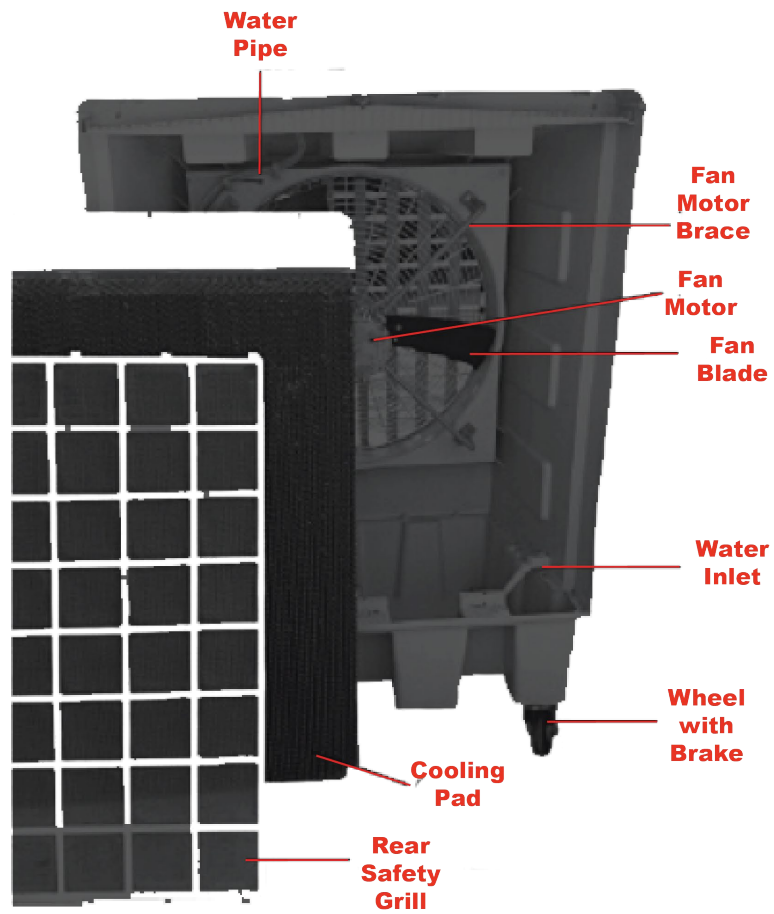
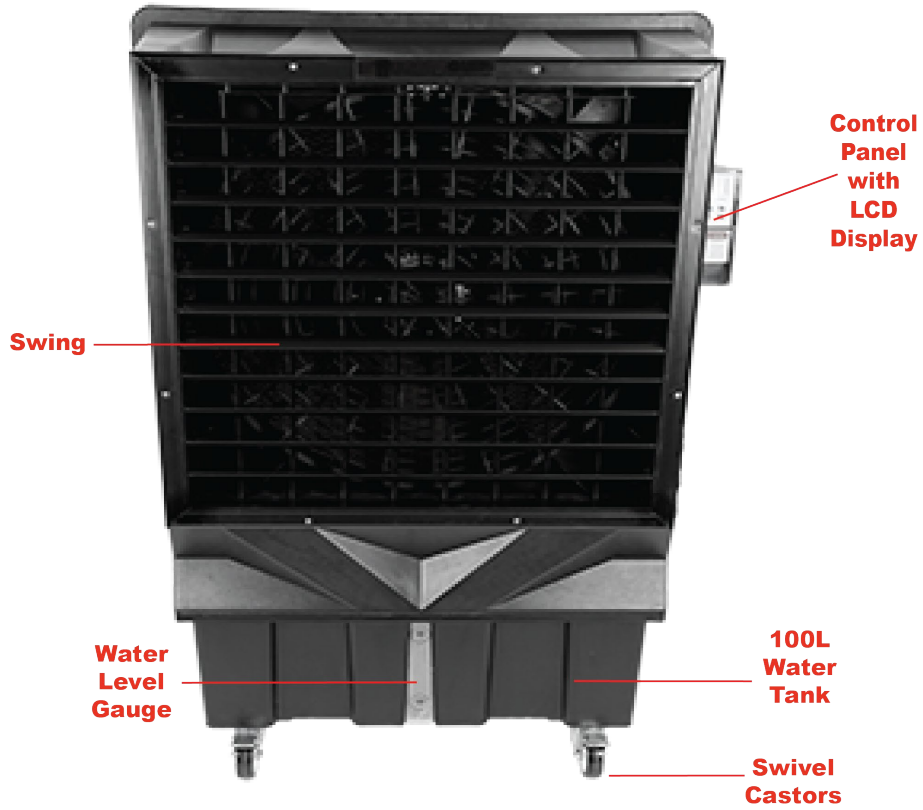
Any TradeQuip Evaporative Cooler found damaged in any way, or found to be worn or operates abnormally should be removed from service until repaired by an authorised service agent. Owners and / or operators should be aware that repair of this product may require specialised equipment and knowledge. Only authorised parts, labels and decals shall be used on this equipment. Annual inspection of the Pedestal & Wall Fan is recommended and can be made by an authorised repair facility to ensure that your equipment is in optimum condition and that the equipment has the correct decals and safety labels specified by the manufacturer.

PARTS DIAGRAM



Part #	Description	QTY	Part #	Description	QTY
1	Control Panel & Label	1	17	Front Wheel	2
2	Display Board	1	18	Drain Valve	1
3	PC Board	1	19	Pipe Clamp	3
4	Capacitor	1	20	Water Pipe	1
5	Automatic Diffuser	1	21	Fan	1
6	Cooling Casting	1	22	Fan Motor	1
7	Front Mesh	1	23	Water Distributor	1
8	Cable Reel	2	24	Fan Bracket	4
9	Water Level Displayer	1	25	Cooling Pad	1
10	Water Inlet Hole	1	26	Dust-Proof Net	1
11	Wire Ring	3	27	Cooling Pad Fasten Sheet	1
12	Electric Wire	1	28	Water Pump	1
13	Water Level Sensor Fixture	1	29	Stainless Clip	2
14	Water Level Sensor	1	30	Water Pump Platen	1
15	Water Tank	1	31	Float	1
16	Back Wheel	2	32	Remote Control	1

PARTS KEY COMPONENTS



TROUBLESHOOT

Malfunction	Reason	Solution
<ul style="list-style-type: none"> Operating screen stays dark 	<ul style="list-style-type: none"> No power Main control board failure Fuse has blown Panel failure 	<ul style="list-style-type: none"> Check unit is plugged in Change control board Replace fuse Replace panel
<ul style="list-style-type: none"> Display is normal but without air flow or the air speed is too low 	<ul style="list-style-type: none"> The fan is jammed Cooling pad or dust filter is blocked Fan is distorted Main control board failure 	<ul style="list-style-type: none"> Check to ensure there is nothing preventing free rotation of the fan Clean the cooling pad and dust filter Replace the fan Replace the main control board
<ul style="list-style-type: none"> Motor does not respond to control panel 	<ul style="list-style-type: none"> Main control board failure Panel failure 	<ul style="list-style-type: none"> Change main control board Replace panel
<ul style="list-style-type: none"> Water leaking from drain valve 	<ul style="list-style-type: none"> Drain valve is loose Dirt in valve 	<ul style="list-style-type: none"> Tighten drain valve nut Clean drain valve
<ul style="list-style-type: none"> Air diffuser/swing function not working 	<ul style="list-style-type: none"> Synchronous motor is burnt out Crankshaft is broken 	<ul style="list-style-type: none"> Replace synchronous motor Change crankshaft
<ul style="list-style-type: none"> Water drops splash out of the air diffuser 	<ul style="list-style-type: none"> Water pipe has come loose 	<ul style="list-style-type: none"> Check water pipe at top of filter pad and re-attach or tighten as necessary

NOTE: This troubleshooting is for reference purposes only. In the event of any technical assistance please contact your distributor for service/repair.

WARRANTY

TradeQuip products have been carefully tested and inspected before shipment and are guaranteed to be free from defective materials and workmanship for a period of 12 months from the date of purchase except where tools are hired out when the guarantee period is ninety days from the date of purchase.

Should this piece of equipment develop any fault, please return the complete tool to your nearest authorised warranty repair agent or contact TQB Brands Pty Ltd Warranty team – warranty@tqbbrands.com.au.

If upon inspection it is found that the fault occurring is due to defective materials or workmanship, repairs will be carried out free of charge. This guarantee does not apply to normal wear and tear, nor does it cover any damage caused by misuse, careless or unsafe handling, alterations, accident, or repairs attempted or made by any personnel other than the authorised TQB Brands Pty Ltd repair agent.

This guarantee applies in lieu of any other guarantee expressed or implied and variations of its terms are not authorised.

Your TQB Brands Pty Ltd guarantee is not effective unless you can produce upon request a dated receipt or invoice to verify your proof of purchase within the 12month period.

Consumer Guarantee

Our goods come with a guarantee that cannot be excluded under the Australian Consumer Law. You are entitled to a replacement or refund for a major failure and compensation for any other reasonably foreseeable loss or damage. You are also entitled to have the goods repaired or replaced if the goods fail to be of acceptable quality and the failure does not amount to a major failure.



All images and illustrations shown are for reference purposes only. All information, specifications and illustrations in this manual are based on the latest information available at the time of publication and are subject to change without notice. The information in this manual is periodically revised to ensure the latest information is included. Download the latest version of this manual and other related technical documentation from www.tqbbrands.com.au