

Owners Manual

Product Code: 1060T

**MADE FOR THE
TRADE**

TQ TRADEQUIP
the trusted brand in equipment

HYDRAULIC PRESS



Specifications:

- Safe Working Capacity: 20,000kg
- Working Range: 50 - 890mm
- Overall Height: 1560mm
- Overall Width: 600mm
- Overall Depth: 700mm
- Bed Outside: 200mm
- Bed Inside: 96mm
- Bed Width: 510mm
- Piston Ram Stroke: 150mm
- Ram Diameter: 105mm
- Nett Weight: 78kg
- Carton 1 of 2: 830 x 240 x 280mm
- Carton 2 of 2: 1600 x 150 x 150mm
- Gross Weight: 84kg

About the TradeQuip brand

The 'TradeQuip' brand of workshop equipment, is designed for use in a demanding workshop environment by professional users. With proven and trusted "Made for the Trade" reliability, 'TradeQuip' branded products offer the very best in performance for an affordable price. All backed by a 1 year trade guarantee across 1,000+ distributors Australia wide.

TQ TRADEQUIP
the trusted brand in equipment

TQ PRO
Trusted by serious professionals

BORUM
INDUSTRIAL WORKSHOP EQUIPMENT

WARNING**IMPORTANT: READ ALL INSTRUCTIONS BEFORE USE****WARNING**

The instructions and warnings contained in this manual should be read and understood before using or operating this equipment. Do not allow anyone to use or operate this equipment until they have read this manual and have developed a thorough understanding of how this equipment works. Failure to observe any of the instructions contained in the manual could result in severe personal injury to the user or bystanders, or cause damage to the equipment and property. Keep this manual in a convenient and safe place for future reference.

Whilst every effort has been made to ensure accuracy of information contained in this manual, the TQB Brands Pty Ltd policy of continuous improvement determines the right to make modifications without prior warning.

CONTENT

WARNING	2
CONTENT	2
STANDARD OPERATING PROCEDURE	3
ASSEMBLY, OPERATION, PREVENTITIVE MAINTENANCE	4
PARTS LIST	6
TROUBLE SHOOTING	7
WARRANTY	8

STANDARD OPERATING PROCEDURE

DO NOT use this machine unless you have been trained and assessed to a competent level in its safe use and operation, and have been given permission to use this



Safety glasses must be worn when operating this equipment



Long loose hair must be contained when operating this equipment



Safety footwear must be worn when operating this equipment



Close fitting/protective clothing must be worn when operating this equipment



Rings and jewellery must not be worn when operating this equipment

 **WARNING**

FAILURE TO READ THESE WARNINGS MAY RESULT IN PROPERTY DAMAGE & PERSONAL INJURY

PRE-OPERATIONAL SAFETY CHECKS

- Inspect the Hydraulic Workshop Press before each use. Do not use if bent, broken, cracked, leaking or otherwise damaged. Ensure all bolts and nuts are firmly tightened.
- Do not exceed the products rated maximum load capacity. Never apply excessive force to a work piece.
- Steel and other materials can shatter, always wear approved impact goggles, heavy duty work gloves and appropriate clothing.
- If you detect anything that may indicate imminent structural failure, stop using the Hydraulic Workshop Press immediately and inspect thoroughly.
- Only use this Hydraulic Workshop Press on a surface that is stable, level, dry and non-slippery, and capable of sustaining the load. Keep the surface clean, tidy and free from unrelated materials and ensure that there is adequate lighting.
- Do not use this Hydraulic Workshop Press to compress springs or any other item that could disengage and cause a potential hazard.
- Keep hands and feet away from bed area at all times.
- Do not modify any component of this equipment.
- Only use this device for the purpose for which it has been designed.
- When servicing, use only TradeQuip identical replacement parts. Use of any other parts will void the warranty.
- Use the right product for the job. There are certain applications for which the Hydraulic Workshop Press was designed. Do not modify the Hydraulic Workshop Press and do not use the Hydraulic Workshop Press for a purpose for which it was not intended.

INTENDED USE

For regular professional straightening, bending & pressing. Removing and installing gears, bearings and bushings.

ASSEMBLY, OPERATION, PREVENTITIVE MAINTENANCE

1. FEATURES

This *TradeQuip "Made for the Trade"* Hydraulic Workshop Press is great for straightening, stamping, bending and pressing any component that is hard to handle. The polished inner cylinder walls extend the life of the hydraulic seals to minimize abrasion and wear, while the cylinder ram and pistons are also polished and chromed, guided by high performance seals, wear rings and dust seals.

It is ideal for a variety of workshop applications and in particular suited to agricultural or industrial use. Jobs such as straightening, bending, folding, punching, removing bolts and bearings etc, are some of the tasks that can be easily accomplished.

2. ASSEMBLY

Unpacking: after removing the packing material, make sure the product is in perfect condition and that there are no visible damaged parts. The packaging materials (Polyethylene bags, polystyrene etc.), must be disposed of in an appropriate refuse collection container. These materials must not be left within the reach of children as they are potential sources of danger.

- Identify and lay out parts. Bolt the cross legs to the bottom of the main frames.
- Bolt the upper crossbeam to the head of the main frames. Note. If your model has a top and bottom plate which attach to either side of the frame head, screw the nuts finger tight only at this stage.
- Attach the hydraulic power unit according to model: Should your model have a separate jack plate, check side of main frame to locate assembly holes. If you have a choice of left or right attachment, assemble the plate according to your operational requirement.
- Attach the hydraulic power unit to the jack plate or to the appropriate attachment bars incorporated in the main frame using the bolts provided.
- Insert the press platform support pins through the holes in the main frame. Taking firm hold of the platform, tip it into a diagonal position so that it can be introduced between the mainframe uprights and carefully lower it back to a horizontal position to rest on the support pins.

WARNING! Take care not to allow the press platform to drop onto the pins and ensure your hands and fingers are clear of the press platform when lowering.

3. BEFORE USE

Prior to each use conduct a visual inspection by checking for abnormal conditions, such as cracked and damaged, loose, or missing parts.

Installation

- Securely attach the Hydraulic Workshop Press to a flat, firm, level surface taking into account clearance for working pieces.
- Before operating the press, purge the hydraulic system in order to eliminate any air that may have built up during transit. Open the release valve and pump the handle several times and close the release valve. Should the system malfunction at any time, repeating this process may resolve the problem.

DANGER! Models are purpose designed to withstand greater loads than the hydraulic units can develop. For safety reasons, always ensure the workpiece and press tools are secured on the table and will not flex or suddenly "give way" causing danger to operator or the component. Also ensure you have read and understood safety instructions.

4. OPERATION

- Check that the hydraulic unit is fully closed ready for operating.
- Position the working table at the required operating height by inserting the support pins into the appropriate holes in the main frame.
- Position the arbor plate or press tools to be used onto the work table and align beneath the ram. Place workpiece onto the work table or arbors and align beneath the ram as required. Note: Care must be taken to ensure an arbor does not fall from the press work table. If necessary hold the configuration in position with clamps.
- Operate the pump slowly until the ram is close to or just touching the workpiece. Before applying real pressure to the workpiece recheck the alignment with the ram and ensure that the workpiece and press tools are supported in such a way that they cannot flex to breaking point. DO NOT exceed the stroke indicated on the label or the red mark on the piston and do not apply off centre loads.
- When work is complete release the pressure using the release valve and the piston and the ram head will retract automatically.

Note: Always keep the piston retracted after use to avoid corrosion

5. STORAGE

This Hydraulic Workshop Press should always be stored in a dry location with the ram and piston fully retracted on a level surface.

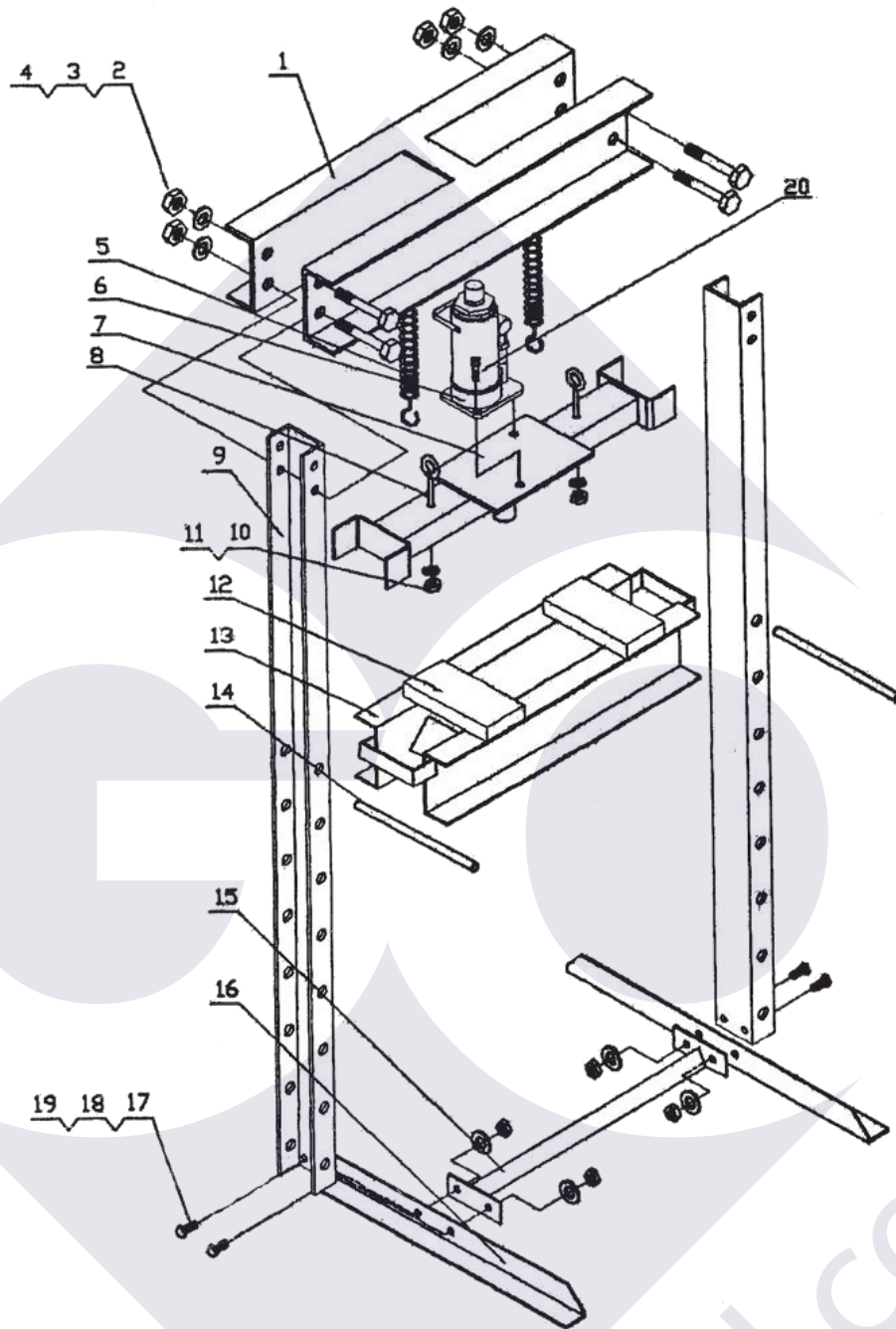
6. MAINTENANCE

- Check all fittings are tight before each use.
- Lubricate all moving parts at regular intervals.
- Always keep the press clean, dry, and protected from harsh conditions.
- Should you need to replace the oil ensure the piston is fully retracted. An excess of oil will render the press inoperative.
- Use only good quality hydraulic jack oil. DO NOT use brake fluid. Contact your local dealer for details.
- Purge the system to remove any air.

7. SERVICE & REPAIR

Any Hydraulic Workshop Press found damaged in any way, or found to be worn or operates abnormally should be removed from service until repaired by an authorised service agent. Owners and / or operators should be aware that repair of this product may require specialised equipment and knowledge. Only authorised parts, labels and decals shall be used on this equipment. Annual inspection of the Hydraulic Workshop Press is recommended and can be made by an authorised repair facility to ensure that your equipment is in optimum condition and that the equipment has the correct decals and safety labels specified by the manufacturer.

PARTS LIST



Part #	Description	QTY	Part #	Description	QTY
1	Upper Crossbeam	1	11	Nut M8	2
2	Bolt M16x30	8	12	Press Plate	2
3	Flat Washer 016	8	13	Press Platform	1
4	Nut M16	8	14	Rod	2
5	Spring	2	15	Spreader	1
6	Hydraulic Power Unit	1	16	Angle Steel Leg	2
7	Jack Base	1	17	Bolt M12x30	4
8	Hook	2	18	Flat Washer 012	4
9	Post	2	19	Nut M12	4
10	Flat Washer 08	2	20	Socket Head Bolt M8x12	2

TROUBLE SHOOTING

PROBLEM	SYMPTOM	CAUSE	CONCLUSION	SOLUTION
Press Jack will not Build Pressure	Pump has resistance but no ram force	Release valve not tightly closed	Bypass through release valve	Ensure Release tightly closed
	Pump has no resistance, ram will not apply force	Air in Hydraulic system	Air cavitation in pump and or lift ram	Bleed system
	Pump has no resistance, ram will not apply force	Overload actuated	Relief valve needs reset	Contact Qualified Technician for repairs
	Pump has no resistance, ram will not apply force	Force required exceeds Ram Capacity, Overload actuated	Higher capacity pressing tool required Relief valve needs reset	Select Higher Capacity Press Contact Qualified Technician for repairs
Press Jack will not hold load	Load cannot be sustained, lift ram retracts under load	Release valve not tightly closed	Bypass through release valve	Contact Qualified Technician for repairs
	Load cannot be sustained, ram retracts under load	Damaged Main Seal	Replace main ram seals	Contact Qualified Technician for repairs
	Load cannot be sustained; ram retracts under load Pump handle rises	Main check valve obstructed	Replace Main check valve ball and reseal valve seat	Contact Qualified Technician for repairs
Press Jack will not lower after unloading	Ram rises after retracting	Reservoir overfilled	Pump failure due to cavitation caused by excess reservoir level	Bleed system
	Release valve pin siezed	Linkages binding	Dry release valve pin	Lubricate release valve 32gr Hydraulic oil
Poor force performance	Pump has no resistance, ram will not extend to full stroke	Fluid level low	Drain fluid to correct level	Fill fluid to correct level then bleed system
	Pump has no resistance; ram will not extend to full stroke	Air trapped in system	Ram extended for extended period causing air ingress to hydraulic system	With ram fully retracted, remove oil filler plug to let pressurised air escape reinstall oil filler plug, Bleed system
Press jack Will not extend to full extension	Ram has limited stroke, pump loses resistance	Fluid level low	Lift ram raised for extended period causing air ingress to hydraulic system	Fill fluid to correct level then bleed system

WARRANTY

TradeQuip products have been carefully tested and inspected before shipment and are guaranteed to be free from defective materials and workmanship for a period of 12 months from the date of purchase except where tools are hired out when the guarantee period is ninety days from the date of purchase.

Should this piece of equipment develop any fault, please return the complete tool to your nearest authorised warranty repair agent or contact TQB Brands Pty Ltd Warranty team – warranty@tqbbrands.com.au.

If upon inspection it is found that the fault occurring is due to defective materials or workmanship, repairs will be carried out free of charge. This guarantee does not apply to normal wear and tear, nor does it cover any damage caused by misuse, careless or unsafe handling, alterations, accident, or repairs attempted or made by any personnel other than the authorised TQB Brands Pty Ltd repair agent.

This guarantee applies in lieu of any other guarantee expressed or implied and variations of its terms are not authorised.

Your TQB Brands Pty Ltd guarantee is not effective unless you can produce upon request a dated receipt or invoice to verify your proof of purchase within the 12 month period.

Consumer Guarantee

Our goods come with a guarantee that cannot be excluded under the Australian Consumer Law. You are entitled to a replacement or refund for a major failure and compensation for any other reasonably foreseeable loss or damage. You are also entitled to have the goods repaired or replaced if the goods fail to be of acceptable quality and the failure does not amount to a major failure.



All images and illustrations shown are for reference purposes only. All information, specifications and illustrations in this manual are based on the latest information available at the time of publication and are subject to change without notice. The information in this manual is periodically revised to ensure the latest information is included. Download the latest version of this manual and other related technical documentation from www.tqbbrands.com.au.