

Owners Manual

Product Code: 1147T

**MADE FOR THE
TRADE**

TQ TRADEQUIP
the trusted brand in equipment

**OIL DRAINER WITH
HAND PUMP**



GO
goind.com.au

Specifications:

- Pan Capacity: 65Litres
- Swivel Castor Wheels: 100mm
- Discharge Hose Length: 1800mm
- Minimum Clearance: 195mm (Pan Height)
- Material: Industrial Grade Polypropylene
- Tank Size: 1300(H) x 730(L) x 200(W)mm
- Weight: 21kg
- Carton: 1140 x 730 x 200mm

About the TradeQuip brand

The 'TradeQuip' brand of workshop equipment, is designed for use in a demanding workshop environment by professional users. With proven and trusted "Made for the Trade" reliability, 'TradeQuip' branded products offer the very best in performance for an affordable price. All backed by a 1year trade guarantee across 1,000+ distributors Australia wide.

TQ TRADEQUIP
the trusted brand in equipment

TQ PRO
Trusted by serious professionals

BORUM
INDUSTRIAL WORKSHOP EQUIPMENT

WARNING

IMPORTANT: READ ALL INSTRUCTIONS BEFORE USE



WARNING

The instructions and warnings contained in this manual should be read and understood before using or operating this equipment. Do not allow anyone to use or operate this equipment until they have read this manual and have developed a thorough understanding of how this equipment works. Failure to observe any of the instructions contained in the manual could result in severe personal injury to the user or bystanders, or cause damage to the equipment and property. Keep this manual in a convenient and safe place for future reference.

Whilst every effort has been made to ensure accuracy of information contained in this manual, the TQB Brands Pty Ltd policy of continuous improvement determines the right to make modifications without prior warning.

CONTENT

WARNING.....	2
CONTENT.....	2
STANDARD OPERATING PROCEDURE	3
ASSEMBLY, OPERATION, PREVENTITIVE MAINTENANCE.....	4
PARTS LIST.....	5
WARRANTY	6

goind.com.au

STANDARD OPERATING PROCEDURE

DO NOT use this machine unless you have been trained and assessed to a competent level in its safe use and operation, and have been given permission to use this



Safety glasses must be worn when operating this equipment



Long loose hair must be contained when operating this equipment



Safety footwear must be worn when operating this equipment



Close fitting/protective clothing must be worn when operating this equipment

PRE-OPERATIONAL SAFETY CHECKS

- Before using the 65 Litre Oil Drainer ensure it is in sound condition, and good working order.
- Replace or repair damaged parts. *Use recommended parts only. Non authorised parts may be dangerous and will invalidate the warranty.*
- Spillages of liquid material, which may be slippery, must be cleaned up immediately to avoid injury.
- Before using the Oil Drainer, the vehicle's engine must be off. Place the transmission in park (automatic transmission) or in gear (manual transmission) and apply the park brake.
- Operators should maintain correct balance and footing. Ensure the floor is not slippery and wear non slip shoes.
- Wear approved ear, eye, hand and respiratory protection when operating this product.
- DO NOT operate unit if any parts are missing or damaged as this may cause failure and/or personal injury.
- DO NOT allow untrained persons to operate the product.



WARNING - Oil in the vehicle's oil pan may be extremely hot and has the potential to burn; be careful to avoid contact with skin.

INTENDED USE

This oil drainer is designed to drain waste oil from engines, gearboxes, differentials of most vehicles.

ASSEMBLY, OPERATION, PREVENTITIVE MAINTENANCE**1. FEATURES**

This model features a 65 Litre capacity reservoir molded from robust, lightweight high-impact polypropylene and is mounted on four 100mm diameter swivel castors. The drains offer a choice of three discharge methods.

Designed for positioning under high-clearance vehicles, this low-profile oil drainer captures discharges used fluids via the rotary hand pump mounted horizontally on the front of the reservoir and discharge hose installed at the outlet. Mounted on four, 100mm diameter swivel castors, each truck drain has an overall height of only 195 millimetres.

2. ASSEMBLY


Unpacking: After removing the packing material, make sure the product is in perfect condition and that there are no visible damaged parts. The packaging materials (polyethylene bags, polystyrene etc) must be disposed of responsibly in an appropriate refuse collection container. These materials must not be left within the reach of children as they are potential sources of danger.

1. To mount the Handle (4) and the Pump (11), you will need to partially disassemble the Rear Mounting Plate (16).
2. Remove the right Castor Bolt (3) from the Castor (15) and slide out the Mounting Plate (16).
3. Attach the Handle (4) to Mounting Plate (16) using Screw (14).
4. Attach the Pump Mounting Bracket (12) to the Mounting Plate (16) with the provided Nuts and Bolts.
5. Re-attach the Mounting Plate (16) and the right Castor.
6. Attach the Pump (11) to the Mounting Bracket (12) with the Bolts provided.
7. Attach the Short Hose (17) to the Hose Fittings (9) on the bottom of the Pump (11) and the bottom of the Reservoir (2) with the Hose Clamps (8).
8. Attach the Long Hose (7) to the Hose Fitting (9) on the top of the Pump (11) with the Hose Fitting (9).

3. BEFORE USE

Prior to each use conduct a visual inspection by checking for abnormal conditions, such as cracked joints and damaged, loose, or missing parts.

4. OPERATION

 **WARNING:** Before using the Truck Oil Drainer, the vehicle's engine must be off. Place the transmission in park (automatic transmission) or in gear (manual transmission) and apply the parking brake. Oil in the vehicle's oil pan may be extremely hot and has the potential to burn; be careful to avoid contact with skin.

1. Roll the Truck Oil Drainer under the vehicle directly under the drain sump plug of the vehicle. Ensure the lever on the Valve (12) is perpendicular to the valve and in the off position.
2. Open the sump plug and allow oil to flow into the Truck Oil Drainer.
3. When the oil has been completely drained from the vehicle, replace the vehicle's sump plug and roll the Oil Drainer out from under the vehicle.
4. The Oil Drainer offers two options to transfer the used oil into an approved oil storage container;

Option 1:

Gravity Flow: Roll the Oil Drain directly over the approved storage tank and make sure the Hose (7) sits directly over the container. Turn the pump handle parallel to the hose (17) to release the oil.

Option 2:

Manual Pump: Roll the Oil Drainer to your collection drum. Ensure the oil has cooled down prior to pumping. Attach the hose (7) from the manual pump to your oil collection drum. Begin hand cranking the manual pump and the oil will be suctioned out of the reservoir (2) and into your oil drum. Flow can be increased but ensure this is done slowly.

Caution: Oil residue will remain after the collected oil has been removed from the Oil Drainer. Store the Oil Drainer away from all ignition sources and flammable materials. Wipe off Oil Drainer with a rag to remove oil residue.

5. STORAGE

This 65 Litre Oil Drainer should always be stored in a dry location. Store the Oil Drainer away from all ignition sources and flammable materials. Wipe off Oil Drainer with a rag to remove oil residue.

6. MAINTENANCE

Replace or repair damaged parts. Use recommended parts only. Non authorised parts may be dangerous and will invalidate the warranty.

1. After each use, remove the Filter Screen (1) and clean off any debris which accumulates.
2. Periodically check the tightness of all components, bolts, nuts, wheels, castors and the handle.
3. Occasionally flush the Pump (11) and run a pipe cleaner through the Hoses (17 and 7) to clear out any dirt or debris.

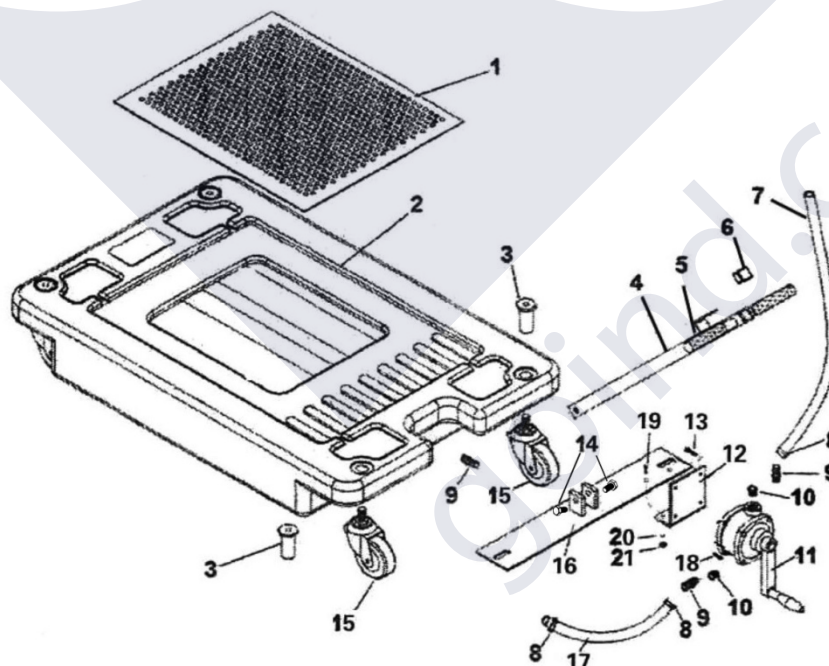
7. SERVICE & REPAIR

Any 65 Litre Truck Oil Drainer found damaged in any way, or found to be worn or operates abnormally should be removed from service until repaired by an authorised service agent. Owners and / or operators should be aware that repair of this product may require specialised equipment and knowledge. Only authorised parts, labels and decals shall be used on this equipment. Annual inspection of the 65 Litre Truck Oil Drain Pan is recommended and can be made by an authorised repair facility to ensure that your equipment is in optimum condition and that the equipment has the correct decals and safety labels specified by the manufacturer.

PARTS LIST

Part	Description	Qty	Part	Description	Qty
1	Filter Screen	1	12	Mounting Bracket	1
2	Reservoir	1	13	Bolt	4
3	Lock Nut	4	14	Screw	2
4	Handle	1	15	Castor	4
5	Flex Grip	2	16	Mounting Plate	1
6	Plug	1	17	Short Hose	1
7	Long Hose	1	18	Bolt	4
8	Hose Clamp	3	19	Bolt	2
9	House Fitting	3	20	Washer	2
10	Connector	2	21	Nut	2
11	Hand Pump	1			

Note: Some parts are listed and shown for illustration purposes only, and are not available individually as replacement parts.



WARRANTY

TradeQuip products have been carefully tested and inspected before shipment and are guaranteed to be free from defective materials and workmanship for a period of 12 months from the date of purchase except where tools are hired out when the guarantee period is ninety days from the date of purchase.

Should the machine develop any fault, please return the complete tool to your nearest authorised warranty repair agent or contact TQB Brands Pty Ltd Warranty team – warranty@tqbbrands.com.au.

If upon inspection it is found that the fault occurring is due to defective materials or workmanship, repairs will be carried out free of charge. This guarantee does not apply to normal wear and tear, nor does it cover any damage caused by misuse, careless or unsafe handling, alterations, accident, or repairs attempted or made by any personnel other than the authorised TQB Brands Pty Ltd repair agent.

This guarantee applies in lieu of any other guarantee expressed or implied and variations of its terms are not authorised.

Your TQB Brands Pty Ltd guarantee is not effective unless you can produce upon request a dated receipt or invoice to verify your proof of purchase within the 12 month period.

Consumer Guarantee

Our goods come with a guarantee that cannot be excluded under the Australian Consumer Law. You are entitled to a replacement or refund for a major failure and compensation for any other reasonably foreseeable loss or damage. You are also entitled to have the goods repaired or replaced if the goods fail to be of acceptable quality and the failure does not amount to a major failure.



All images and illustrations shown are for reference purposes only. All information, specifications and illustrations in this manual are based on the latest information available at the time of publication and are subject to change without notice. The information in this manual is periodically revised to ensure the latest information is included. Download the latest version of this manual and other related technical documentation from www.tqbbrands.com.au.