

Owners Manual

Product Code: 1994T

**MADE FOR THE
TRADE**

TQ TRADEQUIP
the trusted brand in equipment

**RETRACTABLE CABLE
REEL**



Specifications:

- Amperage: 10A
- Cable Length: 15m
- Cable Colour: Black
- Reel Colour: Blue
- Carton: 340 x 180 x 360mm
- Weight: 4kg

About the Tradequip brand

The 'Tradequip' brand of workshop equipment, is designed for use in a demanding workshop environment by professional users. With proven and trusted "Made for the Trade" reliability, 'Tradequip' branded products offer the very best in performance for an affordable price. All backed by a 1year trade guarantee across 1,000+ distributors Australia wide.

TQ TRADEQUIP
the trusted brand in equipment

TQpro
Trusted by serious professionals

BORUM
INDUSTRIAL WORKSHOP EQUIPMENT

WARNING**IMPORTANT: READ ALL INSTRUCTIONS BEFORE USE****WARNING**

The instructions and warnings contained in this manual should be read and understood before using or operating this equipment. Do not allow anyone to use or operate this equipment until they have read this manual and have developed a thorough understanding of how this equipment works. Failure to observe any of the instructions contained in the manual could result in severe personal injury to the user or bystanders, or cause damage to the equipment and property. Keep this manual in a convenient and safe place for future reference.

Whilst every effort has been made to ensure accuracy of information contained in this manual, the TQB Brands Pty Ltd policy of continuous improvement determines the right to make modifications without prior warning.

CONTENT

WARNING	2
CONTENT	2
STANDARD OPERATING PROCEDURE	3
ASSEMBLY, OPERATION, PREVENTIVE MAINTENANCE	4
PARTS DIAGRAM	6
PARTS LIST	6
WARRANTY	7

INTENDED USE

Stored in a handy retractable reel, the 1994T is used to convey electricity to operate electrical powered equipment in an workshop environment.

STANDARD OPERATING PROCEDURE

DO NOT use this machine unless you have been trained and assessed to a competent level in its safe use and operation, and have been given permission to use this



Safety glasses must be worn when operating this equipment



Long loose hair must be contained when operating this equipment



Safety footwear must be worn when operating this equipment



Close fitting/protective clothing must be worn when operating this equipment



Rings and jewellery must not be worn when operating this equipment

PRE-OPERATIONAL SAFETY CHECKS - Read and understand all instructions. Failure to follow all instructions may result in serious injury.

- The warnings, cautions, and instructions in this manual cannot cover all possible conditions or situations that could occur. Exercise common sense and caution when using this reel. Always be aware of the environment and ensure that the reel is used in a safe and responsible manner.
- DO NOT allow persons to operate or assemble the reel until they have read this manual and have developed a thorough understanding of how it works.
- DO NOT modify the reel in any way. Unauthorized modification may impair the function and/or safety and could affect the life of the product. There are specific applications for which the reel was designed.
- Keep work area clean, dry, free of clutter, and well-lit. Cluttered, wet, or dark work areas can result in injury. Using the reel in confined work areas may put you dangerously close to other cutting tools and rotating parts.
- Be aware of all power lines, electrical circuits, water pipes, and other mechanical hazards in your work area. Some of these hazards may be below the work surface hidden from your view and may cause personal harm or property damage if unintentionally contacted.
- Exercise care when handling the reel during normal operation. Reels have a rotating drum powered by a spring under tension.
- Do not use a cord different than what is supplied with this reel. Changes in diameter, weight per metre, length of cord or flexibility will affect the operation of the reel.
- Mounting hardware and fasteners should be installed to maintain tightness under vibration and checked periodically to ensure tightness. Mounting hardware and fasteners not included.
- Ensure that only the qualified electrician can install/services this reel. It must not be used by children or unskilled persons.
- Ensure that power supply voltage does not exceed the maximum voltage rating of the reel.
- Ensure that the reel is properly installed before connecting to power supply.
- Ensure that all electrical power is disconnected from reel before servicing.
- Check for frayed or broken wires before each use.
- When pulling the electrical cord from the reel always grasp the electrical cord itself, not the work device.
- Disconnect power from the reel immediately if any malfunction occurs.
- Never remove, tamper with or cut out the safety devices fitted by the manufacture.
- Do not use the reel in damp or wet conditions. Avoid getting debris in the reel.

GROUNDING

- This reel must be grounded to protect the operator from electrical shock. The reel is equipped with a lead-in cord that has a three-prong grounding plug. The plug **MUST** be plugged into a matching receptacle that is properly installed and grounded in accordance with ALL local codes and ordinances.
- DO NOT MODIFY THE PLUG PROVIDED. If it will not fit the receptacle, have the proper receptacle installed by a qualified electrician.
- CHECK with a qualified electrician or service person if you do not completely understand the grounding instructions, or if you are not sure the tool is properly grounded.

Grounded Tools: Tools with 3-Prong Plugs

Tools marked with **Grounding Required** have a 3-wire cord and 3-prong grounding plug. The plug must be connected to a properly grounded outlet. If the tool should electrically malfunction or break down, grounding provides a low resistance path to carry electricity away from the user, reducing the risk of electric shock. The grounding prong in the plug is connected through the green wire inside the cord to the grounding system in the tool. The green wire in the cord must be the only wire connected to the tool's grounding system and must never be attached to an electrically live terminal. Your tool must be plugged into an appropriate outlet, properly installed and grounded in accordance with all codes and ordinances.

ASSEMBLY, OPERATION, PREVENTITIVE MAINTENANCE

1. FEATURES

The **Tradequip "Made for the Trade"** Retractable Cord Reel features an impact-resistant polypropylene case to keep the cord tangle-free and easy to wind. For convenience, it mounts to the wall or ceiling and swivels 180°. The locking device (ratchet and pawl), which is located inside the unit, is designed to function by gravity, eliminating the need for springs and lubrication, etc.

2. BEFORE USE

Prior to each use conduct a visual inspection checking for abnormal conditions, such as cracks and damaged, loose, or missing parts.

- Check for damaged reel parts and for a frayed, worn, or lacerated power cord before each use.
- Carefully check that the reel will operate properly and perform its intended function.
- Replace damaged or worn parts immediately. Never operate the reel with a damaged part.
- As with any electrical device, dry your hands before using the reel.

3. OPERATION

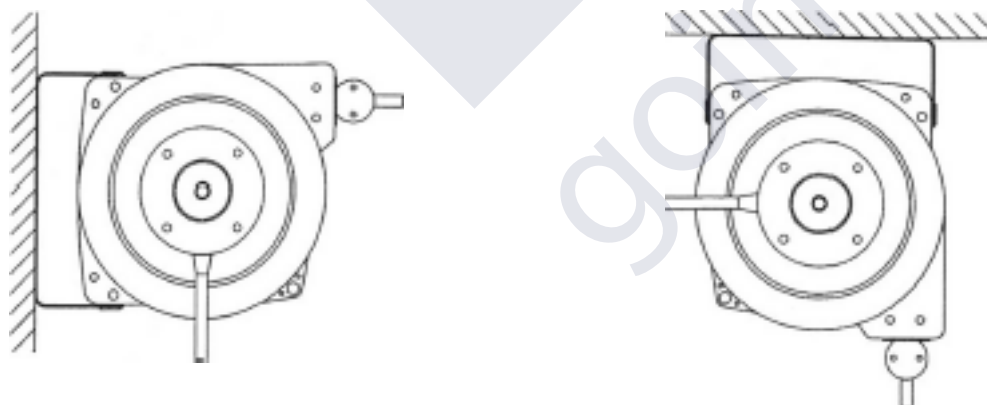
- Check the reel for correct operation by slowly pulling out the cord. A "clicking" noise will be heard every half revolution of the drum.
- To latch the reel, pull out the cord then allow it to retract after hearing the first, second, or third "click".
- To unlatch the reel, slowly pull out the cord until the "clicking" noise stops then, holding on to the cord, let it retract in a controlled way until the cord stop rests against the cord guide rollers.

⚠ WARNING: Do not allow the cord to retract without restraining the recoil speed. Never let go of the cord when rewinding.

- Keep the cord and taps dry, clean, and free from oil and grease.
- The cord reel is not waterproof and is not intended for use in, or around, wet or damp areas. NEVER attempt to pick up plugged-in power tools or appliances should they fall into standing water because this could result in electrocution.
- Periodically clean the cord.

- ⚠ WARNING!:** Unplug the power source before cleaning the cord to avoid electrical shock. Use a cloth dipped in warm water to remove dirt or deposits and ensure correct winding on the reel. Do not use detergents or solvents which could prove incompatible with cord-winder materials. Allow the cord and connections to THOROUGHLY dry before plugging the cord back into a power outlet.
- Also periodically check the cord condition for wear or damage. See the maintenance section for the cord replacement procedure.

Note: If the cord reel exceeds the current rating, a circuit breaker in the wiring will open automatically stopping power at the taps. After a short period, manually press the reset button on the side of the case to close the circuit breaker.



Fixing the Wall Mount Bracket

The wall mounting bracket consists of three parts, two pre-drilled angle brackets and the tube. Four fasteners are required to fix the brackets into position. Fix in position one of the two angle brackets, making sure that the heels of the brackets face into each other as shown in Figure 2. The second angle bracket should be fixed in position 320mm from the inside of the first bracket. The reel can then be positioned between the two brackets and the tube passed through the holes in the brackets and the castellated section of the black base frame. Finally, fit the split pins through the pre-drilled holes in each end of the tube to ensure that all parts are securely locked into position.

4. AFTER EACH USE

Inspect the reel casing, mounting parts, and cord periodically after use so that worn or damaged parts can be ordered and replaced before the next use.

WARNING!

Always have damaged or worn parts repaired or replaced by a qualified service technician.

Do Not open the casing for any reason! The spring inside can be under high tension and accidental release can cause severe personal injury.

5. STORAGE

This retractable cable reel should always be disconnected from the power outlet and stored in a dry location on a level surface with the cable in the fully retracted position.

6. MAINTENANCE

WARNING!

Only properly trained persons should open a reel case. Dismantling of the unit by unskilled personnel could prove hazardous; the risk involved mainly concern the preloaded spring.

Disconnect the power supply from the reel before making any adjustments or changing parts.

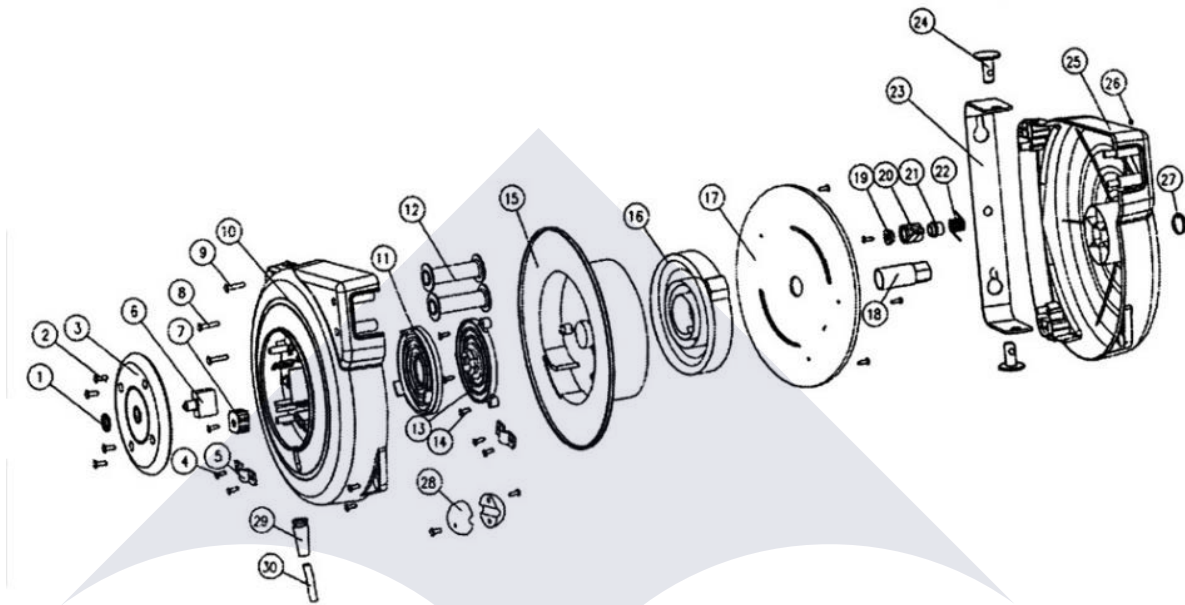
If the rewind function fails, for safety reasons, it is strongly recommended the replacement of the spring only be performed by an authorized service technician. The internal spring can be under high tension and accidental release can cause severe personal injury.

- It is recommended that the general condition of any tool be examined before it is used. Keep the reel in good repair by adopting a program of conscientious repair and maintenance in accordance with the recommended procedures found in this manual.
- Use only identical parts with the reel. Do not use a cord different than what is supplied with this reel. Changes in diameter, weight per metre, length of cord, or flexibility will affect the operation of the reel.
- Do not use detergents or solvents which could prove incompatible with cord-winder materials. If the event of having to perform maintenance on the electrical, mechanical parts or replace the cord, contact an authorized after-sale service centre.
- After maintenance, allow the cord and connections to dry THOROUGHLY before plugging the cord back into a power outlet.

7. SERVICE & REPAIR

Any Hose Reel found damaged in any way, or found to be worn or operates abnormally should be removed from service until repaired by an authorised service agent. Owners and / or operators should be aware that repair of this product may require specialised equipment and knowledge. Only authorised parts, labels and decals shall be used on this equipment. Annual inspection of the engine stand is recommended and can be made by an authorised repair facility to ensure that your equipment is in optimum condition and that the equipment has the correct decals and safety labels specified by the manufacturer.

PARTS DIAGRAM



PARTS LIST

Part #	Description	QTY	Part #	Description	QTY
1	Plastic Nut	1	16	Spring	1
2	Screw ST4.2x19	15	17	Drum	1
3	Plastic Cover	1	18	Axle	1
4	Screw ST2.9x9.5	4	19	Cover Cap	1
5	Cord Cramp	2	20	Ratchet Paw	1
6	Screw ST2.9x19	1	21	Ratchet Axle	1
7	Terminal Block	1	22	Spring	1
8	Screw ST4x20	2	23	Bracket	1
9	Screw M5x25	2	24	Pin	1
10	Cover	1	25	Cover	1
11	Fixed Plate Assy	1	26	Nut	2
12	Roller	2	27	Plastic Cover	1
13	Movable Plate Assy	1	28	Stop Block	2
14	Screw ST4.2x19	3	29	Protective Sheath	1
15	Drum	1	30	Flexible Cord	1

WARRANTY

Tradequip products have been carefully tested and inspected before shipment and are guaranteed to be free from defective materials and workmanship for a period of 12 months from the date of purchase except where tools are hired out when the guarantee period is ninety days from the date of purchase.

Should the machine develop any fault, please return the complete tool to your nearest authorised warranty repair agent or contact TQB Brands Pty Ltd Warranty team – warranty@tqbbrands.com.au.

If upon inspection it is found that the fault occurring is due to defective materials or workmanship, repairs will be carried out free of charge. This guarantee does not apply to normal wear and tear, nor does it cover any damage caused by misuse, careless or unsafe handling, alterations, accident, or repairs attempted or made by any personnel other than the authorised TQB Brands Pty Ltd repair agent.

This guarantee applies in lieu of any other guarantee expressed or implied and variations of its terms are not authorised.

Your TQB Brands Pty Ltd guarantee is not effective unless you can produce upon request a dated receipt or invoice to verify your proof of purchase within the 12month period.

Consumer Guarantee

Our goods come with a guarantee that cannot be excluded under the Australian Consumer Law. You are entitled to a replacement or refund for a major failure and compensation for any other reasonably foreseeable loss or damage. You are also entitled to have the goods repaired or replaced if the goods fail to be of acceptable quality and the failure does not amount to a major failure.



All images and illustrations shown are for reference purposes only. All information, specifications and illustrations in this manual are based on the latest information available at the time of publication and are subject to change without notice. The information in this manual is periodically revised to ensure the latest information is included. Download the latest version of this manual and other related technical documentation from www.tqbbrands.com.au