

Owners Manual

Product Code: 3051

**MADE FOR THE
TRADE**

TQ TRADEQUIP
the trusted brand in equipment

**BLASTING
CABINET**



Specifications:

- Capacity: 220 Litre
- Ceramic Nozzle Tip Sizes: 4, 5, 6 and 7mm (1 of each)
- Maximum Media Capacity: 20kg
- Operating Air Pressure: 60 - 110psi
- Compressor Air Supply Requirement: 15-25CFM @ 80 psi (optimum delivery dependent on tip size)
- Tempered glass viewing window: 250 x 525mm
- Door opening: Rear 425(H) / Front 240(H) x 515(W) mm
- Cabinet dimensions: Rear 590(H) / Front 380 (H) x 860(L) x 550(W) mm
- Dimensions: 1400(H) x 890(L) x 550(W) mm
- Nett Weight: 43kg
- Carton: 950 x 620 x 610mm
- Gross Weight: 48kg
- Not for use with soda or walnut shell

About the TradeQuip brand

The 'TradeQuip' brand of workshop equipment, is designed for use in a demanding workshop environment by professional users. With proven and trusted "Made for the Trade" reliability, 'TradeQuip' branded products offer the very best in performance for an affordable price. All backed by a 1year trade guarantee across 1,000+ distributors Australia wide.

TQ TRADEQUIP
the trusted brand in equipment

TQPRO
Trusted by serious professionals

BORUM
INDUSTRIAL WORKSHOP EQUIPMENT

WARNING INFORMATION

IMPORTANT: READ ALL INSTRUCTIONS BEFORE USE



WARNING

The instructions and warnings contained in this manual should be read and understood before using or operating this equipment. Do not allow anyone to use or operate this equipment until they have read this manual and have developed a thorough understanding of how this equipment works. Failure to observe any of the instructions contained in the manual could result in severe personal injury to the user or bystanders, or cause damage to the equipment and property. Keep this manual in a convenient and safe place for future reference.

Whilst every effort has been made to ensure accuracy of information contained in this manual, the TradeQuip policy of continuous improvement determines the right to make modifications without prior warning.

CONTENT

WARNING INFORMATION	2
CONTENT	2
STANDARD OPERATING PROCEDURE	3
ASSEMBLY, OPERATION & PREVENTATIVE MAINTENANCE	4
PARTS LIST	6
PARTS LIST DIAGRAM	6
WARRANTY	7

STANDARD OPERATING PROCEDURE

DO NOT use this machine unless you have been trained and assessed to a competent level in its safe use and operation, and have been given permission to use this



Safety glasses must be worn when operating this equipment



Long loose hair must be contained when operating this equipment



Safety footwear must be worn when operating this equipment



Close fitting/protective clothing must be worn when operating this equipment



Rings and jewellery must not be worn when operating this equipment

PRE-OPERATIONAL SAFETY CHECKS

- Optimum operating pressure 40-80psi @ 15-25CFM
- **MAXIMUM OPERATING PRESSURE – 125psi**
- Keep work area clean, cluttered areas invite injuries.
- Observe work area conditions; Do not use this equipment in damp, wet, or poorly lit locations. Don't expose equipment to rain.
- Keep children away; Children must never be allowed in the work area. Do not let them handle machines, tools or hoses.
- Use Eye and Ear Protection.
- Replace window only with Tempered or Safety Glass Size: 610mm x 3.4mm.
- Replace cabinet gloves as necessary.
- Close the latch door during operation.
- Disconnect incoming air line when adding abrasive, or when servicing hoses, power gun, or other components.

INTENDED USE

Blasting work using recommended abrasive media and/or glass beads to clean and abrade a surface, typically metal, of any rust, paint or other unwanted surface materials.

ASSEMBLY, OPERATION & PREVENTATIVE MAINTENANCE

1. FEATURES

The TradeQuip Blasting Cabinet is manufactured using heavy duty gauge steel. It includes a stand, hopper and acrylic protective screen.

It comes complete with an internal low voltage light, tempered glass screen with replacement shields, gloves, gun and ceramic tips.

2. ASSEMBLY

Leg Installation:

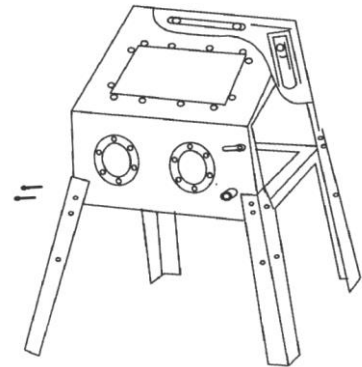
Place cabinet on its back on a table or bench.

Remove from packet M6*12 bolts, nuts, lock washer and washer.

Insert M6*12 bolt through leg and into cabinet.

Place M6 washer and M6 lock washer over bolt and M6 hex nut and hand tighten.

Repeat above for remaining three legs.



Funnel, Grill and Frame Foundation of Grill Installation:

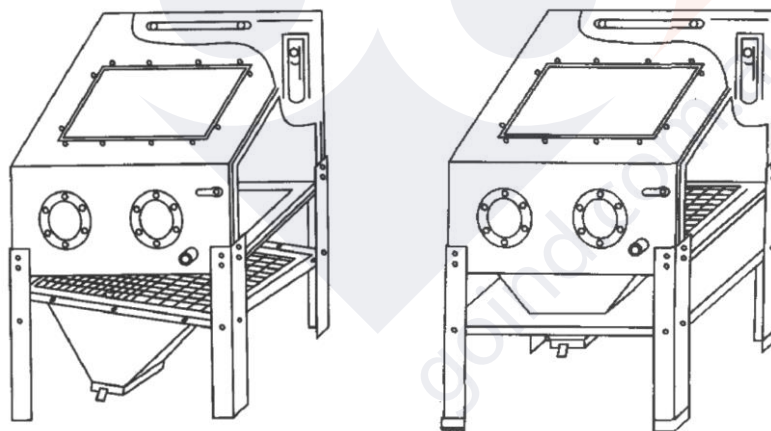
Stand cabinet upright.

Place grill on funnel.

Remove from package eight M6*20 bolts, washers and four hex nuts.

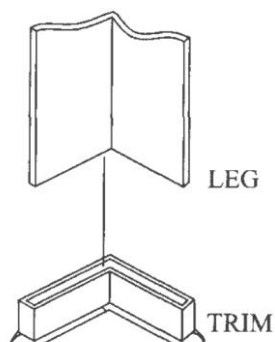
Insert eight M6*20 bolts and washers through holes in leg and shelf, place washers and M6 lock washers and nuts over bolts and tighten.

Tighten leg bolts and level cabinet.



Cabinet Leg Trim Moulding:

Enclosed are four trim mouldings for the bottom of the cabinet legs. They may be pushed into place by hand.



3. BEFORE USE

Prior to each use conduct a visual inspection checking for abnormal conditions, such as cracked welds, leaks, and damaged, loose, or missing parts.

4. OPERATION

Located at the right front of the cabinet is a fitting for the air hose from your compressor. Your workshop compressor 3/8" ID air hose connects to this fitting on the cabinet which is connected to the air inlet of power gun. The abrasive pickup tube connects to a clear siphon hose which also leads to the gun head assembly. Connect your air hose to the bottom fitting on the cabinet by screwing into place (use Teflon tape or pipe compound – **do not over tighten**). Close the door and pull trigger a few times to test operation. You are now ready to add abrasive.

Add suitable abrasive by pouring through side door opening and allowing it to fill funnel area. Do not over fill – **1/2 full below work area screen is best**. Push the abrasive suction tube into the abrasive particles.

NOTE: Use a fine grade of abrasive to prevent clogging. We recommend straining through a double layer of ordinary window flyscreen mesh. If it passes through the screen, it will pass through the nozzle. You are now ready to start blasting

Abrasive can be re-used until it eventually breaks down or becomes dusty. To discard worn abrasive simply place empty box under spring loaded trap door. Add more abrasive and resume blasting.

Place parts to be blasted into cabinet and close door. With hands in cabinet gloves aim air power gun at object. Pull trigger and let our unique siphon recycling system do the rest. Rust, paint and scale are quickly removed leaving the original metal clean and intact. Abrasive drops to the bottom of cabinet for continual recycling each time power gun is activated.

Your workshop vacuum connects to vacuum ferrule when it is necessary to remove the dust created in blasting. When using a workshop vacuum, be sure to install the paper filter over the standard filter. Otherwise, abrasive could work its way into the vacuum motor, causing bearing failure.

5. INSPECTION

Prior to each use conduct a visual inspection checking for abnormal conditions, such as cracked welds, leaks, and damaged, loose, or missing parts.

6. STORAGE

This Blasting Cabinet should always be stored in a dry location on a level surface.

7. MAINTENANCE

Abrasive can be re-used until it eventually breaks down or becomes dusty. To discard worn abrasive simply place empty box under spring loaded trap door. Add more abrasive and resume blasting. Ensure equipment is wiped clean inside and out regularly.

8. SERVICE & REPAIR

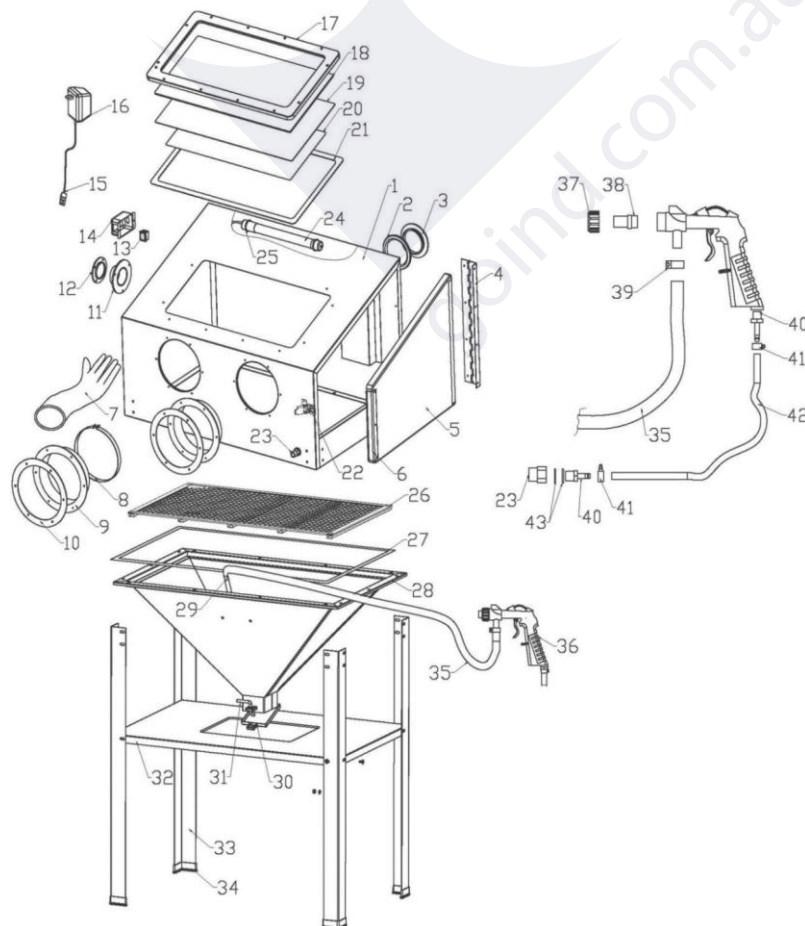
Any Blasting Cabinet found damaged in any way, or found to be worn or operates abnormally should be removed from service until repaired by an authorised service agent. Owners and / or operators should be aware that repair of this product may require specialised equipment and knowledge. Only authorised parts, labels, decals shall be used on this equipment. Annual inspection of the Blasting Cabinet is recommended and can be made by an authorised repair facility to ensure that your equipment is in optimum condition and that the equipment has the correct decals and safety labels specified by the manufacturer.

PARTS LIST

Item	Description	Qty
1	Cabinet	1
2	Guard ring – intake vent	1
3	Cover – behind intake vent	1
4	Hinge	1
5	Plastic door	1
6	Metal liner	1
7	Gloves, 1 x pair	1
8	Clamp for gloves	2
9	Mounting ring – gloves	2
10	Rubber insert	2
11	Suction flange	1
12	Cover of suction flange	1
13	Switch	1
14	Switch box low voltage	1
15	Plug low voltage	1
16	Adaptor (Transformer)	1
17	Plastic frame	1
18	Plexiglass	1
19	Glass	1
20	Protection film	1
21	Sealant cotton	1
22	Knob (Latch)	1

Item	Description	Qty
23	Air adapter nut	1
24	Light low voltage	1
25	Light clamp	2
26	Steel screen (Grill)	1
27	Sealant cotton	1
28	Cabinet funnel (Hopper)	1
29	Abrasive suction pipe	1
30	Abrasive removal cover	1
31	Cover lock	1
32	Shelf	1
33	Legs	4
34	Feet (Trim mouldings)	4
35	Abrasive intake hose	1
36	Abrasive gun	1
37	Nozzle adapter nut	1
38	Nozzle (tip)	4
39	Clamp (φ20)	1
40	Air hose adapter	2
41	Clamp (φ10-φ13)	2
42	Air hose	1
43	Flat washer	2

PARTS LIST DIAGRAM



WARRANTY

TradeQuip products have been carefully tested and inspected before shipment and are guaranteed to be free from defective materials and workmanship for a period of 12 months from the date of purchase except where tools are hired out when the guarantee period is ninety days from the date of purchase.

Should the machine develop any fault, please return the complete tool to your nearest authorised warranty repair agent or contact TQB Brands Pty Ltd Warranty team – warranty@tqbbrands.com.au.

If upon inspection it is found that the fault occurring is due to defective materials or workmanship, repairs will be carried out free of charge. This guarantee does not apply to normal wear and tear, nor does it cover any damage caused by misuse, careless or unsafe handling, alterations, accident, or repairs attempted or made by any personnel other than the authorised TQB Brands Pty Ltd repair agent.

This guarantee applies in lieu of any other guarantee expressed or implied and variations of its terms are not authorised.

Your TQB Brands Pty Ltd guarantee is not effective unless you can produce upon request a dated receipt or invoice to verify your proof of purchase within the 12 month period.

Consumer Guarantee

Our goods come with a guarantee that cannot be excluded under the Australian Consumer Law. You are entitled to a replacement or refund for a major failure and compensation for any other reasonably foreseeable loss or damage. You are also entitled to have the goods repaired or replaced if the goods fail to be of acceptable quality and the failure does not amount to a major failure.



All images and illustrations shown are for reference purposes only. All information, specifications and illustrations in this manual are based on the latest information available at the time of publication and are subject to change without notice. The information in this manual is periodically revised to ensure the latest information is included. Download the latest version of this manual and other related technical documentation from www.tqbbrands.com.au.